



FSH-120-04-F-RA-SL



FSH-110-04-L-DH-SL



SFMH-130-02-L-D-LC



SFMH-105-02-L-D-LC



SFMH-120-02-L-D

FSH-120-04-F-DH



FSH, SFMH SERIES

(1.27 mm) .050"

HIGH-RELIABLE HORIZONTAL SMT

FSH Mates with:
SFMH
Mates with:
FTSH, FSH

SPECIFICATIONS

For complete specifications see www.samtec.com?FSH or www.samtec.com?SFMH

Insulator Material:
Black Liquid Crystal Polymer
Terminal Material:
Phosphor Bronze

Plating:

FSH = Sn or Au over 50 μ m (1.27 μ m) Ni
SFMH = Au over 50 μ m (1.27 μ m) Ni

Current Rating (FSH/SFMH):
2.6 A per pin
(2 pins powered)

Operating Temp Range:
-55 °C to +125 °C

Insertion Depth:
SFMH = (3.35 mm) .132" to (4.57 mm) .180"

RoHS Compliant:
Yes

PROCESSING

Lead-Free Solderable:
Yes (FSH)

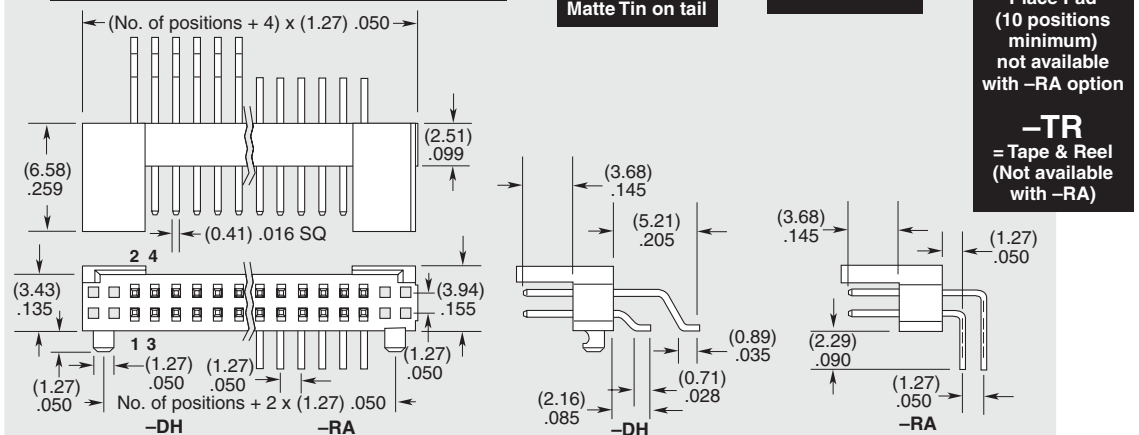
SMT Lead Coplanarity:
(0.10 mm) .004" max (SFMH)
(0.15 mm) .006" max (FSH)*
*(.004" stencil solution may be available; contact IPG@samtec.com)

RECOGNITIONS

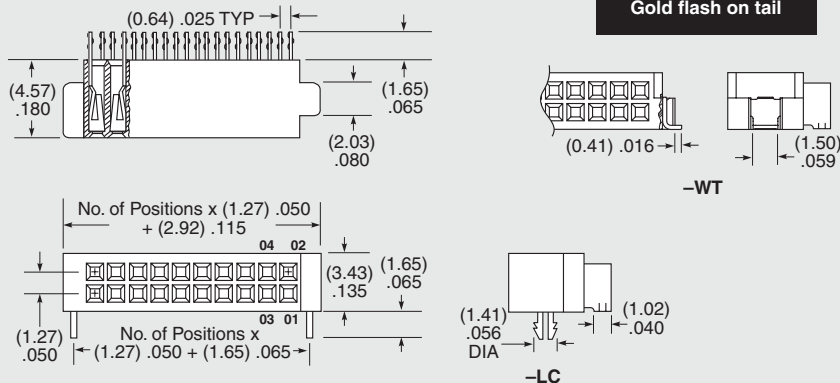
For complete scope of recognitions see www.samtec.com/quality



05, 10, 15, 20, 25
(-DH Option)
05, 10, 15, 20, 25, 30, 35, 40, 45
(-RA Option)
(Standard sizes)



05, 10, 15, 20, 25, 30, 35, 40, 45, 50



APPLICATIONS



Note:
Some sizes, styles and options are non-standard, non-returnable.

Due to technical progress, all designs, specifications and components are subject to change without notice.

WWW.SAMTEC.COM

All parts within this catalog are built to Samtec's specifications.
Customer specific requirements must be approved by Samtec and identified in a Samtec customer-specific drawing to apply.

Mouser Electronics

Authorized Distributor

Click to View Pricing, Inventory, Delivery & Lifecycle Information:

Samtec:

[FSH-110-04-L-DH-SL](#) [FSH-145-04-L-RA-SL](#) [FSH-105-04-L-DH-SL](#) [FSH-120-04-L-DH-SL](#) [FSH-110-04-L-RA-SL](#)
[FSH-105-04-L-RA](#) [FSH-105-04-L-DH](#) [FSH-105-04-L-RA-SL](#) [FSH-105-01-L-DH-SL](#) [FSH-110-02-L-DH](#) [FSH-110-04-L-DH](#) [FSH-125-01-L-DH-SL-C-TR](#) [FSH-110-02-F-DH](#) [FSH-110-02-F-DH-TR](#) [FSH-125-01-L-DH-SL-TR](#) [FSH-125-02-F-DH](#) [FSH-110-01-L-DH-SL-C-TR](#) [FSH-105-01-F-DH-SL-TR](#) [FSH-110-01-L-DH-SL](#) [FSH-115-01-L-DH-SL-C-TR](#) [FSH-115-04-F-DH](#) [FSH-125-01-L-DH-SL](#) [FSH-105-01-F-DH-SL](#) [FSH-105-01-F-RA](#) [FSH-110-01-F-DH-SL](#) [FSH-115-01-L-DH-SL](#) [FSH-118-01-F-DH-SL-C-TR](#) [FSH-118-01-F-DH-SL-TR](#) [FSH-115-01-L-DH-SL-TR](#) [FSH-118-01-F-RA](#) [FSH-125-04-L-DH-SL](#) [FSH-120-01-L-RA](#) [FSH-115-04-L-DH-SL](#) [FSH-118-01-F-DH-SL-C](#) [FSH-130-01-L-RA](#) [FSH-105-02-F-DH](#) [FSH-105-02-F-DH-TR](#) [FSH-105-03-F-RA](#) [FSH-105-04-F-DH-SL](#) [FSH-118-01-F-DH-SL](#) [FSH-105-04-F-RA-SL](#) [FSH-105-04-L-DH-TR](#) [FSH-108-04-L-RA](#) [FSH-110-04-L-DH-C-TR](#) [FSH-110-04-LM-DH-SL](#) [FSH-115-04-L-DH-SL-C-TR](#) [FSH-110-02-L-DH-SL](#) [FSH-116-02-L-DH-SL](#) [FSH-115-04-L-RA](#) [FSH-110-04-F-DH-C](#) [FSH-110-04-FM-DH](#) [FSH-110-04-F-RA-SL](#) [FSH-108-04-F-DH-SL](#) [FSH-106-04-L-DH](#) [FSH-110-04-L-DH-SL-C](#) [FSH-115-04-LM-RA](#) [FSH-105-04-L-DH-SL-TR](#) [FSH-110-04-LM-DH-SL-TR](#) [FSH-105-01-L-DH](#) [FSH-108-04-F-DH](#) [FSH-115-04-F-RA-SL](#) [FSH-105-04-LM-DH-SL](#) [FSH-115-01-L-RA](#) [FSH-115-04-F-RA](#) [FSH-110-04-L-DH-SL-C-TR](#) [FSH-105-04-F-DH-SL-TR](#) [FSH-110-04-L-DH-TR](#) [FSH-115-04-L-DH-C-TR](#) [FSH-115-04-L-DH-C](#) [FSH-115-04-LM-DH-SL](#) [FSH-108-01-F-DH](#) [FSH-125-04-L-RA](#) [FSH-110-01-L-DH-C](#) [FSH-110-04-F-DH-SL](#) [FSH-125-04-F-DH-C](#) [FSH-140-04-L-RA-SL](#) [FSH-145-04-L-RA](#) [FSH-120-04-L-DH](#) [FSH-120-04-L-DH-SL-TR](#) [FSH-140-04-L-RA](#) [FSH-108-04-L-DH-SL-TR](#) [FSH-120-04-F-RA-SL](#) [FSH-115-04-F-DH-SL-C](#) [FSH-105-01-L-DH-SL-TR](#) [FSH-130-04-F-RA](#) [FSH-110-04-F-DH](#) [FSH-110-04-F-RA](#) [FSH-125-01-L-DH](#) [FSH-125-04-F-DH-SL](#) [FSH-107-04-L-RA](#) [FSH-120-04-F-DH-SL-C-TR](#) [FSH-120-04-L-DH-SL-C-TR](#) [FSH-108-04-L-DH-SL](#) [FSH-110-04-L-RA](#) [FSH-115-04-L-DH](#) [FSH-120-04-F-DH-SL](#) [FSH-125-04-L-DH](#) [FSH-105-04-F-DH](#) [FSH-115-03-L-DH-SL](#) [FSH-115-04-F-DH-SL](#)