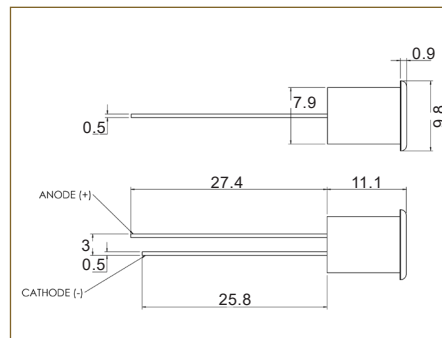


514 23-LED series

Product overview

- Current rating 10mA
- Press-fit body for various panel thickness, panel cut-out 8.0mm diameter
- Polycarbonate Lens and Nylon Body/Bezel
- Red, green, amber, and blue lens colour options as standard
- Maximum working temperature 105°C



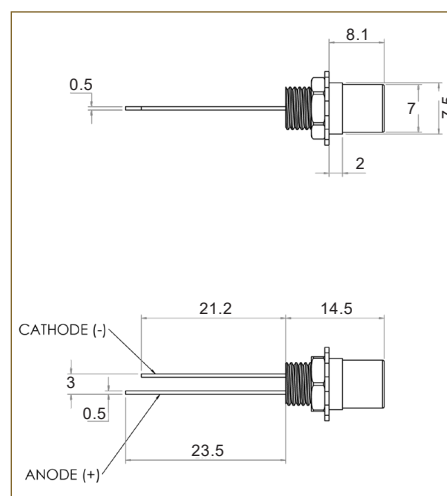
PART NO.	IND514	X	XX-	XXX-	T/	XXX
515 series indicator	514					
Lens type	1					
Pin termination	13					
LED, anode pin cut short	LED					
Transparent lens	T					
Lens colour: red	RED					
Lens colour: green	GRN					
Lens colour: amber	AMB					
Lens colour: blue	BLU					

E.g. IND514113-LED-T/GRN

509 M-LED series

Product overview

- Threaded body for panel thicknesses 0.5-2.5mm, panel cut-out 6.5mm diameter
- Polycarbonate lens with 65° viewing angle
- Nickel plated brass body, supplied with nut and shakeproof washer
- Red, green and amber lens colour options as standard
- Maximum working temperature 80°C



PART NO.	IND509	X	XX-	XXX-	T/	XXX
509 series indicator	509					
Lens cylinder flat	1					
Lens cylinder domed	2					
Pin termination	13					
LED, anode pin cut short	LED					
Transparent lens	T					
Lens colour: red	RED					
Lens colour: green	GRN					
Lens colour: amber	AMB					

E.g. IND509113-LED-T/RED

