

**PLEASE CHECK WWW.MOLEX.COM FOR LATEST PART INFORMATION**

**Part Number:** **2004490001**  
**Status:** **Active**  
**Overview:** EdgeLock Wire-to-Edge-Card Signal System  
**Description:** 2.00mm Pitch EdgeLock Crimp Terminal, Phosphor Bronze, Tin (Sn) Plating,Reel

**Documents:**

[Drawing \(PDF\)](#)                                      [Packaging Specification 2004490001PK-000 \(PDF\)](#)  
[Product Specification 2008900001PS-000 \(PDF\)](#)                                      [RoHS Certificate of Compliance \(PDF\)](#)

**General**

Product Family                                      Crimp Terminals  
Series    200449  
Application    Signal, Wire-to-Board  
Crimp Quality Equipment                                      Yes  
Overview    EdgeLock Wire-to-Edge-Card Signal System  
Product Name    EdgeLock  
UPC    889056469395

**Physical**

Durability (mating cycles max)                                      30  
Gender    N/A  
Material - Metal    Phosphor Bronze  
Material - Plating Mating    Tin  
Material - Plating Termination    Tin  
Net Weight    47.042/mg  
Packaging Type    Reel  
Plating min - Mating    1.000µm  
Plating min - Termination    1.000µm  
Termination Interface: Style    Crimp or Compression  
Wire Insulation Diameter    1.10-1.40mm  
Wire Size AWG    22, 24  
Wire Size mm<sup>2</sup>    N/A

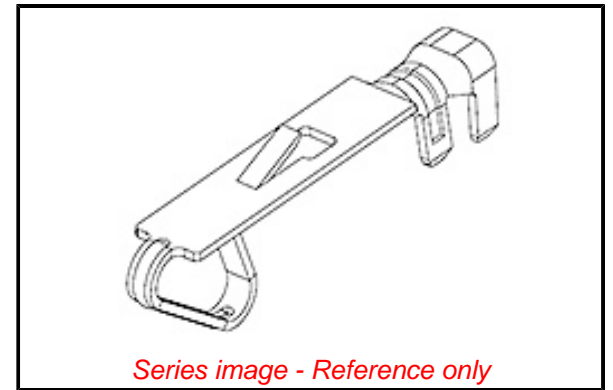
**Electrical**

Current - Maximum per Contact                                      3.0A  
Voltage - Maximum    125V

**Material Info**

**Reference - Drawing Numbers**

Crimp Specification                                      2004490001CS-000  
Packaging Specification                                      2004490001PK-000  
Product Specification                                      2008900001PS-000  
Sales Drawing    2004490001-000



**EU ELV**

**Not Relevant**

**EU RoHS**

**Compliant**

**China RoHS**

**REACH SVHC**

Not Contained Per -  
D(2021)4569-DC (8  
July 2021)

**Halogen-Free**

**Status**

**Low-Halogen**

For more information, please visit [Contact US](#)

China ROHS

Green Image

ELV

Not Relevant

RoHS Phthalates

Not Contained

**Search Parts in this Series**

200449 Series

**Use With**

EdgeLock Edge Card Connector [200890](#)

**Application Tooling | FAQ**

*Tooling specifications and manuals are found by selecting the products below. Crimp Height Specifications are then contained in the Application Tooling Specification document.*

**Global**

| Description  | Product #                  |
|--|----------------------------|
| Hand Crimp Tool for EdgeLock Crimp Terminals, 24 AWG | <a href="#">2002182800</a> |
| Hand Crimp Tool for EdgeLock Crimp Terminals, 22 AWG | <a href="#">2002182900</a> |
| Extractor Tool for CTX64 Female Crimp Terminals      | <a href="#">638135700</a>  |
| FineAdjust Applicator for EdgeLock Crimp             | <a href="#">639039800</a>  |

Terminal, 24 AWG,  
UL1061 wire  
FineAdjust Applicator [639039900](#)  
for EdgeLock Crimp  
Terminal, 24 AWG,  
UL1007 wire

This document was generated on 12/08/2021

**PLEASE CHECK [WWW.MOLEX.COM](http://WWW.MOLEX.COM) FOR LATEST PART INFORMATION**

# Mouser Electronics

Authorized Distributor

Click to View Pricing, Inventory, Delivery & Lifecycle Information:

[Molex:](#)

[200449-0001](#)