

EMI/EMC FILTER

RIS SERIES



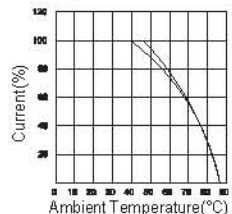
FEATURES

- A fuse holder with double fuse and power ON/OFF switch.
- Suitable for the products that must conform to FCC, FTZ.
- Good shield effect by using metal case.
- Meet over voltage category II of IEC 60664 and comply with IEC 60950.
- Uses IEC connector that meets the safety standards of virtually all certifying organization.

APPLICATIONS

- Digital equipments.
- Measuring and testing instruments.
- Communication equipment.

SPECIFICATIONS

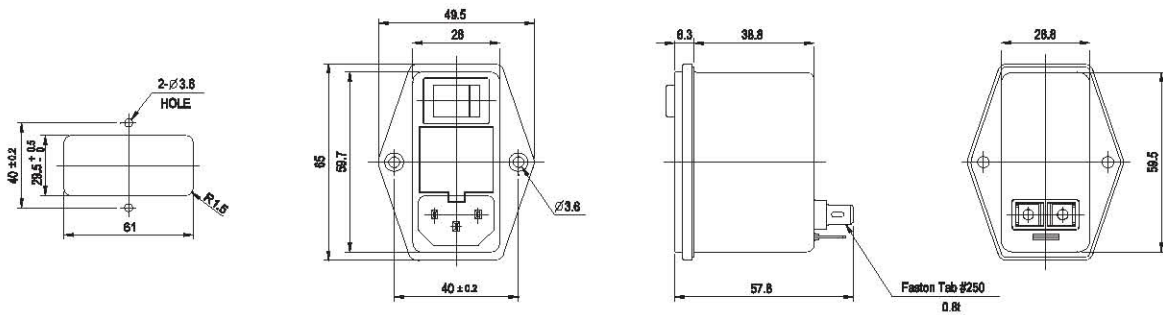
| Model | Rated Voltage (AC,DC) | Rated Current | Leakage Current (250V AC) | Temperature Rise | Operating Temperature |
|-------------|-----------------------|---------------|---------------------------|------------------|---|
| RIS-02**H* | 250V | 2A | - | 40°C max. | -25°C to + 85°C Including temperature rise  |
| RIS-04**H* | 250V | 4A | - | 45°C max. | |
| RIS-06**H* | 250V | 6A | - | 45°C max. | |
| RIS-***0-H* | - | * | 0.01mA max. | - | |
| RIS-***C-H* | - | * | 0.075mA max. | - | |
| RIS-***D-H* | - | * | 0.10mA max. | - | |
| RIS-***2-H* | - | * | 0.35mA max. | - | |
| RIS-***3-H* | - | * | 0.50mA max. | - | |

Note : Test Voltage : 1500VAC one minute line to earth.
 Insulation Resistance : 300 Mohm min, at 500V DC.
 Voltage Drop : 1V max. at rated current.
 Weight : 130g
 Inlet : Compatible with IEC-60320

Model Number Construction

| RI | S | 02 | 4 | 2 | H | 0 |
|--------------------------------------|---|---|---|---|--|---|
| Input Connector I : IEC Connector | Special Design S : Screw Mounting/ With Double Pole Switch and Double Fuse | Current Rating : AC rms 02 : 2amp 04 : 4 amp 06 : 6amp | Line-Line Cap.Value (Input side) 1 : 0.1 μ F 2 : 0.22 μ F 4 : 0.47 μ F | Line-Gnd Cap.Value 2 : 2200 μ F 3 : 3300 μ F C : 330 μ F D : 470 μ F 0 : None | Output Terminal style H : Faston Tab #250 | Line-Line Cap.Value (Output side) 0 : None 2 : 0.22 μ F |

Shapes and Dimensions



* Panel Cutout dimensions
(mount from frontside)

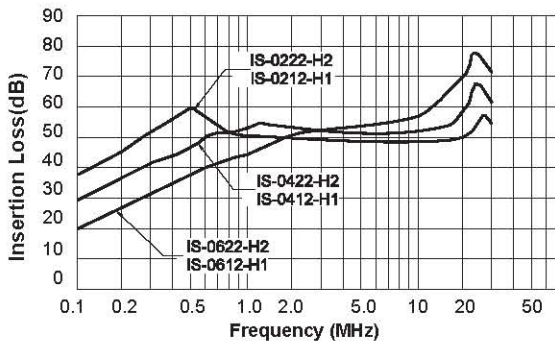
* General tolerance : ± 0.5

* Unit : mm

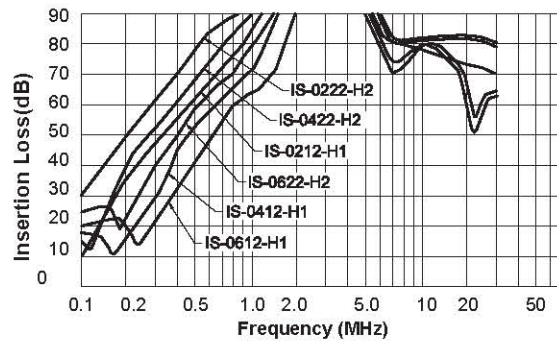
* Metal Case

Attenuation Characteristics

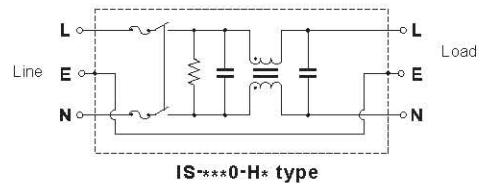
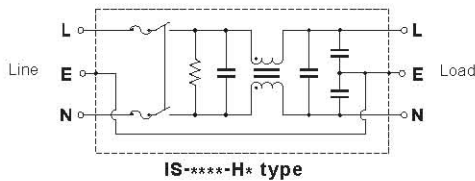
● Common Mode (IS-02/04/06*2-H*)



● Differential Mode (IS-*** 22-H2)



● Circuit Diagram



● Measurement configuration

