

# 313 & 314

safety relief valve



**WRAS**  
APPROVED  
PRODUCT



**altecnic**

# 313 & 314 safety relief valve



series 313



series 314

## Application

The Altecnic series 313 and 314 safety relief valves with pressure gauge are used in domestic hot water systems to protect the hot water cylinder and in heating systems to protect boiler and other components.

The valve is selected for the required set pressure. As the pressure rises, when the discharge pressure is reached the valve opens and discharges to atmosphere, preventing the pressure within the system reaching levels which would be dangerous for the boiler, hot water storage cylinder and any personnel in the adjacent vicinity.

## Construction Details

Component	Material	Grade
Body	Brass	BS EN 12165 CW617N
Cover	Brass	BS EN 12165 CW617N
Stem	Brass	BS EN 12164 CW614N
Diaphragm	EPDM	
Spring	Stainless steel	
Control Knob	ABS Polymer	

Product Code	Set Pressure bar	Discharge Pressure bar	Re-Seating Pressure bar	Discharge Flowrate kg/hr	Max Boiler Rating kW
--------------	------------------	------------------------	-------------------------	--------------------------	----------------------

### Series 313 Range

313425	2.5	3.0	2.0	124.4	72.3
313430	3	3.6	2.4	142.1	82.5
313460	6	7.2	4.8	248.8	144.6
313470	7	8.4	5.6	284.3	165.2
313480	8	9.6	6.4	322.7	187.5
313525	2.5	3.0	2.0	124.4	72.3
313530	3	3.6	2.4	142.1	82.5
313560	6	7.2	4.8	248.8	144.6
313570	7	8.4	5.6	284.3	165.2
313580	8	9.6	6.4	322.7	187.5

### Series 314 Range

A314437CST	3	3.6	2.4	142.1	82.5
314425	2.5	3.0	2.0	124.4	72.3
314430	3	3.6	2.4	142.1	82.5
314460	6	7.2	4.8	248.8	144.6
314470	7	8.4	5.6	284.3	165.2
314480	8	9.6	6.4	322.7	187.5

## CE Mark

Series 313 & 314 safety relief valves meet the requirements of the European Directive 97/23/CE for pressurised equipment often referred to PED.

They are therefore classified in Category IV and granted the CE Mark.

## E & O.E

Altecnic Ltd Mustang Drive, Stafford, Staffordshire ST16 1GW

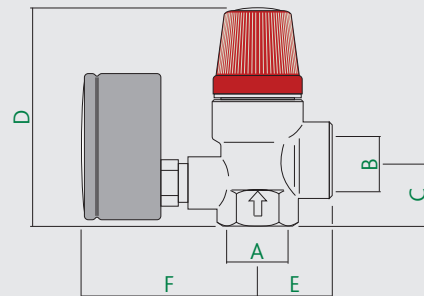
T: +44 (0)1785 218200 E: sales@altecnic.co.uk

Registered in England No: 2095101

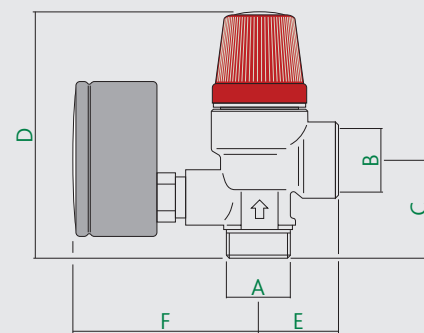
altecnic.co.uk

AL 003 26-07-11

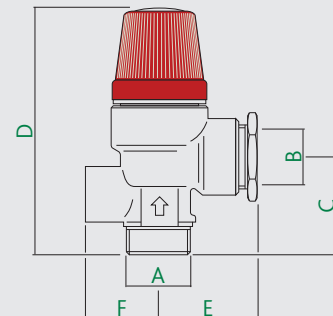
## Dimensions



Prod Code	A	B	C	D	E	F	kg
3134	G $\frac{1}{2}$	G $\frac{1}{2}$	22	72	26	61	0.15
3135	G $\frac{3}{4}$	G $\frac{3}{4}$	24	75	28	61	0.18



Prod Code	A	B	C	D	E	F	kg
3144	G $\frac{1}{2}$ B	G $\frac{1}{2}$	32	78	26	61	0.24



Prod Code	A	B	C	D	E	F	kg
A314437CST	G $\frac{1}{2}$ B	15mm	32	78	32	30	0.21

## Technical Data

Medium:	water and air
Temperature range:	5 to 110°C
Set pressure range:	2.5 to 8 bar
Max. static pressure:	10 bar
PED category:	IV
WRAS approved product	