

**EM2525 Series  
EuroMag Terminal Blocks**

Pluggable Block (Mates with EM2535 Series); 5.00 Centers

**SPECIFICATIONS**

- Rating:** 16A, 300V
- Center Spacing:** 0.197" (5.00mm)  
Consult factory for 0.394" (10.00mm)
- Wire Range:** #12-24 AWG
- Housing Material:** UL rated 94V0 Thermoplastic
- Contact Material:** Brass Tin-Plated
- Screw Size:** M3.0 Zinc-Plated Steel
- Operating Temperature:** 105°C (221°F) max., -40°C (-40°F) min.
- Torque Rating:** 7 lb-in.
- Construction:** Mold-to-Length
- Connector Style:** Rising Cage and Screw
- Agency Information:** File E62622; CE Certified

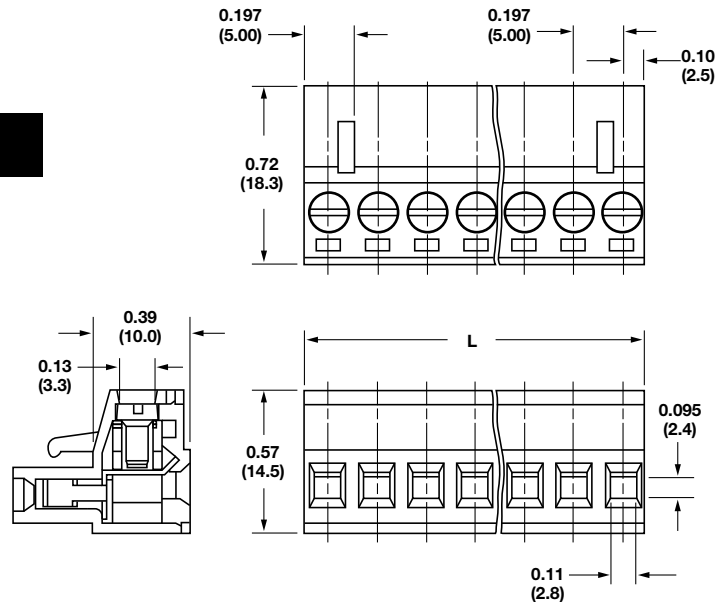


EM252503

Poles	L (mm)	Poles	L (mm)
02	10.0	14	70.0
03	15.0	15	75.0
04	20.0	16	80.0
05	25.0	17	85.0
06	30.0	18	90.0
07	35.0	19	95.0
08	40.0	20	100.0
09	45.0	21	105.0
10	50.0	22	110.0
11	55.0	23	115.0
12	60.0	24	120.0
13	65.0		

To convert to inches, divide by 25.4

**Dimensions - in (mm)**



Terminal Blocks:  
Single Row

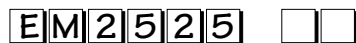
EuroMag Series  
Plug & Header

Edge Connectors,  
One-Sided Boards

Compliance  
References

**Part Numbering System**

Series # of Positions



02 to 24

Mating Header: EM2535 pg. 88

# Mouser Electronics

Authorized Distributor

Click to View Pricing, Inventory, Delivery & Lifecycle Information:

## Eaton:

[EM252502](#) [EM252503](#) [EM252504](#) [EM252506VL](#) [EM252506VR](#) [EM252508](#) [EM252509](#) [EM252509-KIT](#)  
[EM252511](#) [EM252512](#) [EM252513](#) [EM252514](#) [EM252515](#) [EM252505-BKL1](#) [EM252505](#) [EM252520](#) [EM252521](#)  
[EM252507](#) [EM252517](#) [EM252516](#) [EM252523](#) [EM252510](#) [EM252519](#) [EM252522](#) [EM252506](#) [EM252518](#)  
[EM252524](#)