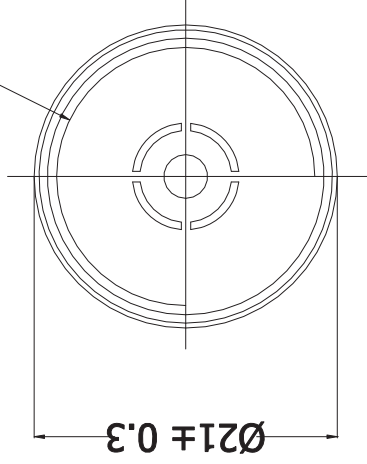
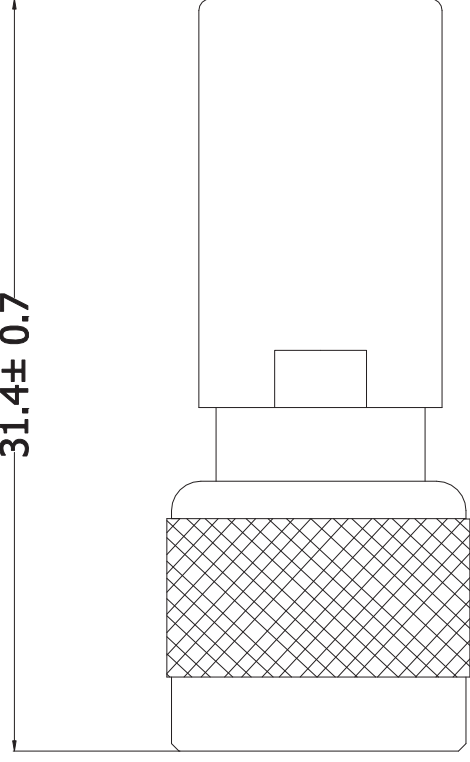


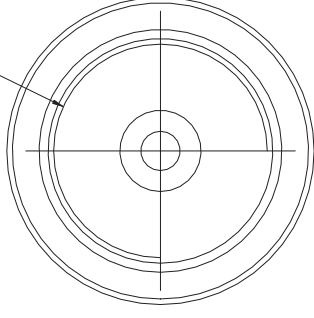
5/8-24UNEF



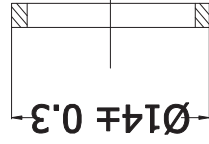
31.4 ± 0.7



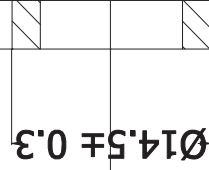
5/8-24UNEF



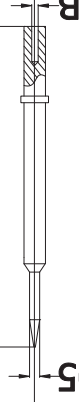
6.4 ± 0.3



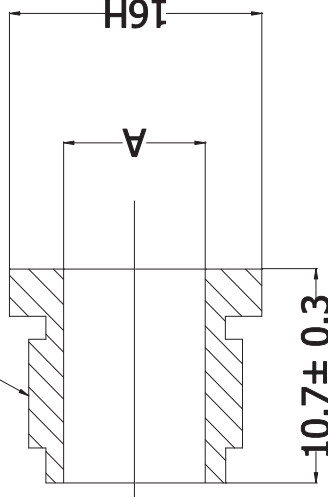
4.5 ± 0.3



18.3 ± 0.3



5/8-24UNEF



	58/U	59/U	6/U
A	Ø5.5	Ø6.5	Ø8.5
B	Ø1.05	Ø1.05	Ø1.2

P/NO.: HYR-0302-XX/U

CUSTOMER: CHIP & DIP

CUST. P/N.: GN-302

APP. Eric UNITS m/m

2008/12/24

CHK. Carmen

DATE 2008/12/24

DATE

DRAW. Christina SHEET 1/1

NEW DRAWING

DESCRIPTION

1.0

VER.NO.

DES.: N MALE CLAMP TYPE

DRAW NO.: GN-302

VER 1.0

HOYUTEC
INTERNATIONAL CO., LTD.