

2-Channel Relay Output Module AC 230 V, DC 30 V

isolated outputs; 2 make contacts

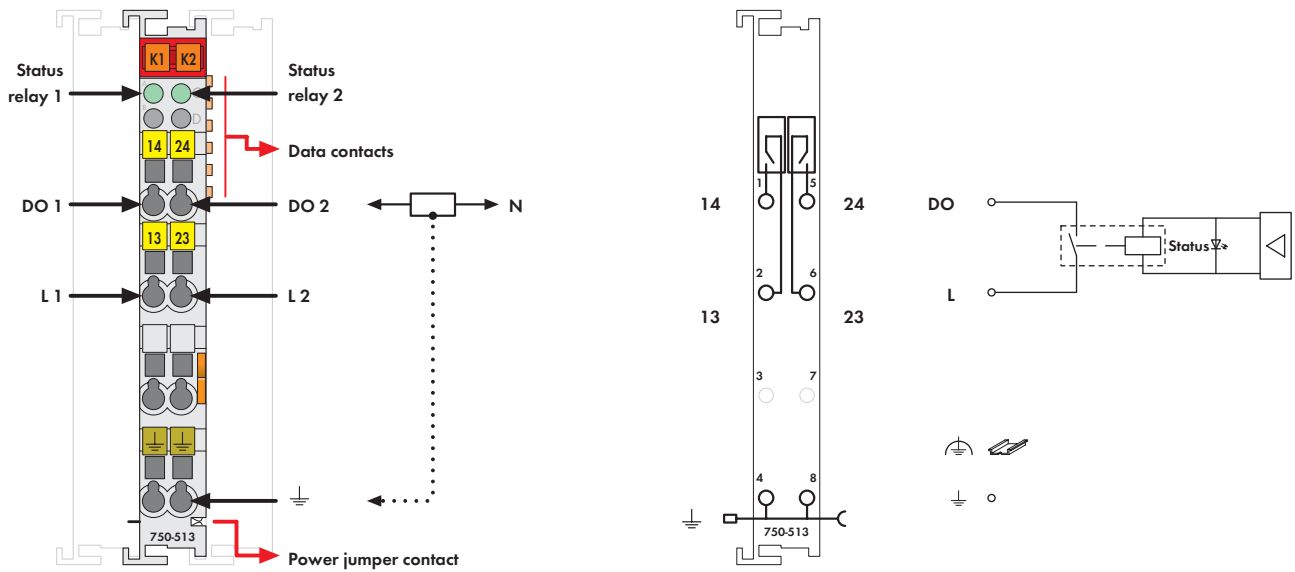


Fig. Series 750 / Technical data see page 30 / Delivery without Mini WSB marker
Series 750 / 753 marking see pages 20 ... 21 / 22 ... 23

The connected load is switched via the digital output (relay contacts) from the control system.

The internal system voltage is used to trigger the relay.

The NO contacts are electrically isolated.

The switched status of the relay is shown by a LED.

Actuators with a ground (earth) wire may be directly connected to the module.

Description	Item no.	Pack. unit
2DO 230V AC 2.0A/ Relay 2NO/ Potential Free	750-513	10 ¹⁾
2DO 230V AC 2.0A/ Relay 2NO/ Potential Free / without power jumper contacts	750-513/000-001	1
2DO 230V AC 2.0A/ Relay 2NO/ Potential Free (without connector)	753-513	10 ¹⁾
¹⁾ Also available individually		
Accessories	Item no.	Pack. unit
Connectors Series 753	753-110	25
Coding elements	753-150	100
Miniature WSB Quick marking system		
plain	248-501	5
with marking	see pages 214 ... 215	
Approvals		
Series 750 and 753		
• UL 508		
Conformity marking	CE	
Series 750		
Marine applications	see pages 24 ... 27	
• EN 50021	II 3 G EEx nC II C T4	

Technical Data	
No. of outputs	2 make contacts
Current consumption max (internal)	100 mA
Switching voltage	AC 250 V / DC 30 V
Switching power	500 VA / 60 W (resistive load)
	cos φ max. = 0.4; L/R max = 7 ms
Switching current min	10 mA / 5 V DC
Switching current max	AC / DC 2 A
Switching rate max.	30 / min (at nominal load)
Pull-in time max.	10 ms
Bounce time typ	1.2 ms
Drop-out time max.	10 ms
Contact material	Silver alloy
Mechanical life	2 x 10 ⁷ switching operations
Electrical life	3 x 10 ⁵ switching operations
	(AC 2 A / 250 V) or (DC 2 A / 30 V)
Isolation	1.5 kV eff. (field/system)*;
	* 2.5 kV rated surge voltage;
	Overvoltage category III
Internal bit width	2 bits
Wire connection	CAGE CLAMP®
Cross sections	0.08 mm ² ... 2.5 mm ² / AWG 28 ... 14
Stripped length series 750 / 753	8 ... 9 mm / 0.33 in
	9 ... 10 mm / 0.37 in
Width	12 mm
Weight	approx. 55 g
EMC CE-Immunity to interference	acc. to EN 50082-2 (1996)
EMC CE-Emission of interference	acc. to EN 50081-1 (1993)
EMC marine applications -	
Immunity to interference	acc. to Germanischer Lloyd (1997)
EMC marine applications -	
Emission of interference	acc. to Germanischer Lloyd (1997)