

MOMENTARY ACTION COMMERCIAL GRADE LED ILLUMINATED & WATERTIGHT SEALED

The OTTO LP9 Lighted Dome series is a quality precision switch designed for use in panels, control grips, instruments, heavy equipment and other demanding applications where attractive, rugged, lighted pushbutton switches are required.

The LP9 series offers a positive tactile feedback, signaling the operator when the switch is operated with the added benefit of reliable LED illumination. The LP9 series offers four button versions; flush and raised profile with either a glossy or matte finish. It also comes with a threaded case for hex nut mounting while providing a short behind panel depth.

The LP9 series is constructed to meet IP68S watertight seal. Expect 25,000 operations at full rated load of 5 amps resistive or 3 amps inductive; 500,000 operations at 500mA/200mA resistive.

The LP9 series are momentary snap-action double break switches, available in standard and low operate forces. The LED is available in five colors and has the ability to accommodate 2 or 12VDC.

Features:

- **Watertight to IP68S**
- **LED lighted with the ability to accommodate 2 or 12VDC**
- **LED available in 6 colors**
- **Flush & raised button style**
- **Matte or glossy button finish**
- **Positive tactile feedback contact transfer**
- **Withstands extreme shock & vibration**
- **Short behind panel depth**
- **RoHS/WEEE/Reach compliant**

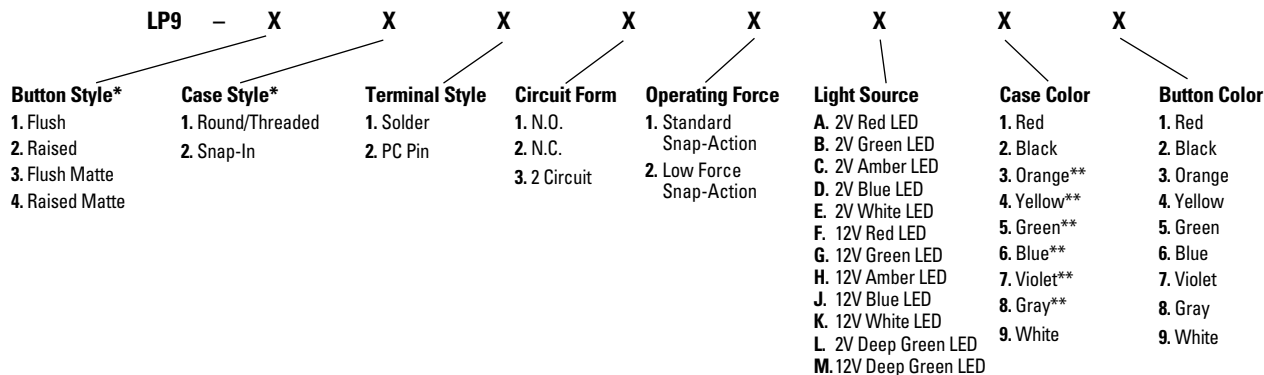


Flush Dome

Also available with
Raised Dome

| Standard Characteristics/Ratings: | | | |
|---|-----------------------------|---|-----------------|
| ELECTRICAL RATINGS: Sea Level @ 28VDC or 115VAC, 60/400Hz | | | |
| Load | N.O./N.C. | Cycles | Operating Force |
| Resistive | 5A | 25,000 | Standard |
| Inductive | 3A | 25,000 | Standard |
| Resistive | 500mA | 500,000 | Standard |
| Resistive | 200mA | 500,000 | Low or Standard |
| DWV 1050Vrms through switch contacts only | | | |
| Low Level | 10mA @ 30mV | 25,000 | |
| Electrical Life: | | See Rating Chart | |
| LIGHTING: | | | |
| Light Source Voltage (DC) | Actual Voltage Nominal (DC) | Voltage Max (DC) | |
| 2 | 2 | 2.6 | |
| 12 | 13.5 | 14.5 | |
| Mechanical Life: | | 1,000,000 cycles | |
| Seal: | | IP68S | |
| Operating Temp Range: -55°C to +85°C | | | |
| Operating Force: | | 1.7 +/- 0.5 lb. (standard force) 12 +/- 4 oz (low force) | |
| Total Travel: | | 0.080 inches max | |
| Overtravel: | | 0.010 inches min | |
| MATERIALS: | | | |
| Case: | | Thermoplastic | |
| Button: | | Thermoplastic | |
| Terminals: | | Silver with gold plate | |
| Mounting Hardware: | | Hex nut and lockwasher for round/threaded style case only Panel gasket for snap-in style case only | |

LP9 PART NUMBER CODE

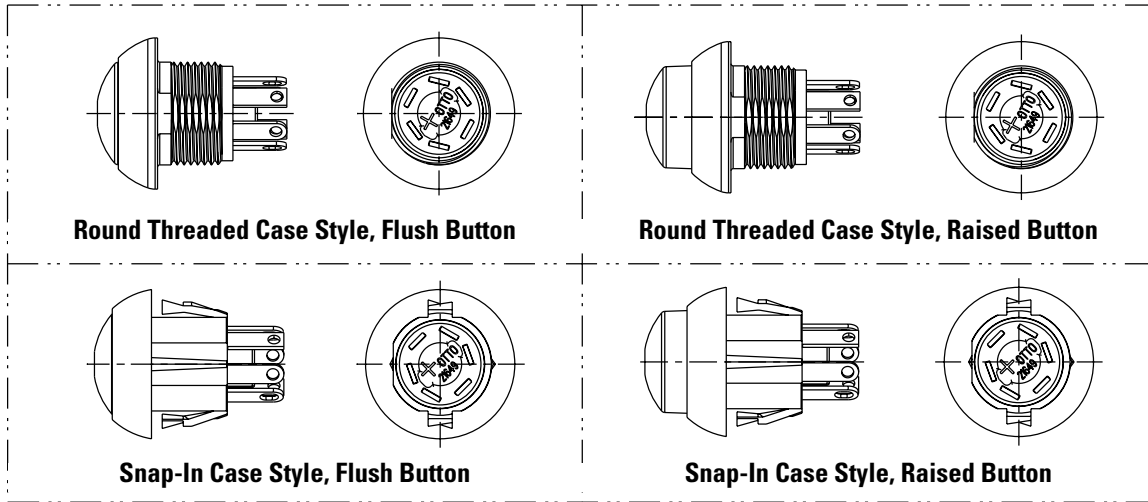


* Button and case will be of the same texture.
For all mixed gloss/matte combination options, contact factory.
** For minimum requirement, contact factory.

ILLUMINATED SEALED DOME PUSHBUTTONS

LP9
ILLUMINATED
PUSHBUTTONS

MOMENTARY ACTION COMMERCIAL GRADE LED ILLUMINATED & WATERTIGHT SEALED

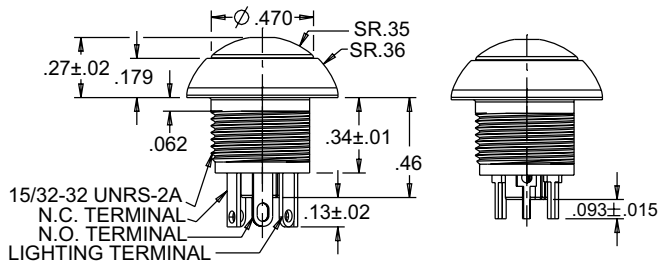


Standard Terminals

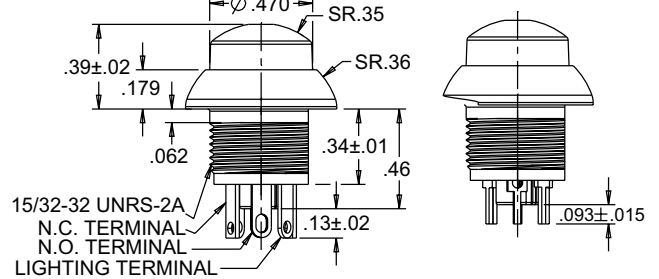
P.C. Terminals

Standard Terminals

P.C. Terminals



FLUSH BUTTON ROUND THREADED



RAISED BUTTON ROUND THREADED

