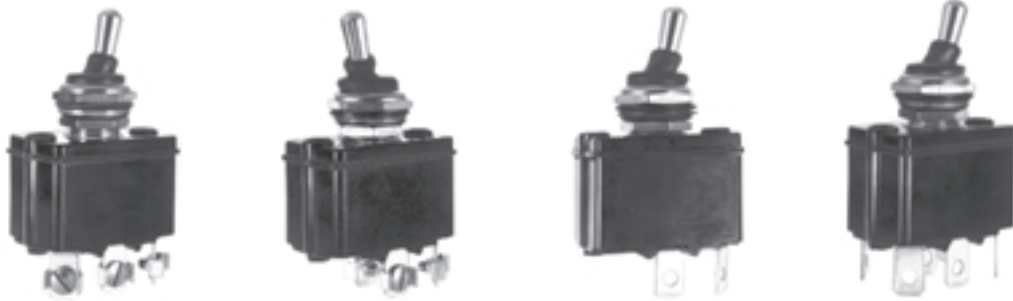


New! 3600NF SERIES - SEALED TOGGLE SWITCHES FOR OUTSIDE APPLICATIONS



FEATURES

- Multiple seals - 'o' ring between lever & bushing, mounted half length boot & nylon washer, case/covergasket, sealing washer and molded-in terminal inserts
- SPDT & DPDT panel mounting models with screw or solder lug/quick-connect terminals.

SPECIFICATIONS

Contact ratings (resistive loads):	12A 28VDC, 6A 250VAC
Initial contact resistance:	10 milliohms maximum at 1 amp 2 VDC
Insulation resistance:	1000 megohms min. at 500 VDC
Dielectric strength:	2500 V rms min. - between terminals, 3000 V rms min - between terminals & metal frame
Electrical life (resistive):	10,000 cycles minimum at full load
Operating temperature range:	-40°C to +85°C
Torque:	1.50 Nm (1.10 ft. lb.) applied to nut
Panel thickness:	5 mm (.196") max.

MATERIALS

Contacts:	Silver
Actuator:	Nickel plated brass
Bushing:	Nickel plated brass
Case:	Phenolic
Hardware:	Supplied with 1/2 length sealing boot & nylon washer, 1 sealing washer & 1 nickel plated hex nut.

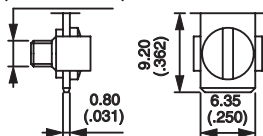
AGENCY RECOGNITION



Availability: consult factory for details of recognized models.

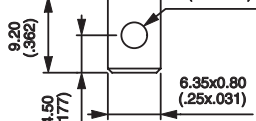
TERMINALS

3.00DIAx0.50 SI
(.118DIAx0.50 IS)



Screw

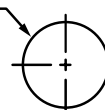
3.10DIA
(.122DIA)



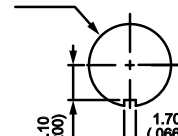
Sold. lug/Quick-connect

PANEL CUT-OUTS

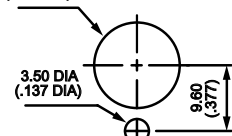
12.50 DIA
(.492 DIA)



12.50 DIA
(.492 DIA)



12.50 DIA
(.492 DIA)



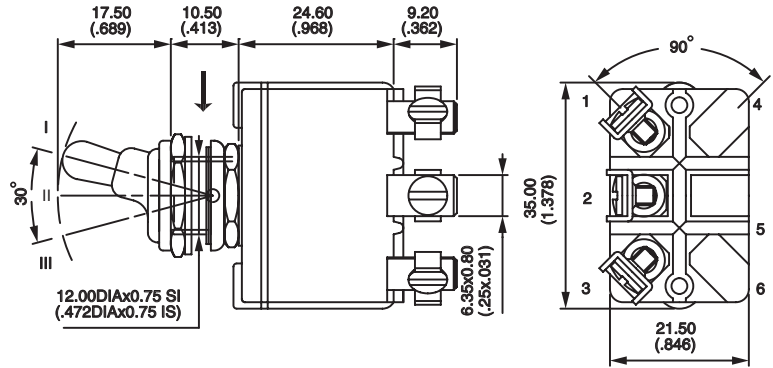
New! 3600NF SERIES - SEALED TOGGLE SWITCHES FOR OUTSIDE APPLICATIONS

A

Screw terminals - single pole



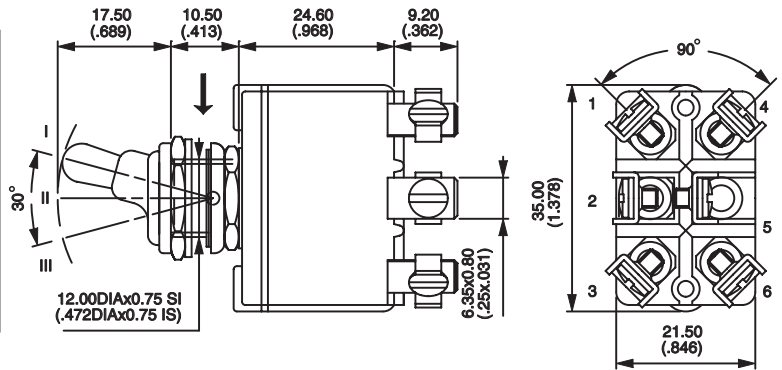
MOD. NO	CIRCUIT
3631NF	ON - OFF
3635NF	MOM - ON
3636NF	ON - ON
3637NF	MOM OFF MOM
3638NF	ON OFF MOM
3639NF	ON OFF ON
Handle pos. (see dwg.) :	I III II 2-1 2-3



Screw terminals - double pole



MOD. NO	CIRCUIT
3641NF	ON - OFF
3644NF*	ON ON ON
3645NF	MOM - ON
3646NF	ON - ON
3647NF	MOM OFF MOM
3648NF	ON OFF MOM
3649NF	ON OFF ON
Handle pos. (see dwg.) :	I III II 2-1 2-3 5-4 5-6

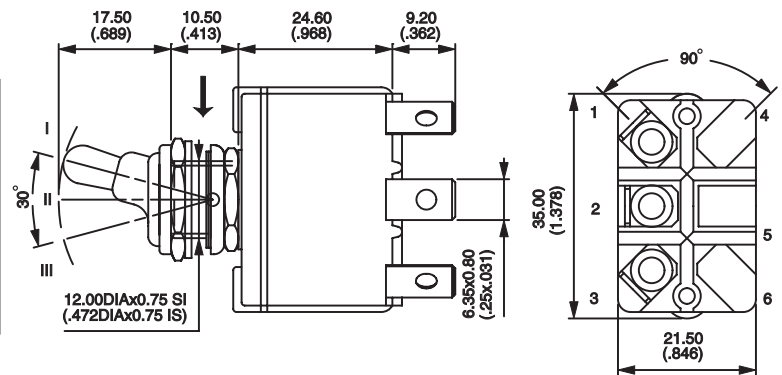


* Function 4: SP in DP case - see specs. for 600H - 600 NH series.

Solder lug/quick-connect terminals - single pole



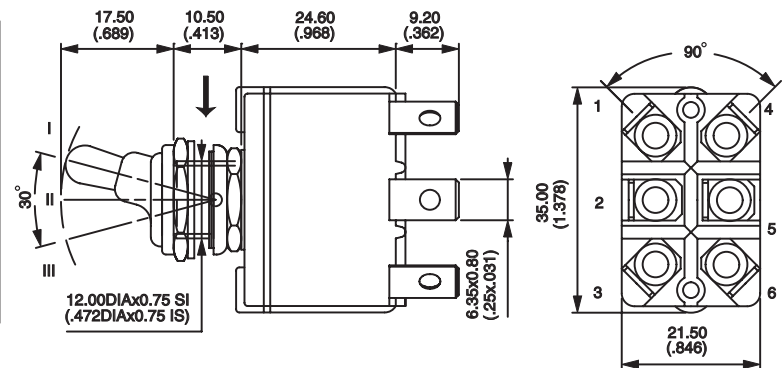
MOD. NO	CIRCUIT
3631NF/2	ON - OFF
3635NF/2	MOM - ON
3636NF/2	ON - ON
3637NF/2	MOM OFF MOM
3638NF/2	ON OFF MOM
3639NF/2	ON OFF ON
Handle pos. (see dwg.) :	I III II 2-1 2-3



Solder lug/quick-connect terminals - double pole



MOD. NO	CIRCUIT
3641NF/2	ON - OFF
3644NF/2*	ON ON ON
3645NF/2	MOM - ON
3646NF/2	ON - ON
3647NF/2	MOM OFF MOM
3648NF/2	ON OFF MOM
3649NF/2	ON OFF ON
Handle pos. (see dwg.) :	I III II 2-1 2-3 5-4 5-6



* Function 4: SP in DP case - see specs. for 600H - 600 NH series.

SPECIFICATIONS SUBJECT TO CHANGE WITHOUT NOTICE