

# Part No. PCMC10

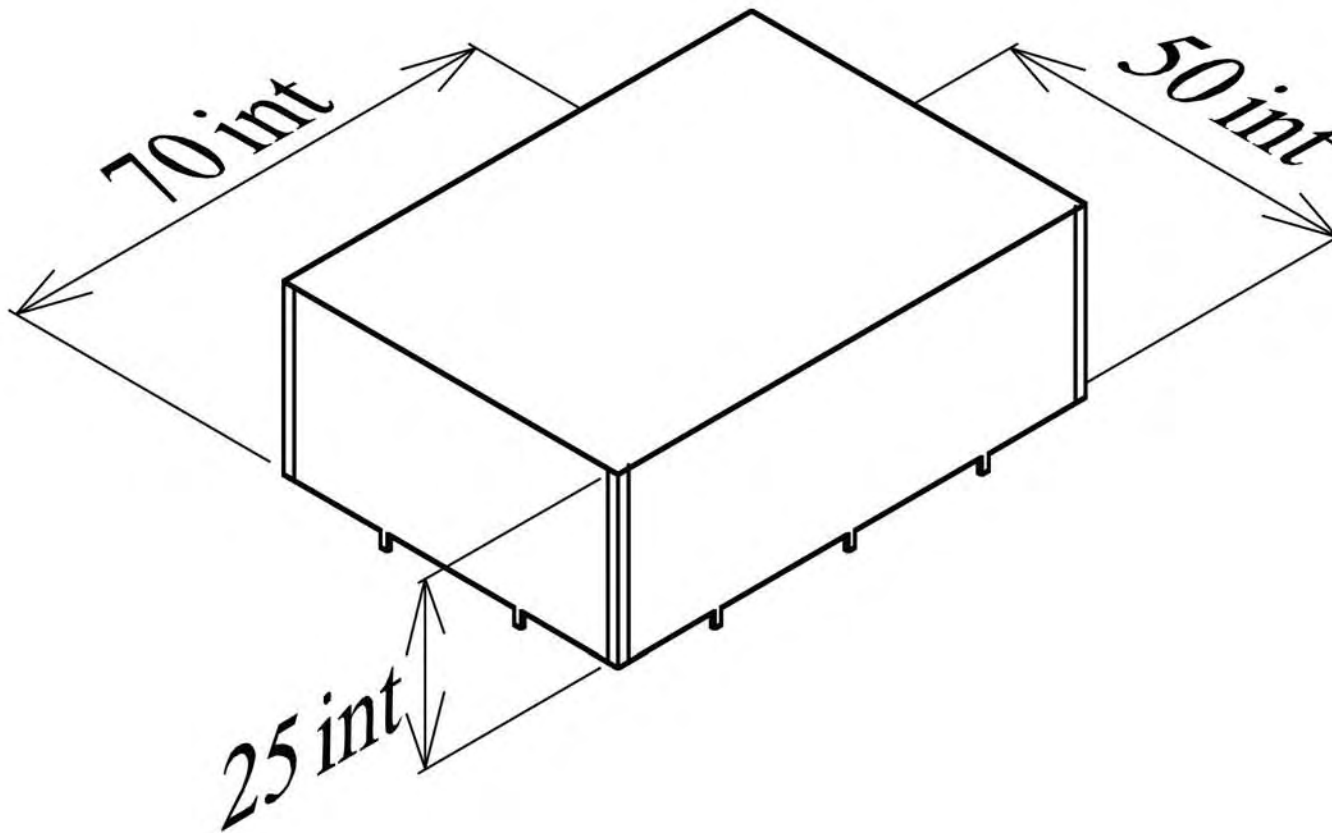
Issue B Date 27/01/2001

Drawn  Date 27/01/2001

Approved P.J.H Date 27/01/2001

Unless otherwise stated All Dimensions are in mm

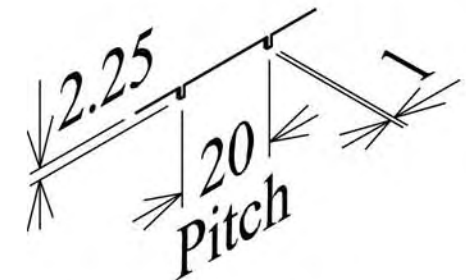
General tolerance +/- 0.25mm



### Specification

**Material:** Tinplate to BS EN 1202  
**Construction:** Close Butt Jointed Corners  
**Thickness:** 0.54mm  
**Surface resistivity:**  $20 \times 10^{-6} \Omega$  per square  
**Conductivity:**  $5 \times 10^4$  mho

### PCB Pin Size & Pitch



PCB Pin pitch tolerance +/- 0.10mm

THIS DRAWING IS THE PROPERTY OF PERANCEA LTD AND MAY NOT BE COPIED OR REPRODUCED WITHOUT OUR WRITTEN CONSENT

## PERANCEA LTD

ENCLOSURE AND INSTRUMENT CASE  
DESIGNERS AND MANUFACTURERS

Unit 36, Silicon Business Centre, Greenford, UB6 7JZ

Telephone: 020 8365 2520

Fax: 020 8566 7217

Email: sales@perancea.com

Web: www.perancea.com