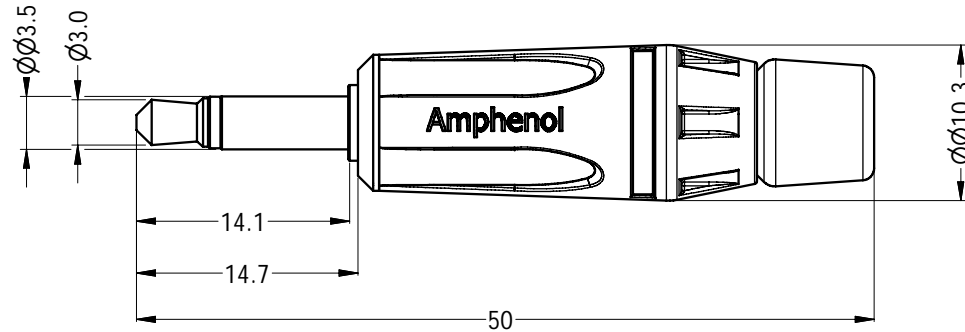
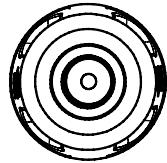


LEGEND  $\diamond$  = KEY PRODUCT CHARACTERISTICS

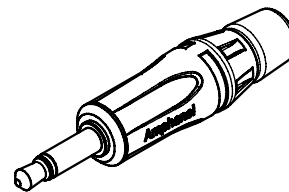
REVISION HISTORY

REV	DESCRIPTION	DATE	BY	ECN
0	FIRST ISSUE	10/12/2010	M.H	8984

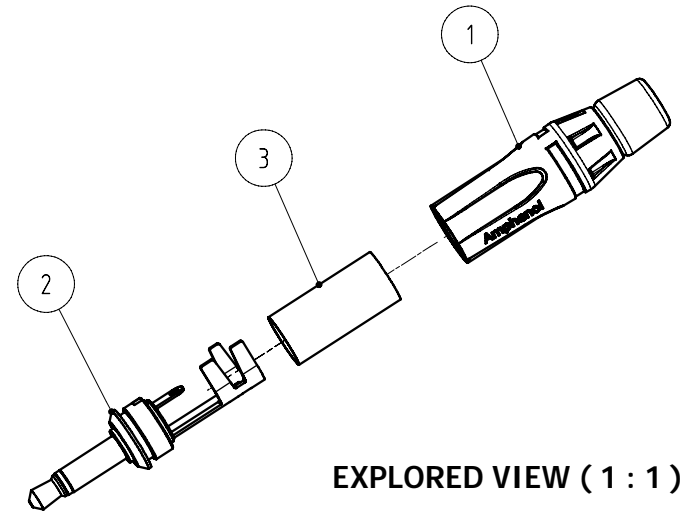


ITEM	PART NUMBER	DESCRIPTION	QTY
3	51270016-521	INSULATE PVC TUBE CLEAR	1
2	51560088-321/121	MONO INSERT ASSEMBLY NICKEL/GOLD	1
1	50440041-300/400	DIECAST SHELL NICKEL/BLACK FINISH	1

Parts List



ISO VIEW (1:1)



EXPLORED VIEW (1:1)

PART NUMBER		
PART NUMBER	SHELL FINISH	CONTACT FINISH
KM2P	NICKEL	NICKEL RING, SLEEVE & TIP
KM2P-AU	NICKEL	GOLD RING, SLEEVE & TIP
KM2PB	BLACK	NICKEL RING, SLEEVE & TIP
KM2PB-AU	BLACK	GOLD RING, SLEEVE & TIP

UNLESS OTHERWISE SPECIFIED TOLERANCE TO BE		THIS DOCUMENT IS THE PROPERTY OF AMPHENOL AUSTRALIA PTY. LTD. NO PART THEREOF MAY BE REPRODUCED AND USED WITHOUT THE PRIOR WRITTEN CONSENT OF THE OWNER				<b>Amphenol</b> Amphenol Australia Pty.Ltd, 2 Fiveways Blvd, Keysborough, VIC 3173	
LINEAR	ANGULAR	MATERIAL: SEE PARTS LIST & TABLE	DRN: T.Z	DATE: 10-12-10	TITLE: 3.5mm MONO PHONE PLUG CUSTOMER DRAWING		PART No: SEE TABLE
X ± 0.5	X' ± 1	BREAK ALL SHARP EDGES AND REMOVE ALL BURRS	CKD: M.H	DATE: 10-12-10	DRAWING NO. 55010723-000-1		SHEET 1/2
X.X ± 0.25	X.X' ± 30'	DO NOT SCALE	APP'D: P.M	DATE: 10-12-10	CAD FILE: 55010723000120		
X.XX ± 0.1	X.XX' ± 15'	DIMENSIONS IN MILLIMETRES	FINISH: SEE TABLE	SCALE: 2:1	SIZE: A4		

# Mouser Electronics

Authorized Distributor

Click to View Pricing, Inventory, Delivery & Lifecycle Information:

[Amphenol:](#)

[KM2P](#) [KM2PB](#) [KM2PB-AU](#) [KM2PBBULK](#) [KM2PBULK](#)