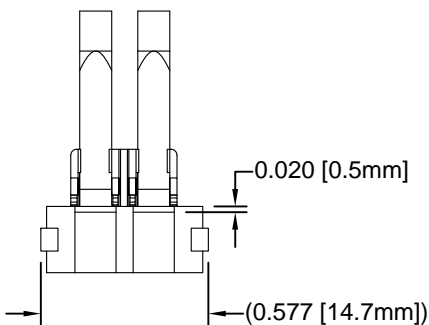
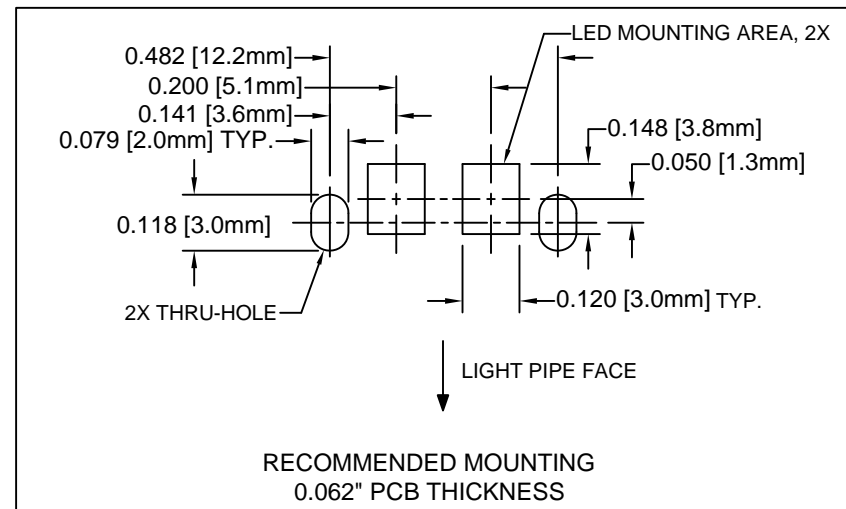
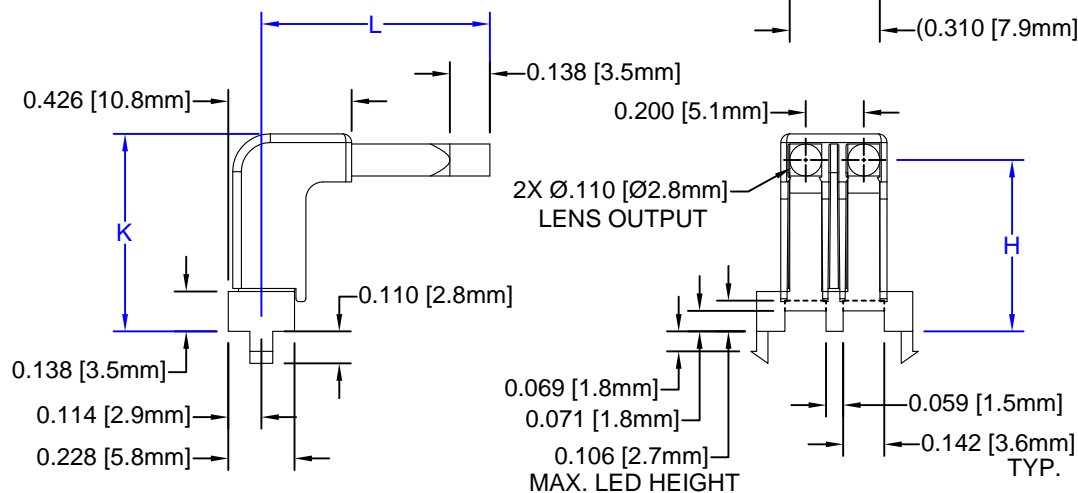
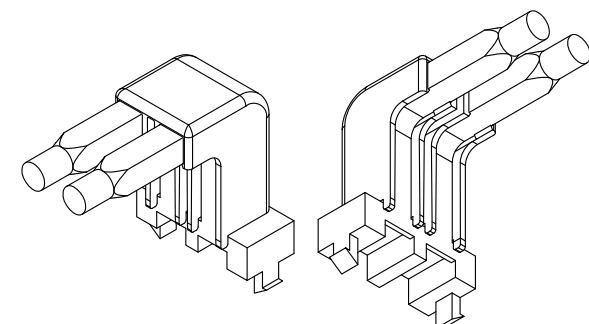
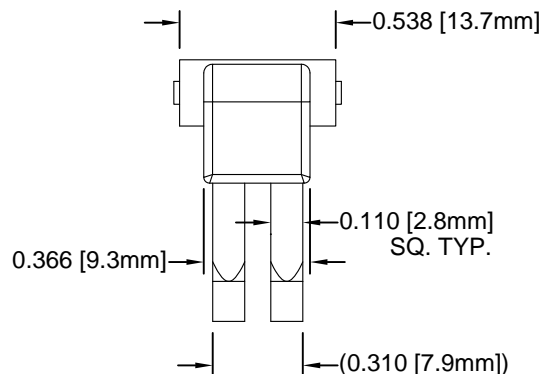


ITEM	QTY	PART NUMBER	PART DESCRIPTION
1	1	LPR2-XXX-XXX	Surface Mount Right Angle Light Pipe, 2.8mm, 2 Station. See Table on 2nd Page
2	1	RLPH2-XXX	LPR Housing, 2 Station, White. See Table on 2nd Page

REV.	DESCRIPTION	DATE	APPROVED
A	Engineering Release	11/06/09	T. Y.
B	Added Overall Height "K" Dim	03/04/11	T. Y.
C	Added Overall Snap Height Dimension	08/15/12	T. Y.
D	Added Color Options, Sheet #3	02/02/16	J. C.



STANDARD TOLERANCE (UNLESS OTHERWISE SPECIFIED)	
DECIMALS	ANGULAR
.X ± .1	X° ± 1°
.XX ± .01	
.XXX ± .010	

**BIVAR**<sup>®</sup>


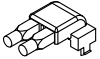
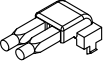
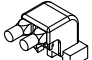
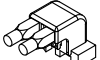
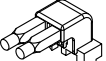

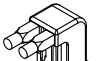
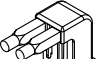
4 THOMAS, IRVINE, CA. 92618  
TEL: (949) 951-8808 FAX: (949) 951-3974


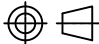
**TITLE:** RIGHT ANGLE LIGHT PIPE,  
2.8MM, 2 STATION

DESIGNED: <b>Raffy Paje</b>	DATE: <b>11/06/09</b>
CHECKED: <b>T. Yin</b>	DATE: <b>11/06/09</b>

<b>PART NO:</b> RLP2-XXX-XXX	<b>REVISION:</b> D
<b>CAGE CODE :</b> 32559	<b>SHEET #</b> 1 OF 3
CAD GENERATED DOCUMENT. DO NOT MEASURE DRAWING.	

REV.	DESCRIPTION	DATE	APPROVED
	SEE SHEET #1		

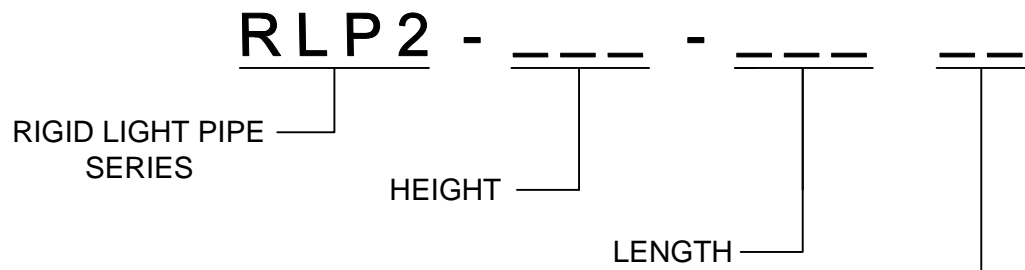
RLP2-XXX-XXX						
ASSY P/N	H	L	K	LPR2-XXX-XXX	RLPH2-XXX	FIGURE
RLP2-200-500	0.197 [5.0mm]	0.551 [14.0mm]	0.287 [7.3mm]	LPR2-200-500	RLPH2-200	
RLP2-200-650		0.669 [17.0mm]		LPR2-200-650	RLPH2-200	
RLP2-200-800		0.787 [20.0mm]		LPR2-200-800	RLPH2-200	
RLP2-400-500	0.394 [10.0mm]	0.551 [14.0mm]	0.484 [12.3mm]	LPR2-400-500	RLPH2-400	
RLP2-400-650		0.669 [17.0mm]		LPR2-400-650	RLPH2-400	
RLP2-400-800		0.787 [20.0mm]		LPR2-400-800	RPH2-400	
RLP2-600-500	0.591 [15.0mm]	0.551 [14.0mm]	0.681 [17.3mm]	LPR2-600-500	RLPH2-600	
RLP2-600-650		0.669 [17.0mm]		LPR2-600-650	RLPH2-600	
RLP2-600-800		0.787 [20.0mm]		LPR2-600-800	RLPH2-600	

STANDARD TOLERANCE (UNLESS OTHERWISE SPECIFIED)		 4 THOMAS, IRVINE, CA. 92618 TEL: (949) 951-8808 FAX: (949) 951-3974	
DECIMALS	ANGULAR		
.X ± .1	X° ± 1°	 <b>TITLE:</b> RIGHT ANGLE LIGHT PIPE, 2.8MM, 2 STATION	
.XX ± .01			
.XXX ± .010			
DESIGNED: <b>Raffy Paje</b>	DATE: <b>11/06/09</b>	<b>PART NO:</b> RLP2-XXX-XXX	REVISION: <b>D</b>
CHECKED: <b>T. Yin</b>	DATE: <b>11/06/09</b>	<b>CAGE CODE : 32559</b>	<b>SHEET # 2 OF 3</b>
CAD GENERATED DOCUMENT. DO NOT MEASURE DRAWING.			

**OTHER AVAILABLE COLORS**

\* SEE TABLE FOR ORDERING INFORMATION


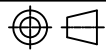
REV.	DESCRIPTION	DATE	APPROVED
	SEE SHEET #1		



COLOR	Order Code
BLUE	BE
BLACK	BK
GREEN	GN
GRAY	GY
RED	RD
YELLOW	YW

NOTE: LEAVE ORDER CODE BLANK IF NO COLOR IS DESIRED.

- 2. ONLY LIGHT PIPES OF ASSEMBLIES WILL BE DYED.
- 1. PARTS ARE DYED TO COLOR UPON REQUEST.

STANDARD TOLERANCE ( UNLESS OTHERWISE SPECIFIED ) DECIMALS      ANGULAR		 4 THOMAS, IRVINE, CA. 92618 TEL: (949) 951-8808    FAX: (949) 951-3974	
			
DESIGNED: <b>K. Aukshunas</b>	DATE: <b>01/22/16</b>	<b>TITLE:</b> RIGHT ANGLE LIGHT PIPE, 2.8MM, 2 STATION	
CHECKED: <b>J. Chiang</b>	DATE: <b>01/22/16</b>	<b>PART NO:</b> RLP2-XXX-XXX	REVISION: <b>D</b>
		<b>CAGE CODE :</b> 32559	<b>SHEET # 3 OF 3</b>
CAD GENERATED DOCUMENT. DO NOT MEASURE DRAWING.			

# Mouser Electronics

Authorized Distributor

Click to View Pricing, Inventory, Delivery & Lifecycle Information:

[BIVAR:](#)

[RLP2-200-500](#) [RLP2-200-650](#) [RLP2-200-800](#) [RLP2-400-500](#) [RLP2-400-650](#) [RLP2-400-800](#) [RLP2-600-500](#) [RLP2-600-650](#) [RLP2-600-800](#)