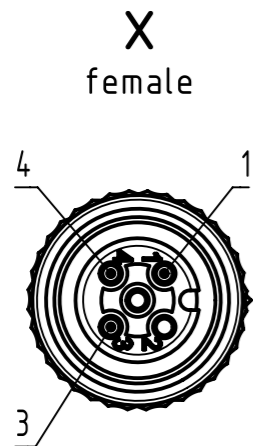
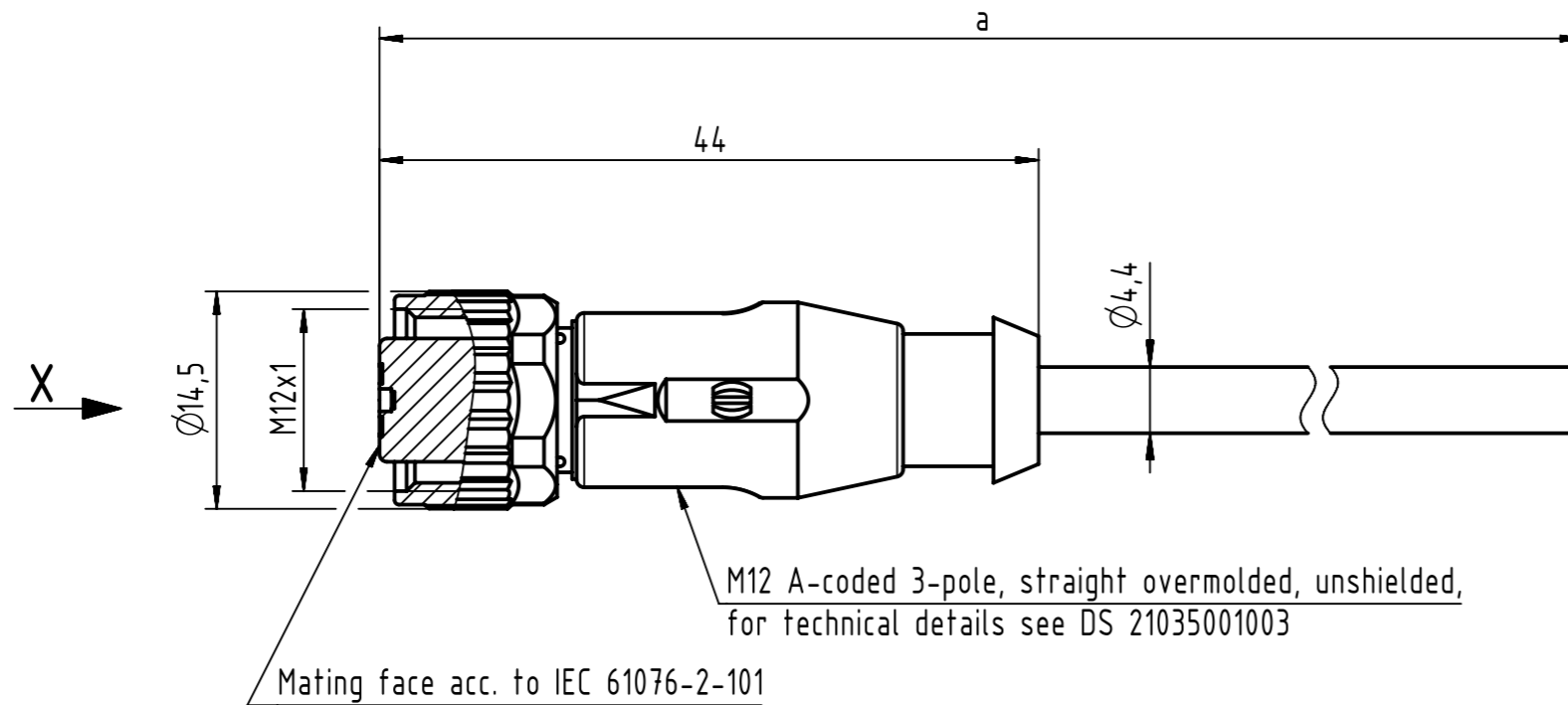


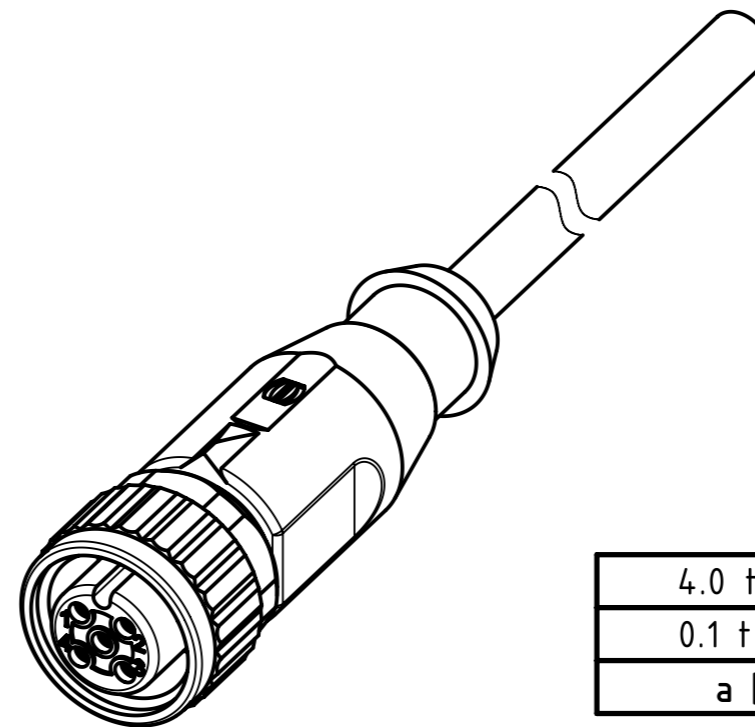
Connector Location A

Connector Location B



Loading-Plan:

- 1 brown
- 3 blue
- 4 black



- Protection level: IP67  
 - Temperature range: -25°C ... +80°C

length in "1m" step	40	XXX=40
	39	XXX=39
	.	.
	12	XXX=120
	11	XXX=110
length in "0.1m" step	10	XXX=100
	9.9	XXX=099
	9.8	XXX=098
	.	.
	0.4	XXX=004
	0.3	XXX=003
	0.2	XXX=002
	0.1	XXX=001
Step	a [m]	XXX

4.0 to 40	±1%
0.1 to 3.9	+0.04
a [m]	Tolerance

PVC grey, 3x0.34mm <sup>2</sup>	21348400383XXX
Type of cable	Part no.

All rights reserved Department HCS - RO HARTING Customised Solutions D-32339 Espelkamp	Tech. Character.		Free size tol.		According to production drawing	
	Created by COSTEA Costea	Inspected by MUNTEANV Muntean	Standardisation MUNTEANV Muntean	Date 2019-01-14	State Final Release	
Title M12 Cable Assembly A-cod st/- f/-			Doc-Key / ECM-Nr. 100578791/UGD/009/C 500000145014		Rev. C	Page 1/1
Type TB		Number 21348500383XXX				

# Mouser Electronics

Authorized Distributor

Click to View Pricing, Inventory, Delivery & Lifecycle Information:

## HARTING:

[21348500383005](#) [21348500383100](#) [21348500383075](#) [21348500383015](#) [21348500383020](#) [21348500383050](#)  
[21348500383010](#)