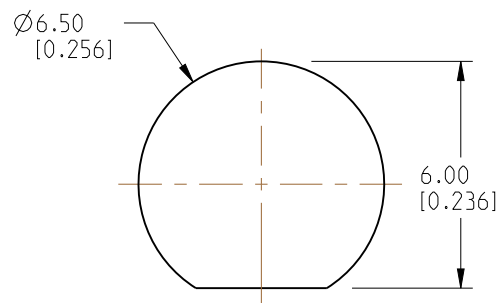


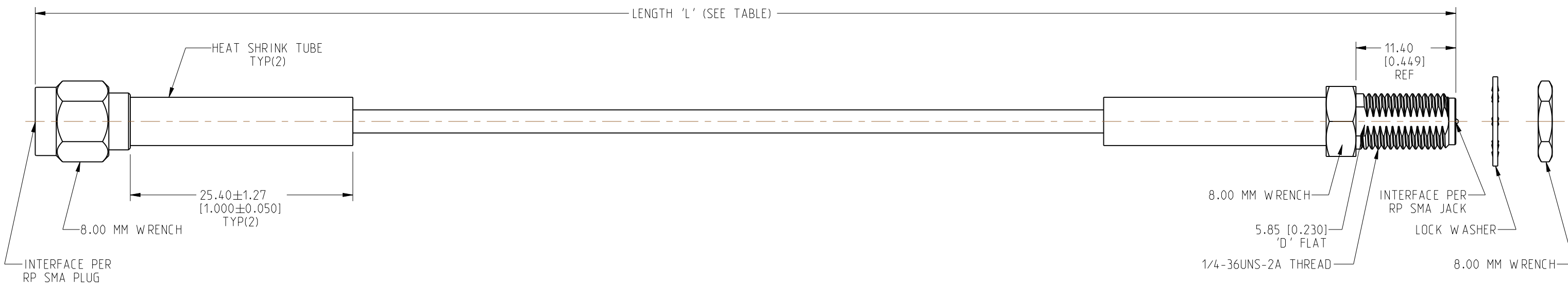
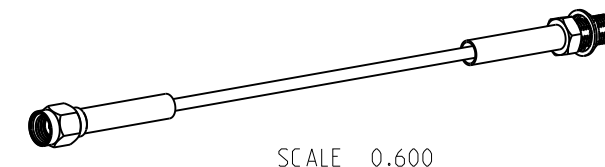
NOTES:

1. MATERIALS AND FINISHES:
 RP SMA STR PLUG - BRASS, GOLD PLATING
 RP SMA STR BHD JACK - BRASS, GOLD PLATING
 CABLE - RG 174
2. ELECTRICAL:
 A. IMPEDANCE: 50 OHM
3. PACKAGING:
 A. QUANTITY: SINGLE PACK
 B. MARKING: BAG TO BE MARKED
 "AMPHENOL RF, 95-902-537-XXX AND DATE CODE"

REVISIONS				
REV	DESCRIPTION	DATE	ECN	APPR
A	RELEASE TO MFG.	07-SEP-20	15313	CL



RECOMMENDED MOUNTING HOLE DIMENSIONS



LENGTH TABLE		
PART NUMBER (IMPERIAL)	PART NUMBER (METRIC)	LENGTH 'L' IN INCHES [METERS]
95-902-537-006	-	6.00 [0.152]
95-902-537-012	-	12.00 [0.305]
95-902-537-018	-	18.00 [0.457]
-	95-902-537M050	19.69 [0.500]
95-902-537-024	-	24.00 [0.610]
95-902-537-036	-	36.00 [0.914]
-	95-902-537M100	39.37 [1.000]
-	95-902-537M200	78.74 [2.000]

TOLERANCE TABLE	
LENGTH IN INCHES/FT [METERS]	TOLERANCE
0" - 23.90" [0 - 0.607]	±0.25" [0.006]
24.00" - 59.00" [0.610 - 1.499]	±0.50" [0.013]
5.0' - 24.9' [1.524 - 7.617]	±2.5%
25.0' & UP [7.620 & UP]	±5.0%

DESIGN REQUIREMENTS:

- | | |
|---|--|
| <input checked="" type="checkbox"/> FREQUENCY: DC - 6 GHz | <input checked="" type="checkbox"/> CONTINUITY |
| <input type="checkbox"/> VSWR: _____ 1 MAX. | <input checked="" type="checkbox"/> HI-POT: 750 VRMS |
| <input type="checkbox"/> INS. LOSS: _____ dB MAX. | <input type="checkbox"/> OTHER |

CUSTOMER OUTLINE DRAWING
 ALL OTHER SHEETS ARE FOR INTERNAL USE ONLY

NOTICE: These drawings, specifications, or other data (1) are, and remain the property of Amphenol corp. (2) must be returned upon request; and (3) are confidential and not to be disclosed to any person other than those to whom they are given by Amphenol Corp. The furnishing of these drawings, specifications, or other data by Amphenol Corp., or to any other person to anyone for any purpose is not to be regarded by implication or otherwise in any manner licensing, granting rights to permitting such holder or any other person to manufacture, use or sell any product, process or design, patented or otherwise, that may in any way be related to or disclosed by said drawings, specifications, or other data.		UNLESS OTHERWISE SPECIFIED DIMENSIONS ARE METRIC [INCHES] AND TOLERANCES ARE: <0.5mm = ±0.05mm [-0.020 = ±0.002] >0.5 - 6mm = ±0.1mm [>0.020 - 0.236 = ±0.004] >6.00 - 30mm = ±0.2mm [>0.236 - 1.181 = ±0.008] >30.00 - 120mm = ±0.3mm [>1.181 - 4.725 = ±0.012]		MATERIAL SEE NOTES		TITLE RP SMA STR PLUG TO RP SMA STR BHD JACK USING RG 174 CABLE VARIOUS LENGTH		Amphenol RF	
THIRD ANGLE PROJ. REFERENCE		ENGINEER CLEMENT		DATE 22-JUL-20		SHEET NO. 2 OF 2		SCALE: 2.3:1.0	
EAR# 10025		ANGLES = ±1°		DRAWING NO. 95-902-537-XXX		ITEM NO. 95-902-537-XXX		REV A	
PART NO. 95-902-537-XXX									

Mouser Electronics

Authorized Distributor

Click to View Pricing, Inventory, Delivery & Lifecycle Information:

Amphenol:

[095-902-537-006](#) [095-902-537-012](#) [095-902-537-018](#) [095-902-537-024](#) [095-902-537-036](#) [095-902-537M050](#) [095-902-537M100](#) [095-902-537M200](#)