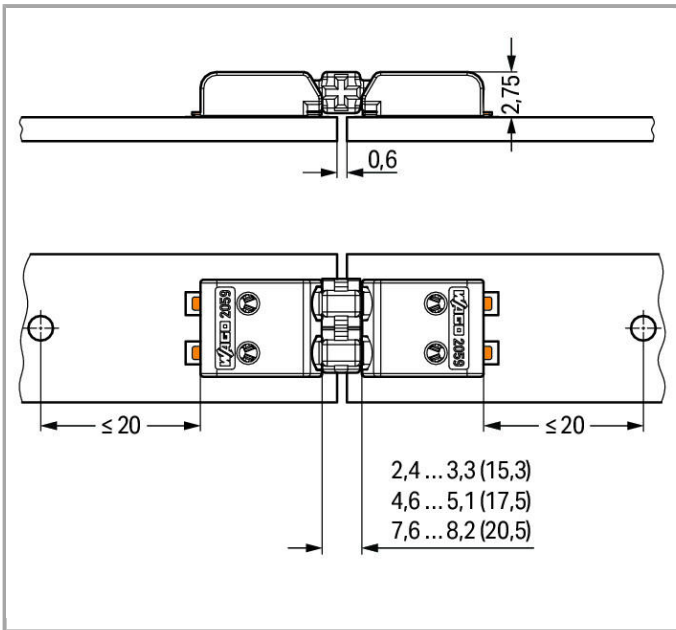
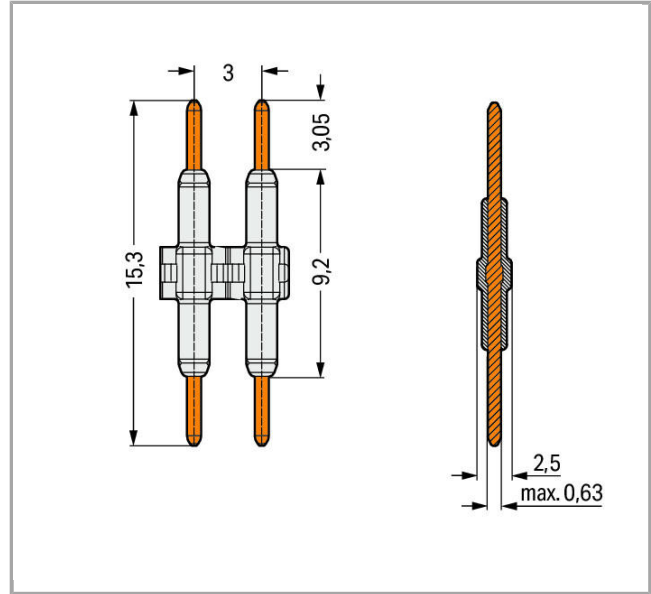
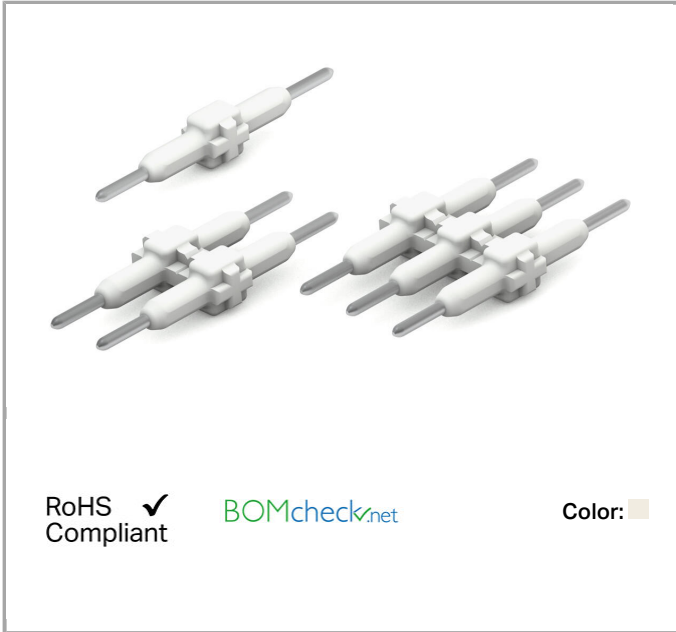


Data sheet | Item number: 2059-903

Board-to-Board Link; Pin spacing 3 mm; 3-pole; Length: 15.3 mm; white

[www.wago.com/2059-903](http://www.wago.com/2059-903)



Item description

- Board-to-board links simplify LED module assembly
- Easy push-in connection and disconnection



## Data

## Electrical data

## Ratings per IEC/EN 60664-1

Rated voltage (III / 3)	63 V
Rated impulse voltage (III / 3)	2.5 kV
Rated voltage (III / 2)	160 V
Rated impulse voltage (III / 2)	2.5 kV
Rated voltage (II / 2)	320 V
Rated impulse voltage (II / 2)	2.5 kV
Rated current	3 A

## Connection data

Total number of potentials	3
Number of connection types	1
No. of poles	3

## Geometrical Data

Pin spacing	3 mm / 0.118 inch
Width	8.7 mm / 0.343 inch
Height	2.5 mm / 0.098 inch
Depth	15.3 mm / 0.602 inch

## Mechanical data

Mating cycles	10
Number of mating cycles	max. 10 mating cycles

## Material Data

Color	white
Material group	I
Insulating material	Polyamide 66 (PA 66)
Flammability class per UL94	V0
Contact material	Copper alloy
Contact plating	silver-plated
Weight	0.19 g

## Environmental Requirements





Limit temperature range	-60 ... +105 °C
-------------------------	-----------------

## Commercial data


Country of origin	CN
GTIN	4055143610063
Customs Tariff No.	85369010000

## Approvals / Certificates

### Country specific Approvals

Logo	Approval	Additional Approval Text	Certificate name
	CCA DEKRA Certification B.V.	EN 60947-7-4	NTR NL-7680
	CCA DEKRA Certification B.V.	EN 60838	NTR NL-7720
	KEMA/KEUR DEKRA Certification B.V.	EN 60947-7-4	71-103560
	KEMA/KEUR DEKRA Certification B.V.	EN 60838	71-106226

### UL-Approvals

Logo	Approval	Additional Approval Text	Certificate name
	UL Underwriters Laboratories Inc.	UL 1977	E45171

## Downloads

### Documentation

#### Additional Information

Technical explanations	Apr 3, 2019	pdf 3.6 MB	Download
------------------------	-------------	---------------	----------



## CAD/CAE-Data

### CAD data

3D Download 2059-903

URL

Download

---

Subject to changes.

---

WAGO Kontakttechnik GmbH & Co. KG  
Hansastr. 27  
32423 Minden  
Phone: +49571 887-0 | Fax: +49571 887-169  
Email: [info.de@wago.com](mailto:info.de@wago.com) | Web: [www.wago.com](http://www.wago.com)

Do you have any questions about our products?  
We are always happy to take your call at +49 (571) 887-44222.