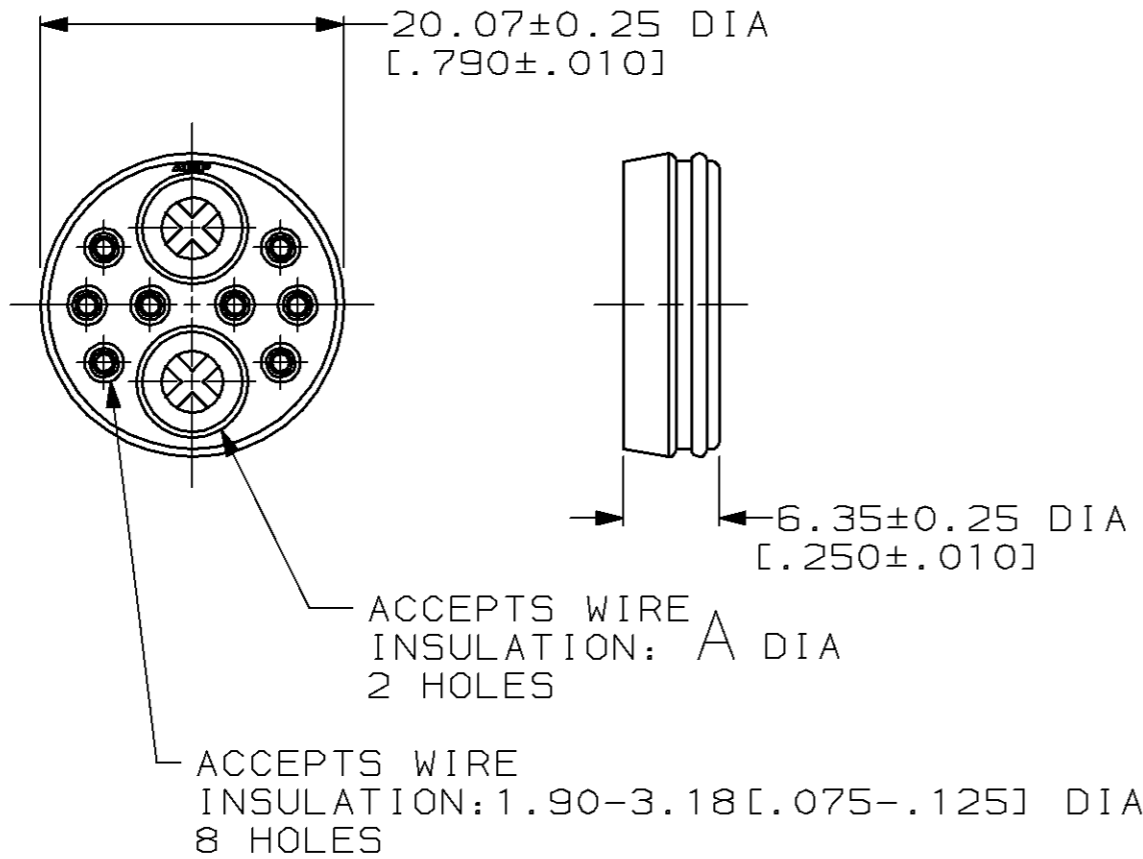
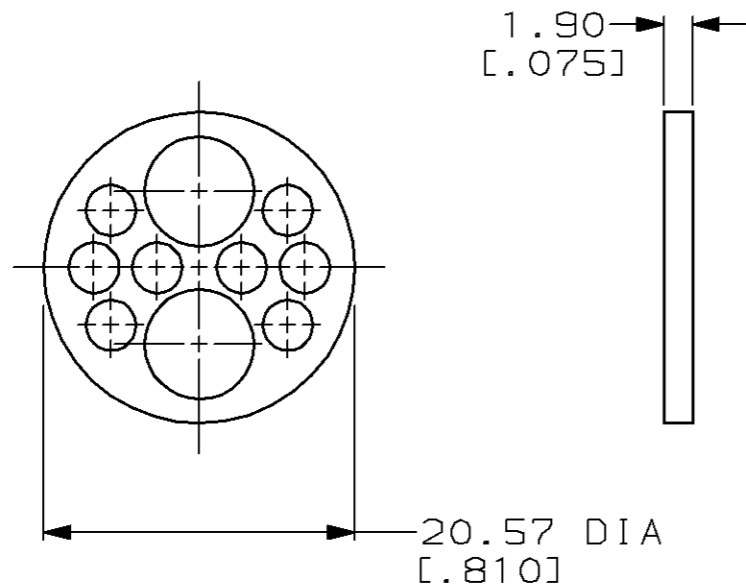


THIS DRAWING IS UNPUBLISHED. RELEASED FOR PUBLICATION ,19 .
 © COPYRIGHT 19 BY AMP INCORPORATED. ALL RIGHTS RESERVED.

LOC	DIST	REVISIONS					
FT	4	P	LTR	DESCRIPTION	DATE	DWN	APVD
			0	RLSE -1 THRU -4 PER NPR 5375, WAS 95-7970-28	07/12/95	-	-
			A	OBSOLETE -3, -4 AND REVISED PER EC 0020-900-95	15 SEP 95	DH	AF
			B	REV PER EC 0320-144-97	05 MAY 97	CO	AF
			C	ADDED -5 PER EC 0320-152-97	08 MAY 97	CO	AF



SEAL MATERIAL: SILICON, RED IRON OXIDE
QTY=1



PRESSURE PLATE MATERIAL: NYLON, BLACK
QTY=1

	INDIVIDUAL	2.41-5.21 [.095-.205]	213900-5
OBSOLETE	-	-	213900-4
OBSOLETE	-	-	213900-3
	BULK	3.81-6.73 [.150-.265]	213900-2
	INDIVIDUAL	3.81-6.73 [.150-.265]	213900-1
	PACKAGING	A	PART NUMBER

THIS DRAWING IS A CONTROLLED DOCUMENT FOR AMP INCORPORATED. IT IS SUBJECT TO CHANGE AND THE CONTROLLING ENGINEERING ORGANIZATION SHOULD BE CONTACTED FOR THE LATEST REVISION.		DWN D. HARDY 07/12/95	AMP Incorporated Harrisburg, PA 17105-3608											
DIMENSIONS: mm [INCHES]		CHK R. STONE 07/13/95												
TOLERANCES UNLESS OTHERWISE SPECIFIED:		APVD A. FRANTUM 07/13/95												
<table border="1"> <tr><td>0 PLC</td><td>±-</td></tr> <tr><td>1 PLC</td><td>±-</td></tr> <tr><td>2 PLC</td><td>±0.13 [.005]</td></tr> <tr><td>3 PLC</td><td>±-</td></tr> <tr><td>4 PLC</td><td>±-</td></tr> <tr><td>ANGLES</td><td>±-</td></tr> </table>		0 PLC		±-	1 PLC	±-	2 PLC	±0.13 [.005]	3 PLC	±-	4 PLC	±-	ANGLES	±-
0 PLC	±-													
1 PLC	±-													
2 PLC	±0.13 [.005]													
3 PLC	±-													
4 PLC	±-													
ANGLES	±-													
MATERIAL SEE CALLOUTS	FINISH -	WEIGHT -	<table border="1"> <tr> <td>SIZE A3</td> <td>CAGE CODE 00779</td> <td>DRAWING NO C-213900</td> </tr> <tr> <td colspan="2">CUSTOMER DRAWING</td> <td>SCALE 2:1</td> </tr> </table>	SIZE A3	CAGE CODE 00779	DRAWING NO C-213900	CUSTOMER DRAWING		SCALE 2:1					
SIZE A3	CAGE CODE 00779	DRAWING NO C-213900												
CUSTOMER DRAWING		SCALE 2:1												
			<table border="1"> <tr> <td>SHEET 1 OF 1</td> <td>REV C</td> </tr> </table>	SHEET 1 OF 1	REV C									
SHEET 1 OF 1	REV C													