

## Panel Mount Lenses for T-1 3/4 (5mm) LEDs

### Description and Features

#### Series 4341 thru 4347

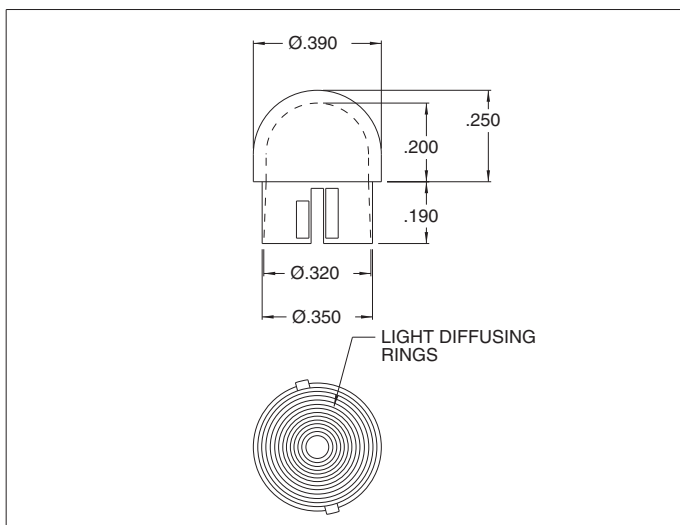
- Attractive snap-in panel lenses provide wide-angle viewing plus mechanical security and electrostatic discharge protection. Generous clearance and "forgiving" optics speed product assembly. Ideal for use with narrow beam LEDs, such as 4305H, 4308H or 4310H series-or use with incandescent or neon lamps.

Material: Polycarbonate

Mounting Hole: Snap into  $\varnothing$ .354-.360 hole in panels  
.030-.080 thick.

MODEL	LENS COLOR
4341	Red
4342	Clear
4343	Amber
4344	White
4345	Green
4346	Blue
4347	Yellow

### Outline Dimensions



All dimensions in inches.