

TECHNICAL SPECIFICATIONS

- SHELLS : MATT TIN / ZINC PLATED STEEL.
- INSULATOR MATERIAL : SELF EXTINGUISHING THERMOPLASTIC - UL CLASS 94 V0
- CONTACTS DIA ON ACTIVE AREA : THE HOUSING WILL WITHSTAND EXPOSURE TO 260-285°C
- CONTACTS MATERIAL : IF WE USE PROTECTIVE ADHESIVE (type Kapton or Teflon) OR PROTECTIVE METALLIC DEVICE
- CONTACT PLATING : 01 MM. COPPER ALLOY
- FOR LEAD FREE PLATING : GXT / GOLD OVER NICKEL (ACTIVE ZONE) TIN OVER NICKEL (TERMINATION ZONE)
- OPERATING TEMPERATURE : 2 μMIN. TIN TOP OVER 1.27 μ MIN.NICKEL UNDER PLATE(ON TERMINATION ZONE)
- OPERATING CURRENT : -55°C -+125°C
- CONTACT RESISTANCE : 5 A PER CONTACT
- INSULATION RESISTANCE : ≤10m Ω
- MAXIMUM VOLTAGE : ≥5000M Ω
- MECHANICAL ENDURANCE : 1000 V.r.m.s
- DAMP HEAT : 200 MATTINGS (for 64 code) 500 MATTINGS (For 65 code).
- WIRE SIZE : 21 DAYS.
- WIRE SIZE : 0.6 MM² (AWG 20) MAX.

ORDERING INFORMATION

"This LF product meets European Union Directives and other country regulations as described in GS-22-008"
Packaging as per GS-14-920
Housing will withstand exposure to 260°C peak temp for 3.5sec

SERIES : D B V 25 P 0 64 H T X B XXX LF

SHELL SIZE : E,A,B,C,D

OPTIONS : BLANK-STANDARD F-FLOAT MOUNTING L-CLINCH NUT (M3) O-CLINCH NUT (UNC) V-FEM. SCREW LOCK HEX. (UNC)

NO.OF CONTACTS : 09,15,25,37,50

CONTACTS : P-FIN S-SOCKET

TERMINATION TYPE : 0 - SOLDER BUCKET

LEAD FREE : LEAD FREE

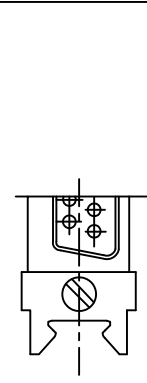
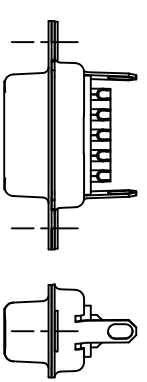
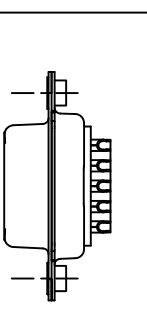
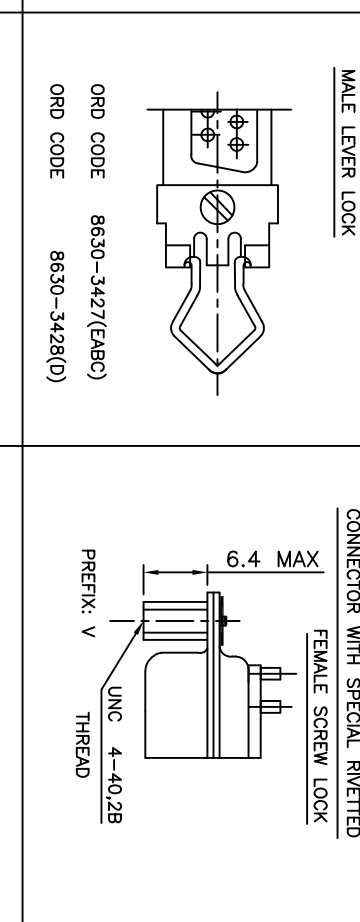
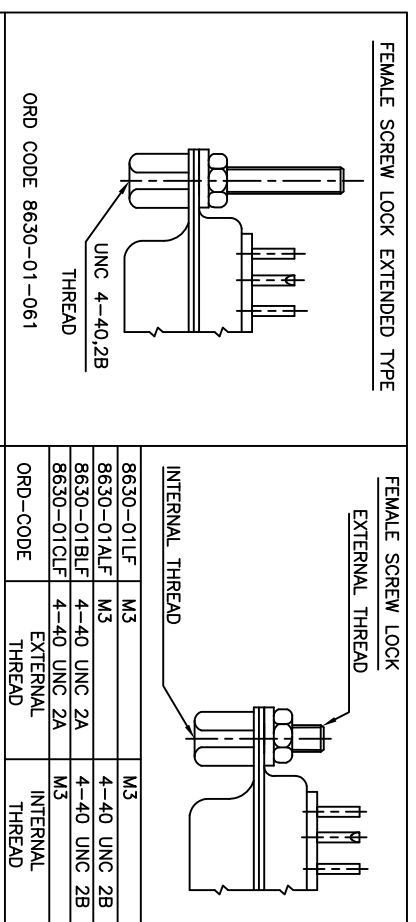
SPECIAL CODES : INSULATOR COLOUR BLANK-NATURAL B-BLACK DIMPLES X-ON MALE CONNECTORS ONLY SHELL PLATING BLANK-ZINC T-STD. TIN over Cu

CONTACT PLATING : BLANK - STD 64 - 200 Mating cycles S - SOCKET 65 - 500 Mating cycles

NOTE:- 1) INSIDE DIMENSIONS OF THE MALE AND OUTSIDE DIMENSIONS OF THE FEMALE CONNECTOR
2) ALL ACCESSORIES SHOWN IN ASSEMBLY OPTIONS SHOULD BE ORDERED SEPARATELY

SHELL SIZE	DIMENSIONS											
	A 0	B 0	C	D 0	E 0	F MAX	G 0	H 0	J 0	K	L 0	
50	P	66.65	52.68	61.11	11.08	14.99	11.09	5.85	55.07	13.31	1.50	1.0
	S	66.65	52.30	61.11	10.62	14.99	11.21	6.05	55.07	13.31	1.10	0.8
37	P	68.94	55.30	63.50	8.23	12.17	11.09	5.85	57.45	10.46	1.50	1.0
	S	68.94	54.71	63.50	7.77	12.17	11.21	6.05	57.45	10.46	1.10	0.8
25	P	52.65	38.84	47.04	8.23	12.17	11.07	5.85	41.02	10.46	1.10	0.8
	S	52.65	38.25	47.04	7.77	12.17	11.21	6.05	41.02	10.46	1.10	0.8
15	P	38.76	25.12	33.32	8.23	12.17	10.99	5.85	27.25	10.46	1.10	0.8
	S	38.76	24.54	33.32	7.77	12.17	11.21	6.05	27.25	10.46	1.10	0.8
09	P	30.43	16.79	24.99	8.23	12.17	10.99	5.85	19.02	10.46	1.10	0.8
	S	30.43	16.21	24.99	7.77	12.17	11.21	6.05	19.02	10.46	1.10	0.8

ASSEMBLY OPTIONS



mat'l. code	ecn no	dr	date	surface	tolerance	projection	product family	title
				ISO 1302	ISO 406 ISO 1101	MM	D-SUB	D- SUB SOLDER BUCKET CONNECTOR (WITH ASSEMBLY OPTIONS)
N	111-0003	AMR	2011-01-06	tolerances unless otherwise specified				
H				angles	linear	SCDile		
J	108-0131	MRA	2008-10-06	0°±1°	.000±.00X			
K	109-0121	MRA	2009-07-01	engr	1999-03-20			
L	109-0140	MRA	2009-07-14	chr	2009-07-01			
M	109-0195	MRA	2009-09-18	appd	2009-07-01			