

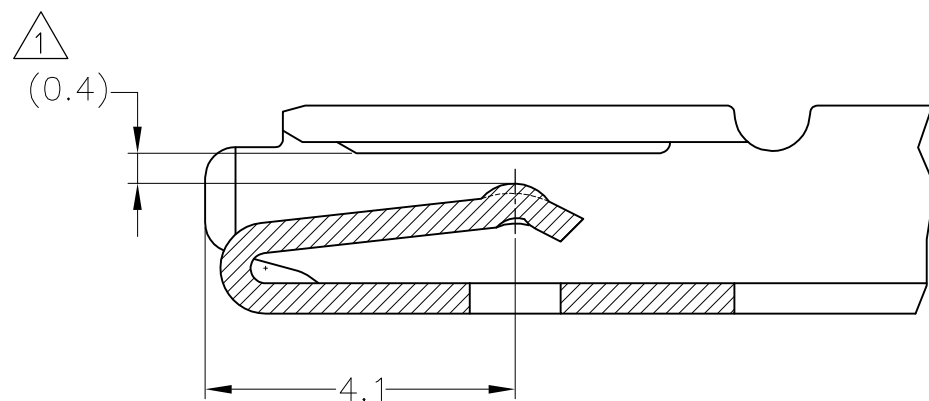
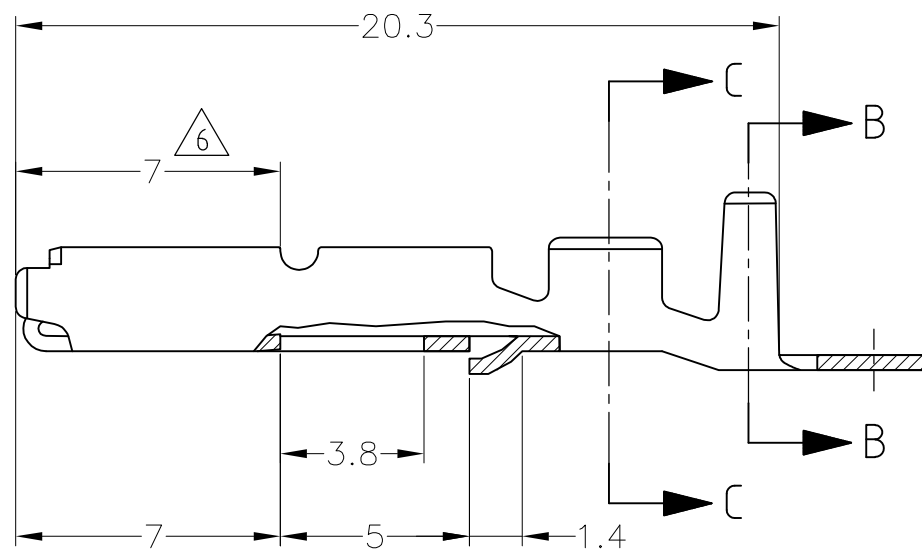
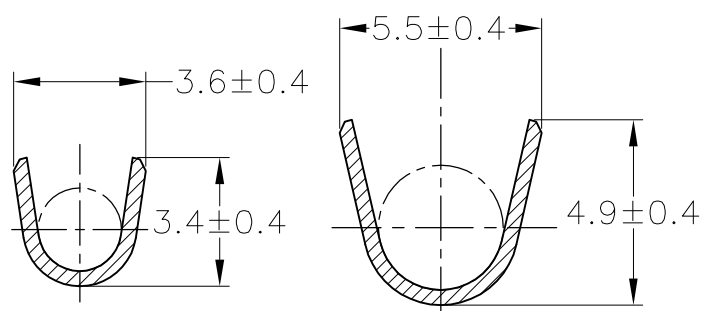
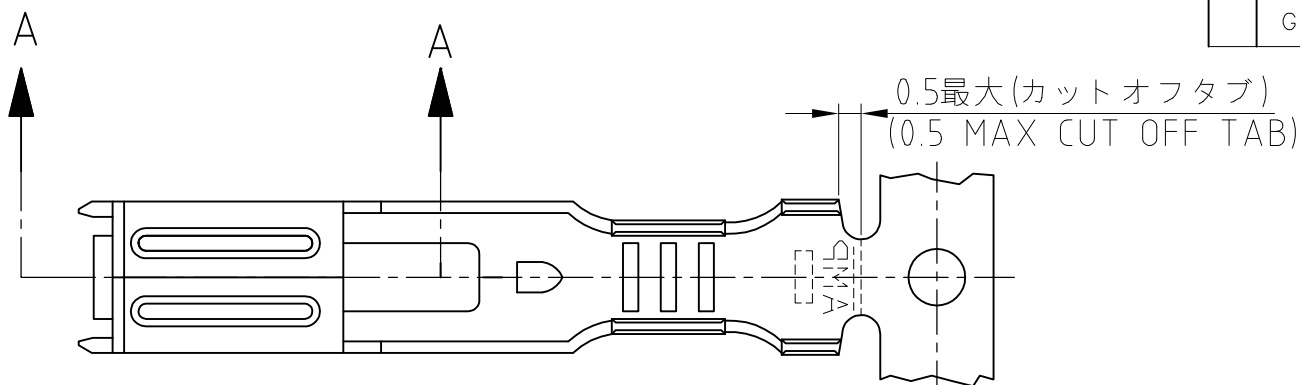
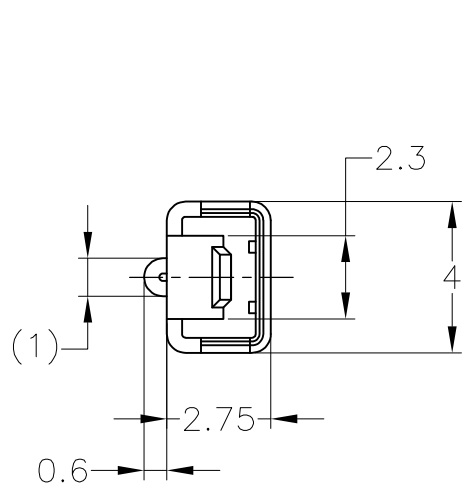
THIS DRAWING IS UNPUBLISHED. RELEASED FOR PUBLICATION APR, 2017.

© COPYRIGHT 2017 Tyco Electronics Japan G.K.

ALL RIGHTS RESERVED.

REVISIONS

P	LTR	DESCRIPTION	DATE	DWN	APVD
	G1	REVISED	08MAR16	DM	TK



A-A SCALE 10: 1

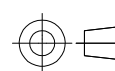
- △ 0.65t タブと嵌合
- 2. 嵌合相手タブ型番 172777, 172778
- 3. 製品規格 No.108-5165,5166
- 4. 取付適用規格 No.114-5071
- 5. 相手ハウジング型番 172500 他
- △ 逆巻きリール

- △ MATE WITH 0.65t TAB.
- 2. MATE TAB P/N 172777,172778.
- 3. PRODUCT SPEC. No.108-5165,5166
- 4. APPLICATION SPEC. No.114-5071.
- 5. PLUG HSG P/N 172500 ETC.
- △ REVERSE REEL.

<del>172774-5</del>	錫メッキ済 PRE-TIN	KLF-5	△ 1-172773-5	7
172774-1	錫メッキ済 PRE-TIN	黄銅 BRASS	△ 1-172773-1	6
172774-6	部分金メッキ SELECTIVE GOLD △6	磷青銅 PHOS-BRO	172773-6	5
<del>172774-5</del>	錫メッキ済 PRE-TIN	KLF-5	172773-5	4
172774-4	錫メッキ済 PRE-TIN	磷青銅 PHOS-BRO	172773-4	3
SEE DRAWING 172773-2			172773-2	2
172774-1	錫メッキ済 PRE-TIN	黄銅 BRASS	172773-1	1
バラ状端子型番 L-P NO.	仕上 FINISH	材料 MATERIAL	型番 PART NUMBER	項番 ID

THIS DRAWING IS A CONTROLLED DOCUMENT.

DIMENSIONS:  
mm



TOLERANCES UNLESS OTHERWISE SPECIFIED:

0 < x ≤ 10	± 0.2
10 < x ≤ 30	± 0.25
30 < x ≤ 100	± 0.3
ANGLE ;	± 3°
PLC	± -
PLC	± -
PLC	± -
PLC	± -
PLC	± -
ANGLES	± -
FINISH	± -

MATERIAL  
SEE TABLE

SEE TABLE

DWN D.MATSUURA 08MAR16  
 CHK S.IWATANI 08MAR16  
 APVD T.KOHNO 08MAR16  
 PRODUCT SPEC  
 APPLICATION SPEC  
 SEE NOTE

WEIGHT

CUSTOMER DRAWING



RECEPTACLE CONTACT  
 MULTI INTER LOCK CONNECTOR  
 MARK II

SIZE	CAGE CODE	DRAWING NO	RESTRICTED TO
A3	00779	C-172773	-

WIRE RANGE	INSULATION DIA
0.5-2.27mm <sup>2</sup> (AWG #22-#18)	2.1-3.4 mm DIA

TOLERANCE UNLESS OTHERWISE SPECIFIED: 一般公差	
0 < x ≤ 10	± 0.2
10 < x ≤ 30	± 0.25
30 < x ≤ 100	± 0.3
ANGLE ;	± 3°

SCALE 5:1 SHEET 1 OF 1 REV G1

# Mouser Electronics

Authorized Distributor

Click to View Pricing, Inventory, Delivery & Lifecycle Information:

[TE Connectivity:](#)

[172773-4](#)