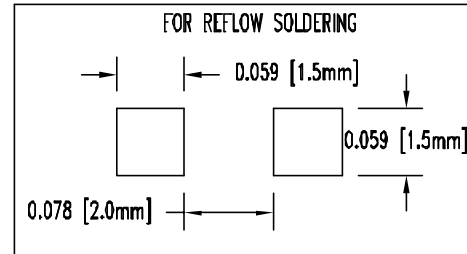
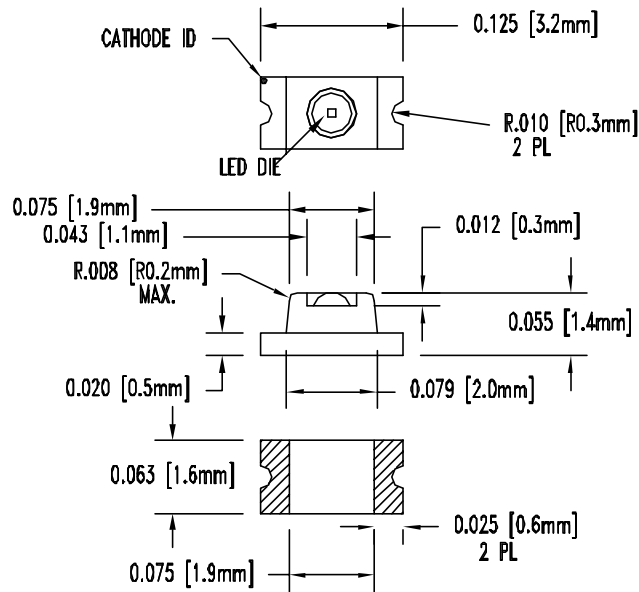


REV	DESCRIPTION	DATE	APPROVED
A	ENGINEERING RELEASE.	05/19/03	MC



CAUTIONS: EMITS ULTRAVIOLET RADIATION!!


This device radiates intense ultraviolet (UV) light when operated. Exposure to UV radiation can be harmful to your health. Protect your eyes and skin during operation. Do not look directly at this device during operation. Exposure to UV light, even for a brief period, can damage your eyes. Do not operate the device unless you have had proper safety training and take appropriate precautions. Do not permit children or untrained personnel to operate the device.

LED Part No.	Chip						Lens Appearance	Absolute Maximum Ratings				Electro-Optical Data @ 20mA				Viewing Angle (Deg.)
	Material	Emitted Color	Peak Wave Length λ_p (nm)			Dom. Wave Length λ_d (nm) Typ.		$\Delta\lambda$ (nm)	Pd (mW)	If (Typ) (mA)	Peak (If) (mA)	Vf(V)		Radiant Flux P (mW)	Optical Rise Time (t _r , ns)	
			Min.	Typ.	Max.							Typ.	Max.			
SM1206UV-395-IL	InGaN	BLUE UV	390	395	400	430	WATER CLEAR	60	100	30	100	3.7	4.0	11.0	30	70
SM1206UV-400-IL	InGaN	BLUE UV	390	400	410	430	WATER CLEAR	60	100	30	100	3.7	4.0	12.0	30	70
SM1206UV-405-IL	InGaN	BLUE UV	400	405	410	430	WATER CLEAR	60	100	30	100	3.7	4.0	12.0	30	70

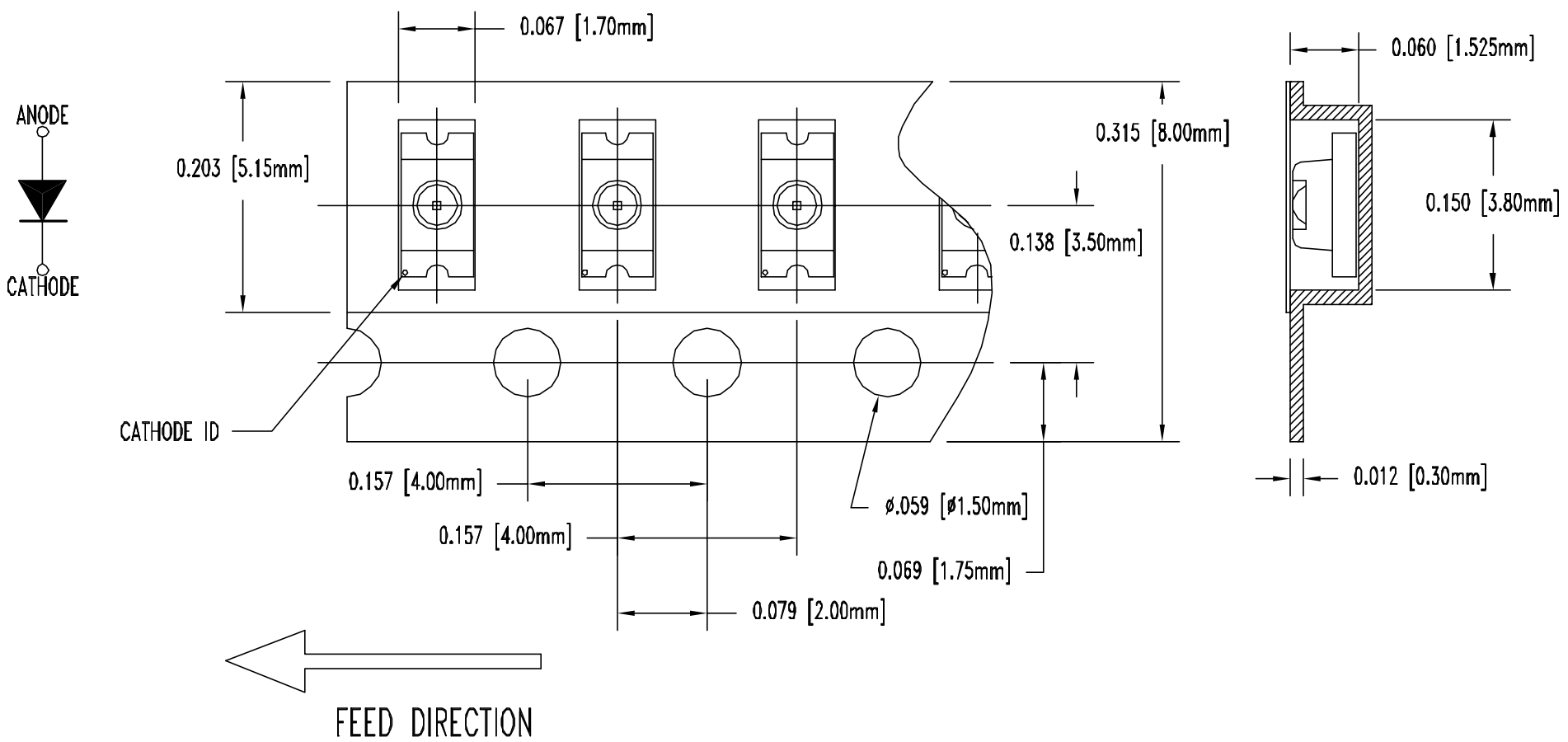
ABSOLUTE MAXIMUM RATINGS (Ta=25°C)

ELECTROSTATIC DISCHARGE THRESHOLD (HBM) _____ 1000V
 ELECTROSTATIC DISCHARGE CLASSIFICATION (MIL-STD-883E) _____ CLASS 2 (CLASS 1 FOR UV)
 LED JUNCTION TEMPERATURE _____ 125°C
 REVERSE VOLTAGE _____ 5V
 REVERSE CURRENT (V_R = 5V) _____ 10µA
 OPERATING TEMPERATURE RANGE _____ -25°C ~ 85°C
 STORAGE TEMPERATURE _____ -30°C ~ 100°C
 LEAD SOLDERING TEMPERATURE(1/16" FROM BODY) _____ 260°C FOR 5 SECONDS

Product resistance to electrostatic discharge (ESD) is measured by simulating ESD using a rapid avalanche energy test (RAET). The RAET procedures are designed to approximate the maximum ESD ratings shown. Seller gives no other assurances regarding the ability of Products to withstand ESD.

UNLESS OTHERWISE SPECIFIED: DIMENSIONS ARE IN INCHES		 4 THOMAS, IRVINE, CA.92618 TEL: (949) 951-8808 FAX: (949) 951-3974	
TOLERANCES			
DECIMALS	ANGULAR	PART NAME: 1206 SMD LED, UV	
.X ± .1	X° ± 1°		
.XX ± .02			
.XXX ± .010		DESIGNER: DAVID GREEN DATE: 05/19/03 CHECKER: M CHEN DATE: 05/19/03	
SIZE: A	DWG NAME: _____	DWG NO.: SM1206UV-XXX-IL REV: A	
SCALE: 1=1	CAGE CODE: 32559	SHEET 1 OF 2	

REV	DESCRIPTION	DATE	APPROVED
	SEE SHEET #1.		



2. UNLESS OTHERWISE SPECIFIED,
PACKAGING TO COMPLY WITH EIA-481-B
1. 3000 pcs PER REEL

UNLESS OTHERWISE SPECIFIED: DIMENSIONS ARE IN INCHES		TOLERANCES		Bivar®	
DECIMALS	ANGULAR	DECIMALS	ANGULAR	4 THOMAS, IRVINE, CA.92618	
.X ± .1	° ± 1'	.X ± .1	° ± 1'	TEL: (949) 951-8808 FAX: (949) 951-9074	
.XX ± .02		.XX ± .02		PART NAME: 1206 SMD LED, UV	
.XXX ± .010		.XXX ± .010		SIZE A	DWG NO. SM1206UV-XXX-IL
DESIGNER DAVID GREEN	DATE 05/19/03	CHECKER M CHEN	DATE 05/19/03	SCALE 1=1	CAGE CODE 32559
				SHEET 2 OF 2	

Mouser Electronics

Authorized Distributor

Click to View Pricing, Inventory, Delivery & Lifecycle Information:

BIVAR:

[SM1206UV-405IL](#) [SM1206UV-405-IL](#)