

Customer Information Sheet

DRAWING No.: M22-636XXX SHEET 2 OF 2

IF IN DOUBT - ASK

©

NOT TO SCALE

THIRD ANGLE PROJECTION

ALL DIMENSIONS IN mm

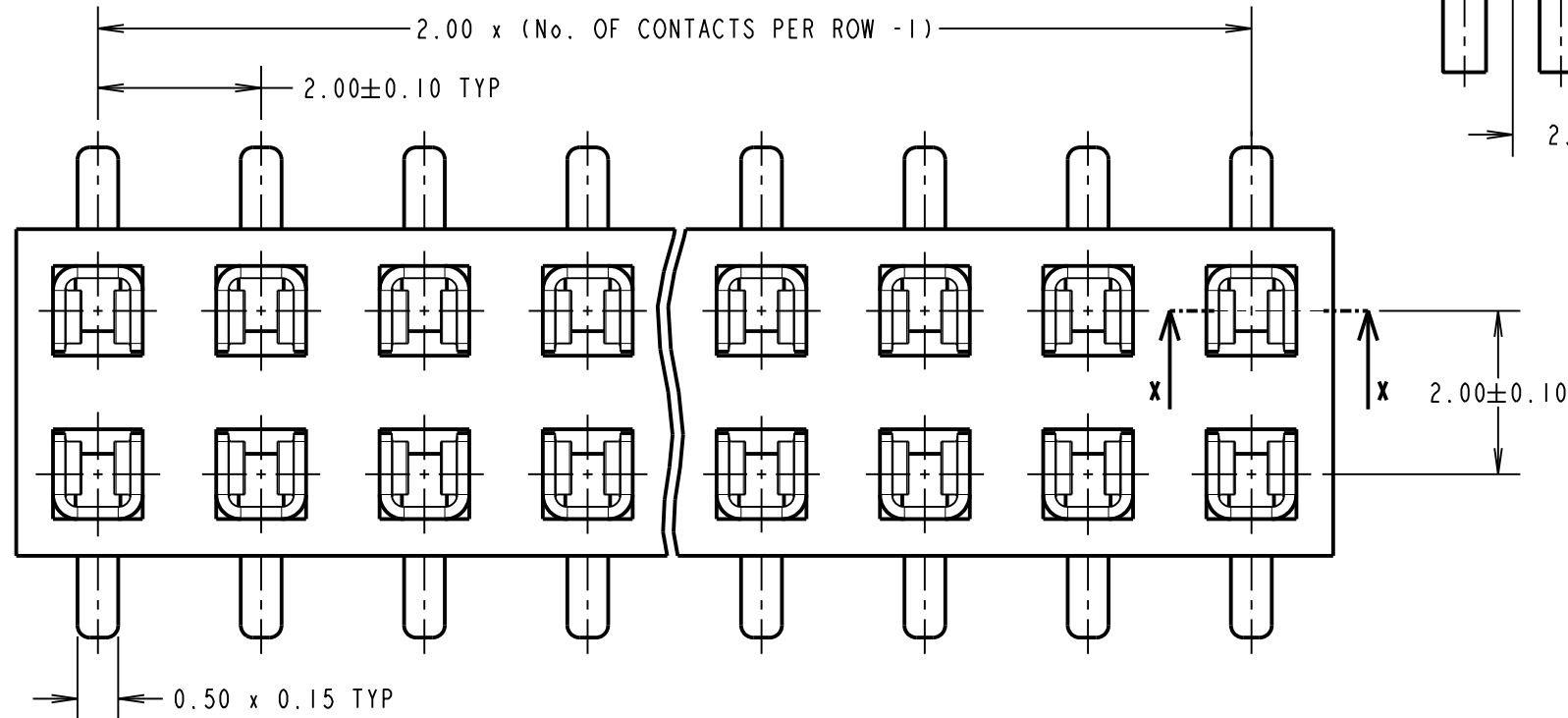
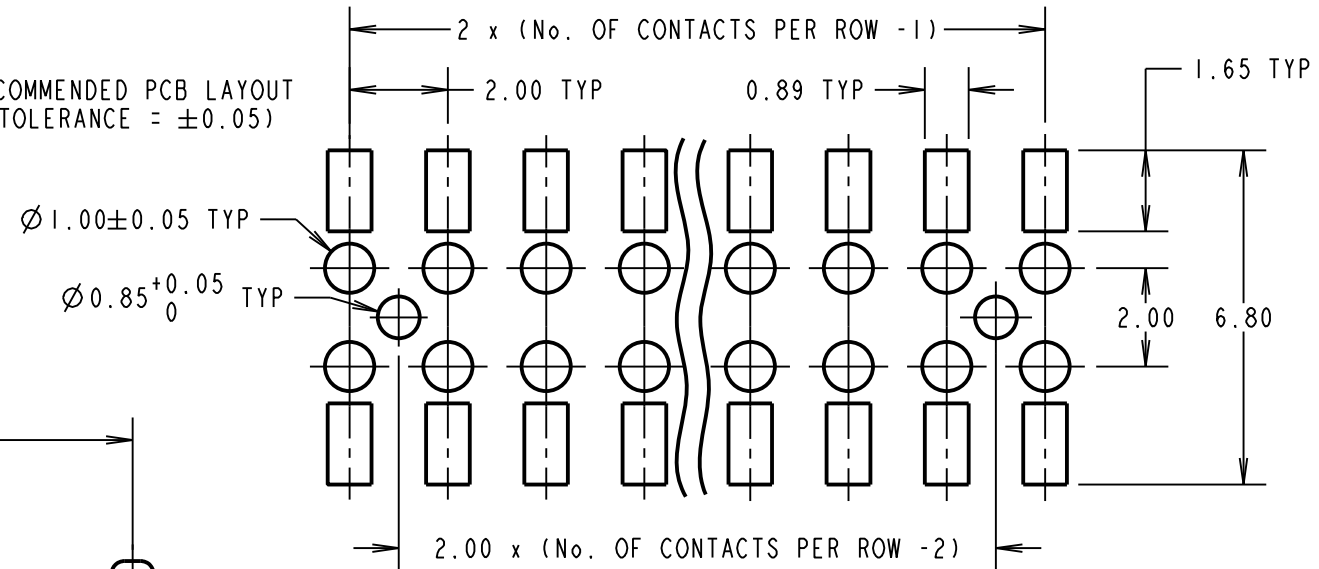
ORDER CODE: **M22-636XXX**
 No. OF CONTACTS PER ROW: 02 TO 20
 FINISH:
 42 - SELECTIVE GOLD FLASH & 100% TIN
 46 - 100% TIN

Active products:

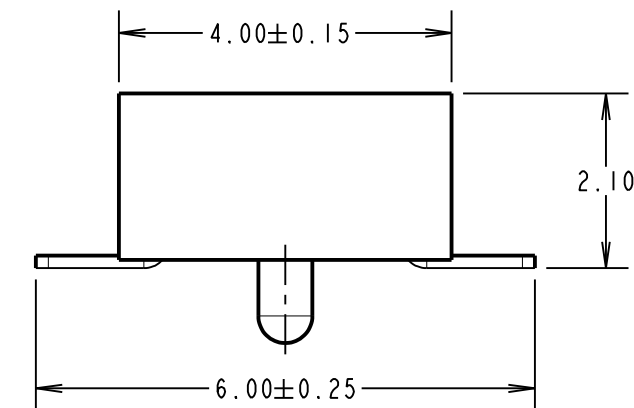
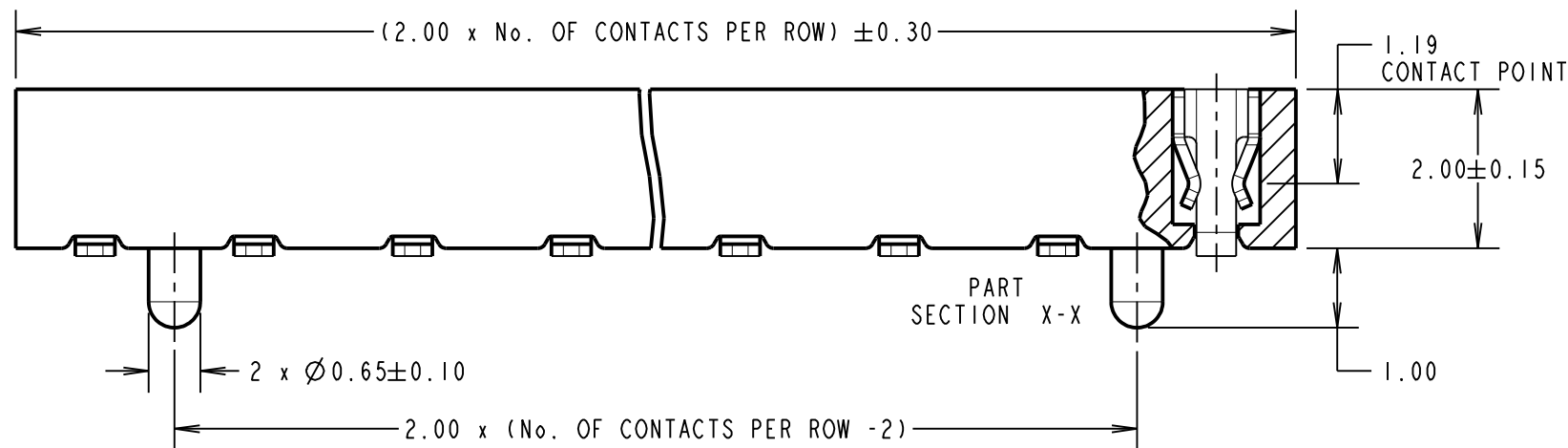
M22-63603XX
 M22-6360442
 M22-63605XX
 M22-63606XX
 M22-6360742
 M22-6360842
 M22-6361042
 M22-6361242

OBSOLETE
 All other size/finish combinations not listed above

RECOMMENDED PCB LAYOUT
 (TOLERANCE = ±0.05)



SPECIFICATION:
 MATERIAL = PA9T, UL94V-0, BLACK
 CONTACTS = PHOSPHOR BRONZE
 FINISH:
 42 = NICKEL ALL OVER WITH GOLD FLASH ON CONTACT AREA AND 100% TIN ON TAILS
 46 = 100% TIN OVER NICKEL
 ELECTRICAL:
 CURRENT RATING = 2A
 CONTACT RESISTANCE = 20mΩ MAX
 INSULATION RESISTANCE = 1000MΩ MIN
 DIELECTRIC WITHSTANDING = 500V AC MIN
 MECHANICAL:
 DURABILITY = 300 CYCLES MIN
 INSERTION FORCE = 1.77N MAX
 WITHDRAWAL FORCE = 0.25N MIN
 ENVIRONMENTAL:
 TEMPERATURE RANGE = -40°C TO +105°C
 PACKING:
 TUBE
 FOR COMPLETE SPECIFICATION, SEE COMPONENT SPECIFICATION C018XX (LATEST ISSUE).



MSP	11	04.10.16	13421
NAME	ISS.	DATE	C/NOTE
APPROVED:		M.PERREN	
CHECKED:		S.BENNETT	
DRAWN:		D.BECK	
CUSTOMER REF.:			
ASSEMBLY DRG:			

NOTES:
 1. ALL TOLERANCES ARE ±0.25, UNLESS OTHERWISE STATED.

HARWIN
 www.harwin.com
 technical@harwin.com

THIS DRAWING AND ANY INFORMATION OR DESCRIPTIVE MATTER SET OUT HEREON ARE CONFIDENTIAL AND COPYRIGHT PROPERTY OF THE HARWIN GROUP AND MUST NOT BE DISCLOSED, LOANED, COPIED OR USED FOR MANUFACTURING, TENDERING OR FOR ANY OTHER PURPOSE WITHOUT THEIR WRITTEN PERMISSION.

TOLERANCES
 X = ±1mm
 X.X = ±0.25mm
 X.XX = ±0.10mm
 X.XXX = ±0.01mm
 ANGLES = ±5°
 UNLESS STATED

MATERIAL:
 SEE ABOVE
FINISH:
 SEE ABOVE
S/AREA:
 mm²

TITLE:
 2mm PITCH DIL SMT VERTICAL LOW PROFILE SOCKET ASSEMBLY
DRAWING NUMBER:
M22-636XXX
 SHT 2 OF 2

Mouser Electronics

Authorized Distributor

Click to View Pricing, Inventory, Delivery & Lifecycle Information:

Harwin:

[M22-6360442](#) [M22-6360446](#) [M22-6360542](#) [M22-6360546](#) [M22-6360642](#) [M22-6360646](#) [M22-6360742](#) [M22-6360746](#) [M22-6360842](#) [M22-6360846](#) [M22-6360942](#) [M22-6360946](#) [M22-6361042](#) [M22-6361046](#) [M22-6361142](#) [M22-6361146](#) [M22-6361242](#) [M22-6361246](#) [M22-6361342](#) [M22-6361346](#) [M22-6361442](#) [M22-6361446](#) [M22-6361542](#) [M22-6361546](#) [M22-6361642](#) [M22-6361646](#) [M22-6361742](#) [M22-6361746](#) [M22-6361842](#) [M22-6361846](#) [M22-6361942](#) [M22-6361946](#) [M22-6362042](#) [M22-6362046](#) [M22-6360346](#) [M22-6360342](#)