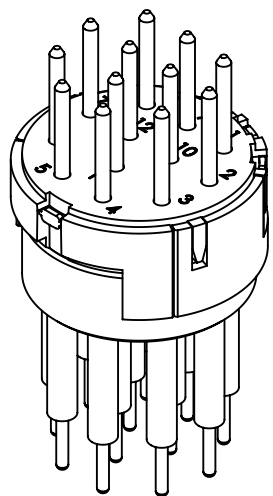
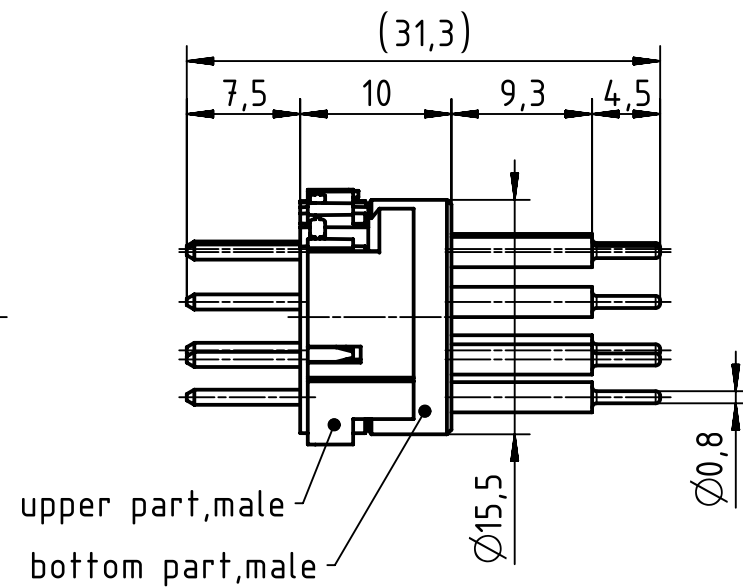
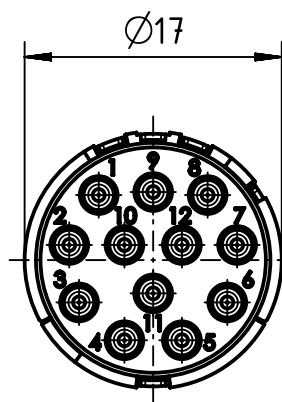
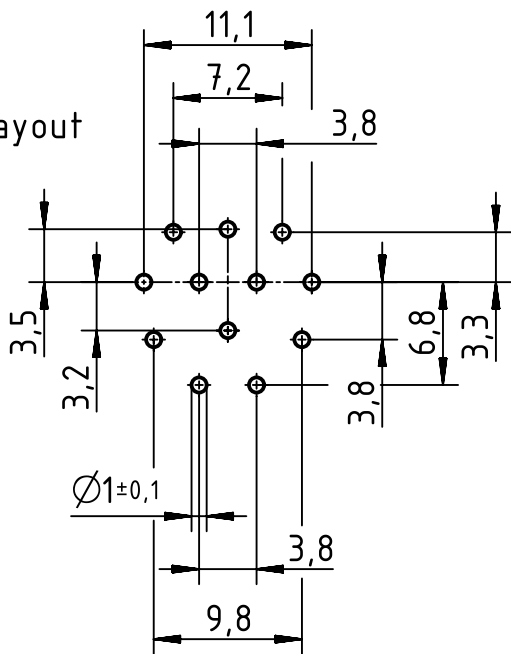



PCB layout



	All rights reserved Department EL PD - DE	All Dimensions in mm Original Size DIN A4		Scale 2:1	Free size tol.	Ref.	
		Created by HELLMANN	Inspected by RIEPE	Standardisation RUETERA	Date 2017-02-23	State Final Release	
HARTING Electric GmbH & Co. KG D-32339 Espelkamp		Title Han M23 12 Male -soldered contact				Doc-Key / ECM-Nr. 100709413/UGD/000/A 500000115496	
		Type TB	Number 09 15 112 2603			Rev. A	Page 1/1

# Mouser Electronics

Authorized Distributor

Click to View Pricing, Inventory, Delivery & Lifecycle Information:

[HARTING:](#)

[09151122603](#)