

5

4

3

2

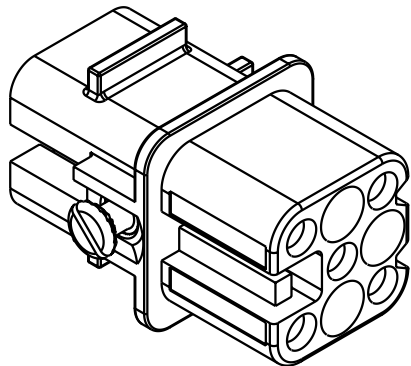
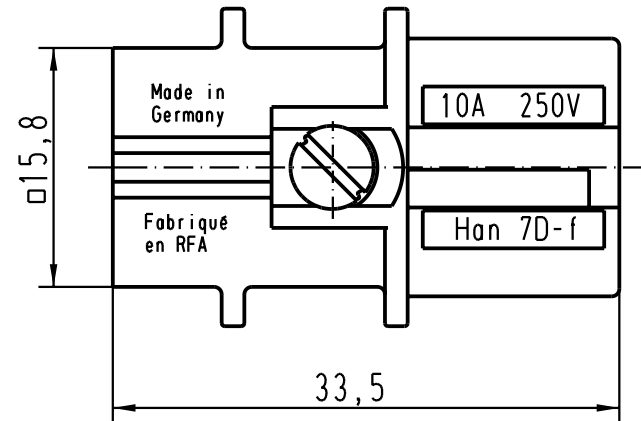
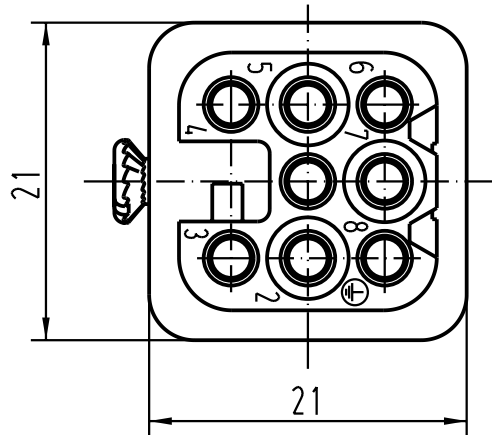
1



D

C

B

A



 All Dimensions in mm Original Size DIN A 4			Techn. Character.			Nicht tolerierte Masse/ Free size tolerances		
				Dat.	Name	Massestab/Scale		Han 7D-f Buchsenträger/ female inserts
			Detail.	25.02.93	PENNER	2:1		
			Insp.		HERB			
			Stand.					
410278	01.12.02	DY	HARTING Electric GmbH & Co. KG			 TB 09 21 007 3131		Blatt/ page
Mod.	Dat.	Name	D-32339 Espelkamp					

Mouser Electronics

Authorized Distributor

Click to View Pricing, Inventory, Delivery & Lifecycle Information:

[HARTING:](#)

[09210073131](#)