

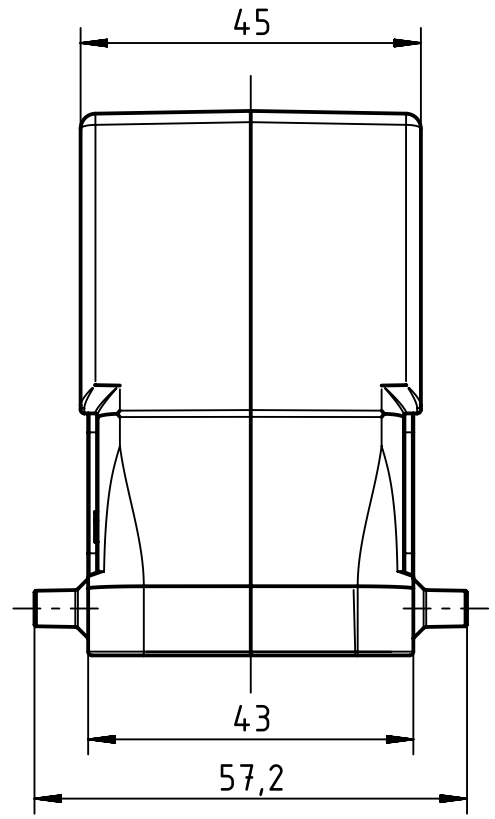
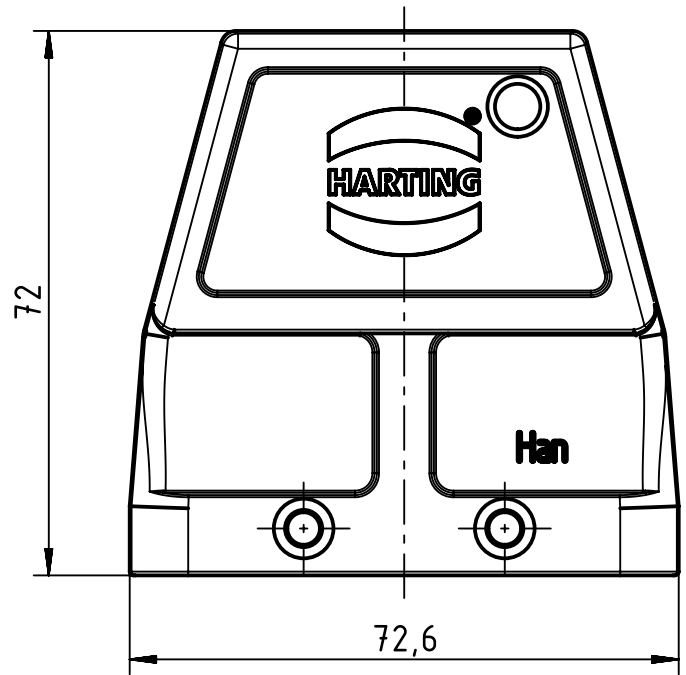
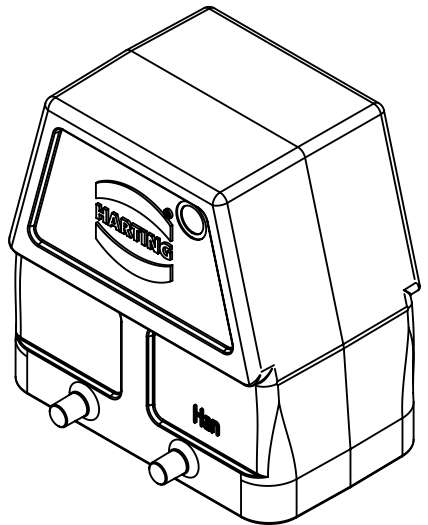
1 2 3 4 5 6

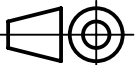

A

B

C

D



 All Dimensions in mm Original Size DIN A4	Scale	Free size tol.			Ref.	
	1:1				Sub. TB 09 30 010 0801 v. 23.08.00	
 All rights reserved Department EL PD - DE	Created by	Inspected by	Standardisation	Date	State	
	SCHULZI	BERGHORN	TIEMANNA	2014-07-21	Final Release	
HARTING Electric GmbH & Co. KG D-32339 Espelkamp				Title Han 10B-g		Doc-Key / ECM-Nr. 100231447/UGD/002/B 500000061817
Type	TB	Number 09 30 010 0801			Rev.	B
					Page	1/1

Mouser Electronics

Authorized Distributor

Click to View Pricing, Inventory, Delivery & Lifecycle Information:

[HARTING:](#)

[09300100801](#)