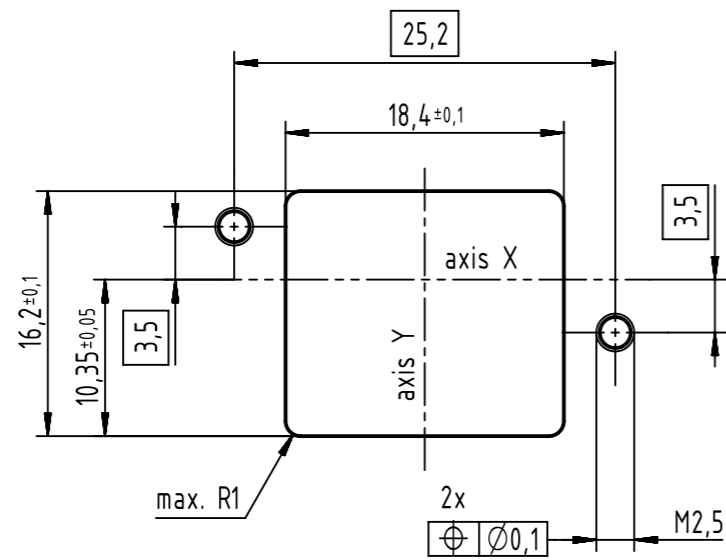
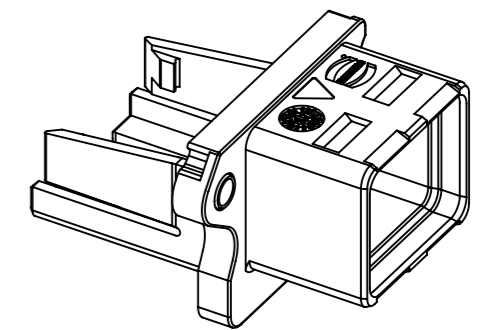
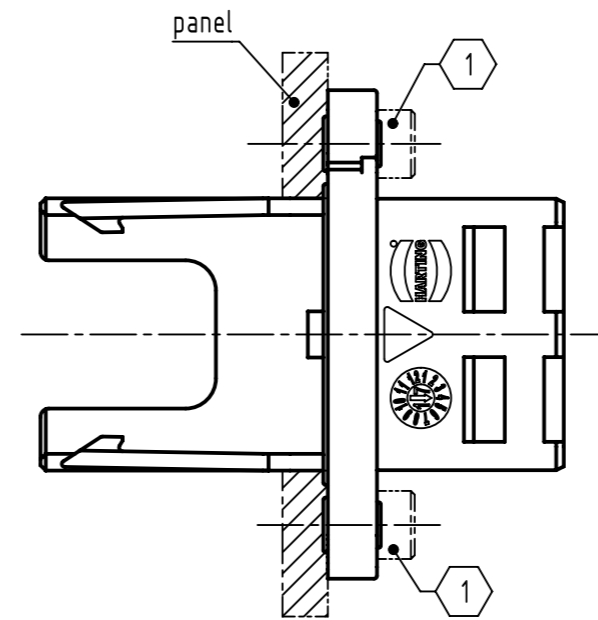


panel cutting



connector pitch on panel:
axis X = 27mm and axis Y = 21mm

panel thickness = max. 3.5mm



1 2x M2.5; screws acc. to ISO 4762;
please order separately; bolting torque 0.3Nm - 0.5Nm

	All rights reserved Department EC PD - DE HARTING Electronics GmbH D-32339 Espelkamp	All Dimensions in mm Original Size DIN A3		Scale 2:1	Free size tol.	Ref. Sub.
		Created by HASELOH	Inspected by LUECKEMEIERM	Standardisation HOFFMANN	Date 2017-04-04	State Final Release
Title HARTING PushPull V4 Compact Housing HIFF					Doc-Key / ECM-Nr. 100626925/UGD/002/C 500000117442	
Type TB		Number 09455450041		Rev. C	Page 1/1	

Mouser Electronics

Authorized Distributor

Click to View Pricing, Inventory, Delivery & Lifecycle Information:

[HARTING:](#)

[09455450041](#)