

5

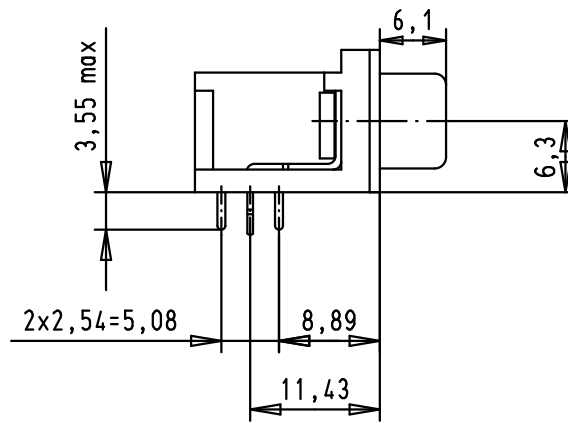
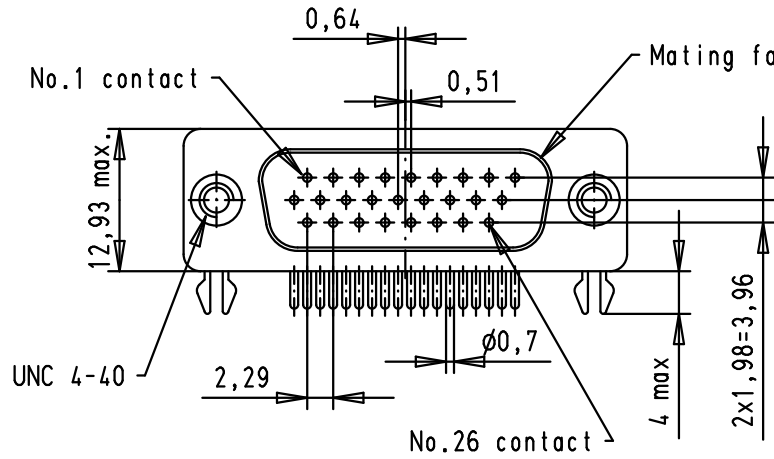
4

3

2

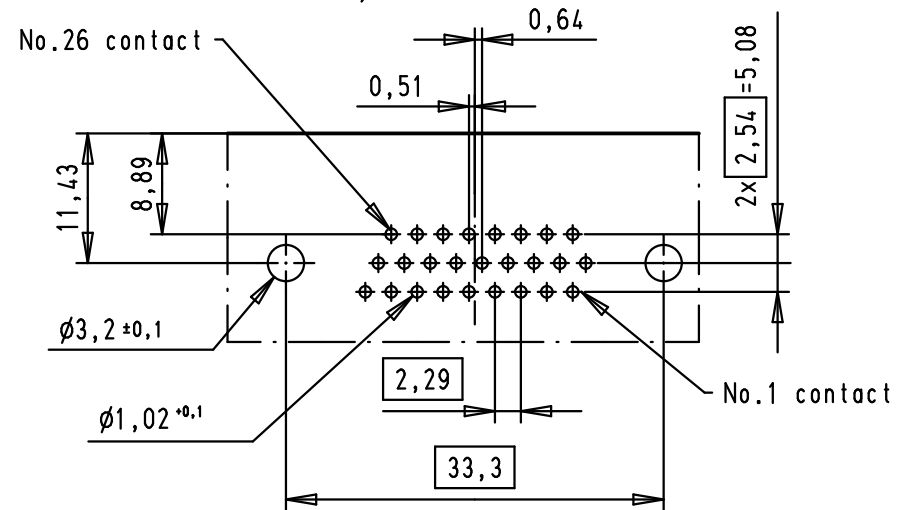
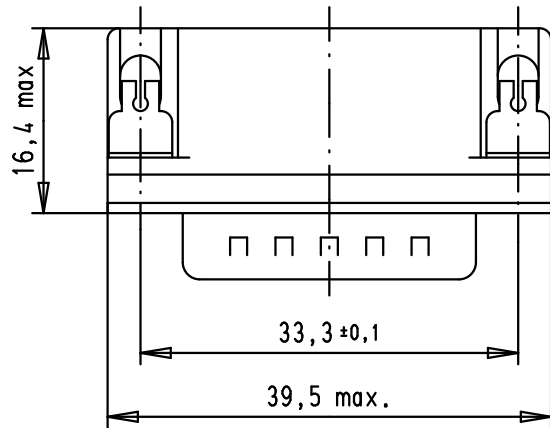
1

D




Printed board layout, component side
PCB thickness 1,6mm

C



B

A

						Dat.	Name	 All Dim. in mm Orig. Size DIN A 4	Dsub, 26 poles, male, angled solder pins, board locks, shell with dimples	Maßstab/ Scale 1.5:1	
						Detail.	16-SEP-02				CV
						Insp.					
09562625812	S4		31181	11/10/10	BH						
09562627812	PL3		EC02035	07/07/10	SC						
Part number	Performance level		Mod.	Dat.	Name	HARTING EURL F-95972 Paris			TB 09 56 262 x812 Sub.		
										Blatt/ Page 1 / 1	

Mouser Electronics

Authorized Distributor

Click to View Pricing, Inventory, Delivery & Lifecycle Information:

[HARTING:](#)

[09562625812](#) [09562627812](#)