

5

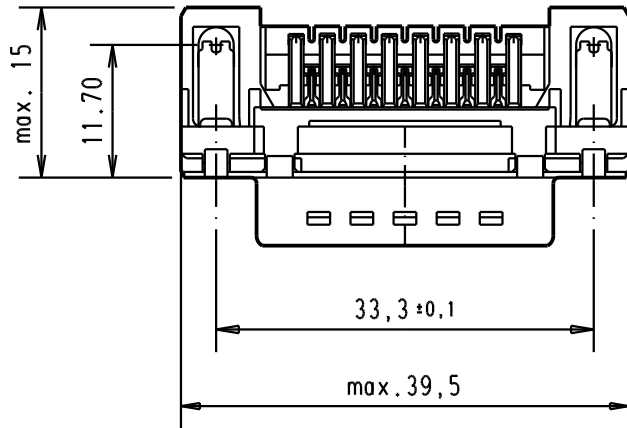
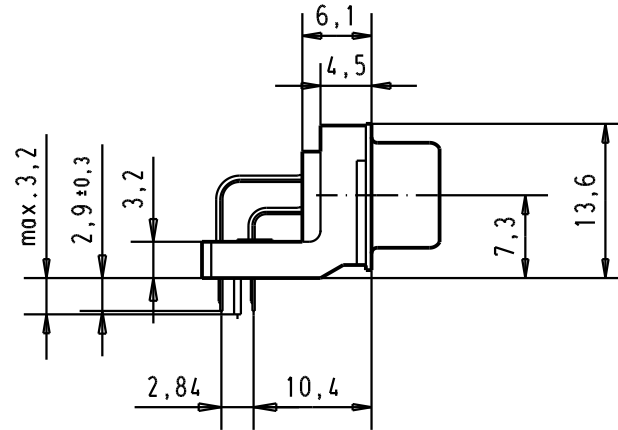
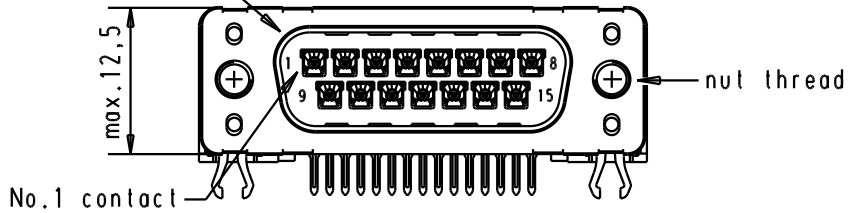
4

3

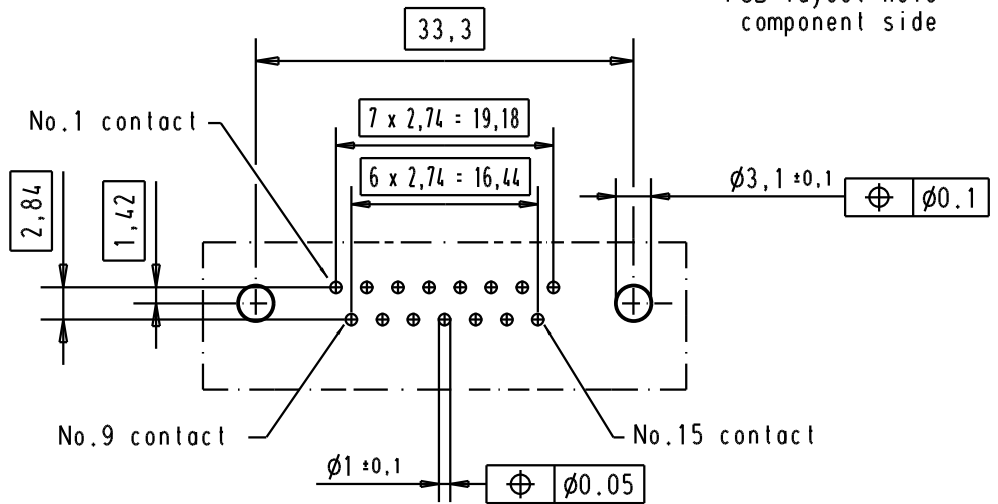
2

1

Mating face according to : MIL-C-24308 / DIN 41652 / CECC 75301-802

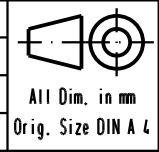


PCB layout hole component side



Connector retention and insertion forces on the PCB = 25 / 80 newtons

| | | | | | | | | | | | | |
|----------------|------------|-------------------|-------|-----------|---------|-------------------------------|-----------|---------|--|--|--|--|
| 09 65 263 3811 | M3 | 1 | | | | | | | | | | |
| 09 65 263 6811 | M3 | 2 | | | | | | | | | | |
| 09 65 263 7811 | M3 | 3 | 31892 | 22/04/04 | JH | Detail. | 18/dec/00 | ALSPACE | | | | |
| 09 65 263 3812 | 4-40 UNC | 1 | 31084 | 04/09/02 | YT | Insp. | | | | | | |
| 09 65 263 6812 | 4-40 UNC | 2 | 29689 | 03/07/01 | AA | Stand. | | | | | | |
| 09 65 263 7812 | 4-40 UNC | 3 | 27960 | 18/dec/00 | ALSPACE | HARTING EURL F-95972 Paris | | | | | | |
| Part number | Nut thread | Performance level | Mod. | Dat. | Name | | | | | | | |



D-Sub, male, standard angle, 15 poles, with solder pin, nut and grounding board lock

Moßstab/Scale 1.5:1



TB 0965263x81x

Blatt/ Page 2

Mouser Electronics

Authorized Distributor

Click to View Pricing, Inventory, Delivery & Lifecycle Information:

[HARTING:](#)

[09652636812](#) [09652637812](#)