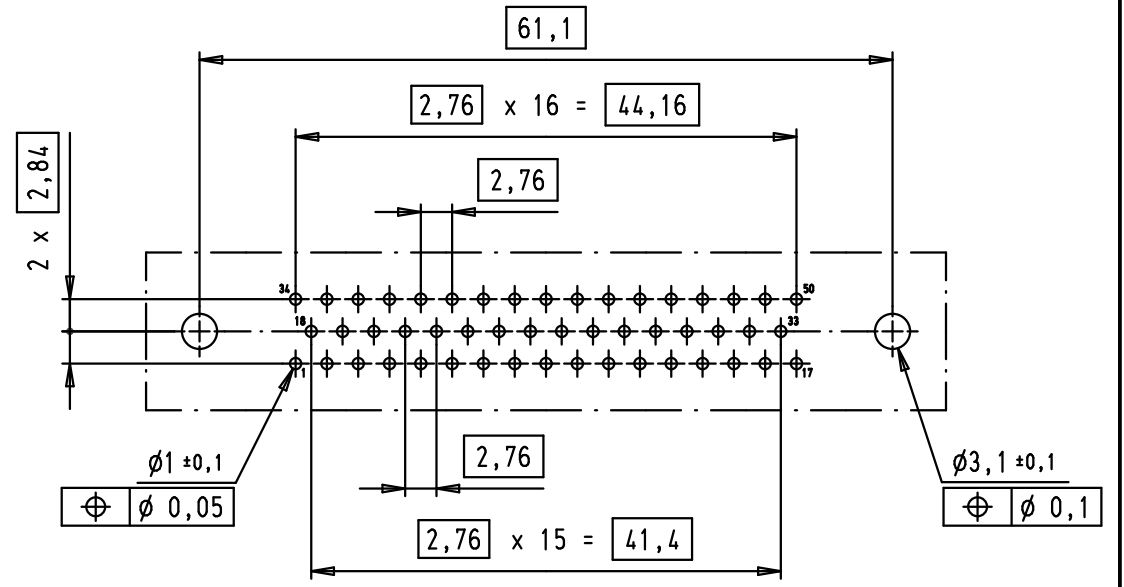
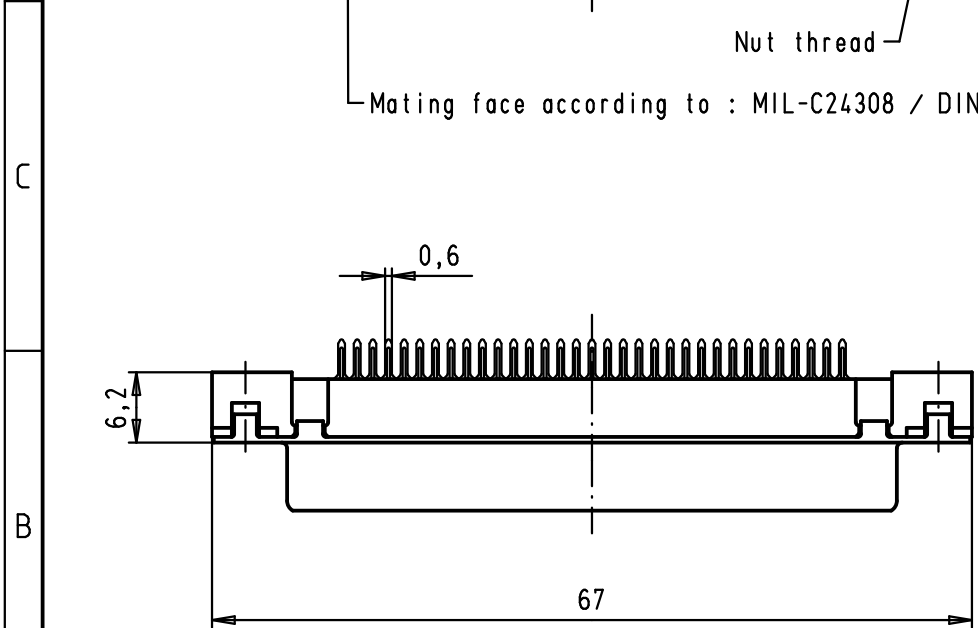


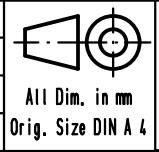
Mating face according to : MIL-C24308 / DIN 41652 / CECC 75301-802

PCB layout, component side



09 66 511 3501	M3	1
09 66 511 6501	M3	2
09 66 511 7501	M3	3
09 66 511 3502	4-40 UNC	1
09 66 511 6502	4-40 UNC	2
09 66 511 7502	4-40 UNC	3
Part number	Nut thread	Performance level

			Dot.	Name
			Detail.	19/08/09 PK
			Insp.	
			Stand.	
EC00737	19/08/09	PK	HARTING EURL F-95972 Paris	
Mod.	Dot.	Name		



D-Sub, female, straight,
50 poles, solder pins
and nuts

Maßstab/
Scale
1,5:1

TB 09 66 511 X50X
Sub.

Blatt/ Page
1 / 1

Mouser Electronics

Authorized Distributor

Click to View Pricing, Inventory, Delivery & Lifecycle Information:

[HARTING:](#)

[09665116502](#) [09665117501](#) [09665116501](#) [09665117502](#)