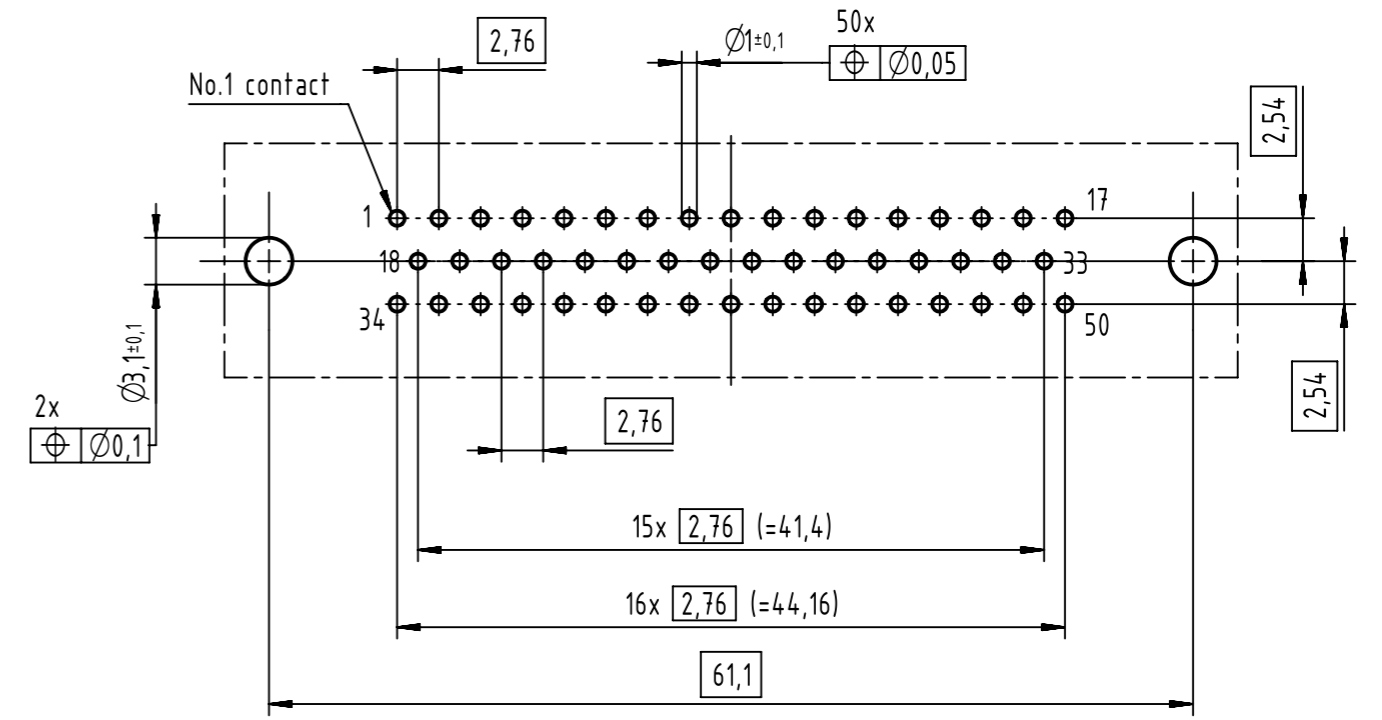
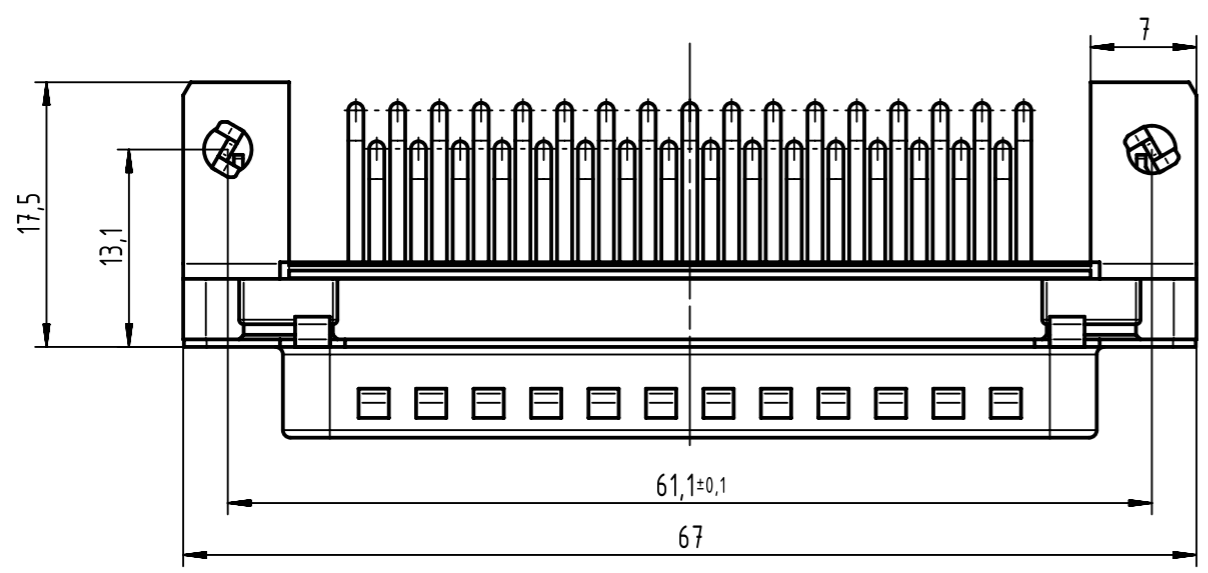


Printed board layout (1,6±0,2 thick)
view component side
(PCB plating = Tin)



Mounting force on Printed board: 25-80 N

| part number | performance level | nut thread |
|---------------|-------------------|------------|
| 0966 562 7811 | AU3 | M3 |
| 0966 562 7812 | AU3 | 4-40 UNC |
| 0966 562 6811 | AU2 | M3 |
| 0966 562 6812 | AU2 | 4-40 UNC |
| 0966 562 5811 | 0,76µmm AU | M3 |
| 0966 562 5812 | 0,76µmm AU | 4-40 UNC |

| | | | | |
|---|--|-----------------------|----------------------|---|
| | All Dimensions in mm Original Size DIN A3 | Scale 2:1 | Free size tol. | Ref. |
| | All rights reserved Department EC PD - CN | Created by ZHUANGJ | Inspected by LUOK | Standardisation HOFFMANN |
| HARTING Electronics GmbH D-32339 Espelkamp | Title D-sub standard 50-pole male 2,54mm pitch assembly | | | Doc-Key / ECM-Nr. 100634787/UGD/000/A 50000095926 |
| | Type TB | Number 0966562X81Y | Rev. A | Page 1/1 |

Mouser Electronics

Authorized Distributor

Click to View Pricing, Inventory, Delivery & Lifecycle Information:

[HARTING:](#)

[09665627811](#) [09665626812](#) [09665626811](#) [09665627812](#)