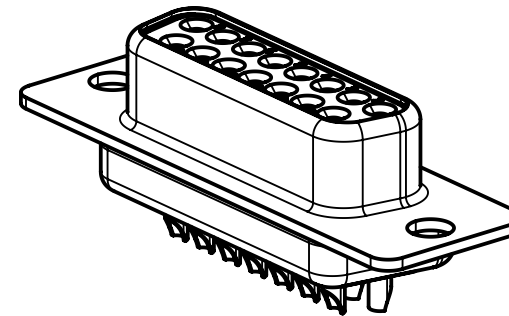
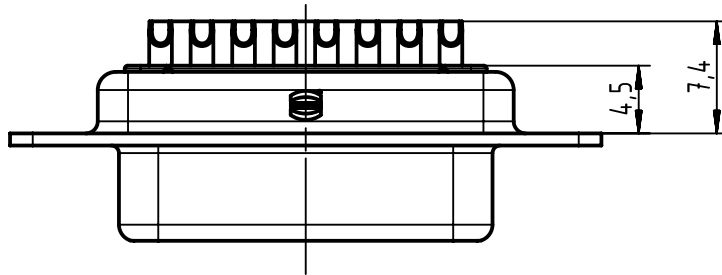
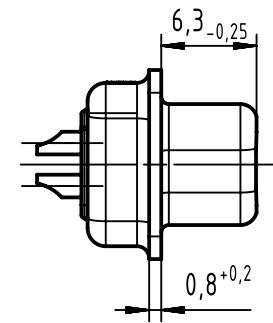
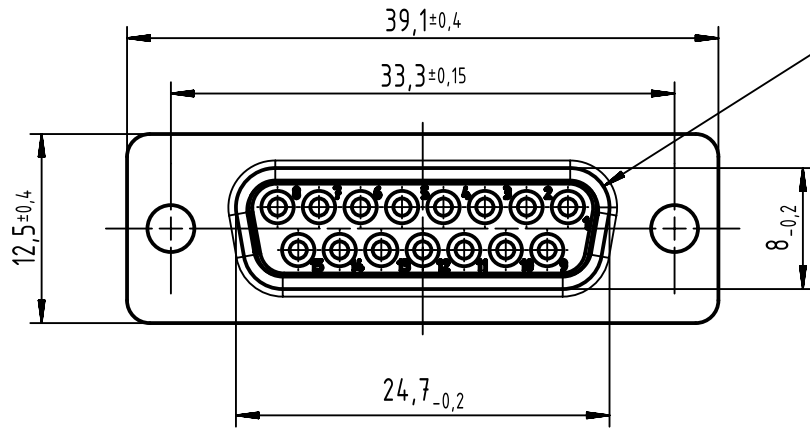


Mating face according to MIL-C-24308 / DIN 41652 / CECC 75301-802



All Dimensions in mm
Original Size DIN A4

Scale
2:1

Free size tol.

Ref.

Sub.

0967 015 4704

PL3

096 7015 4715 211

PL2

0967 015 4715 050

S4

0967 015 4715

PL2

Part number

Performance level



All rights reserved

Department EL PD

HARTING Electronics GmbH

D-32339 Espelkamp

Created by
ZHUANGJ

Inspected by
LUOK

Standardisation
HOFFMANN

Date
2018-05-02

State
Final Release

Title
D-Sub female 15-pole straight solder buckets

Doc-Key / ECM-Nr.
100774108/UGD/000/A
500000132564

Type
TB

Number
096701547XX

Rev.
A

Page
1/1

Mouser Electronics

Authorized Distributor

Click to View Pricing, Inventory, Delivery & Lifecycle Information:

[HARTING:](#)

[09670154715](#) [09670154704](#)