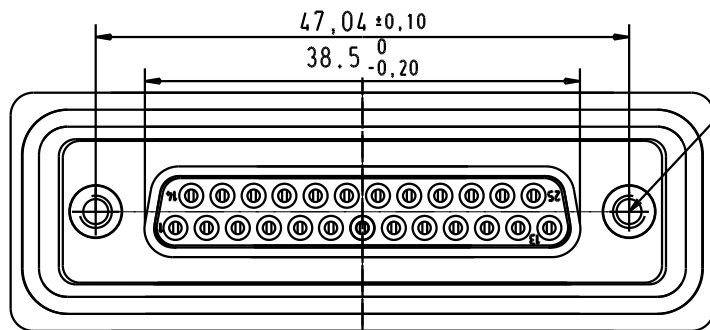
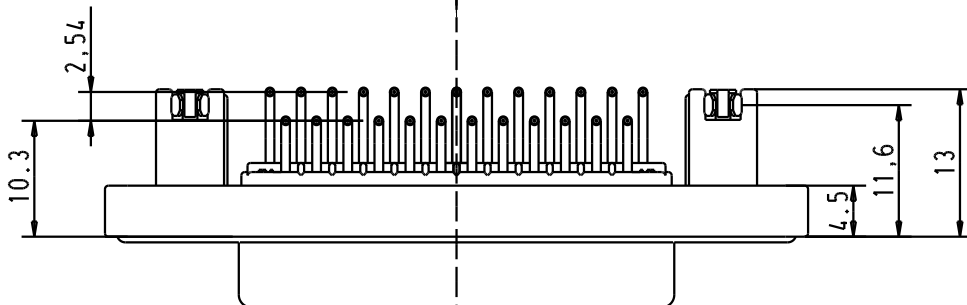
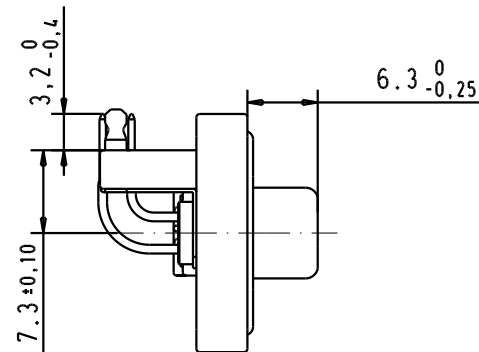


Mating face according to : MIL-C-24308 / DIN 41652 / CECC 75.01-802

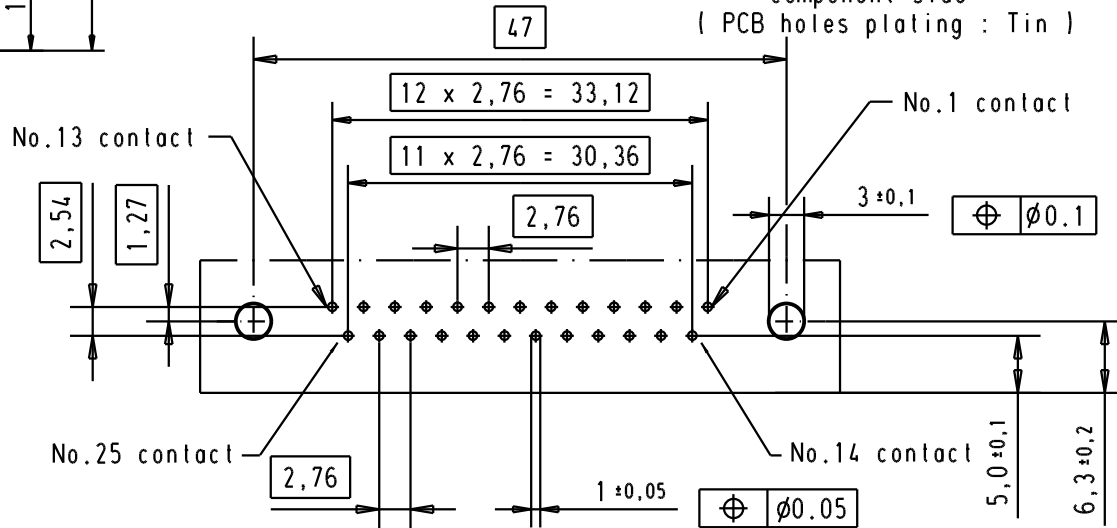
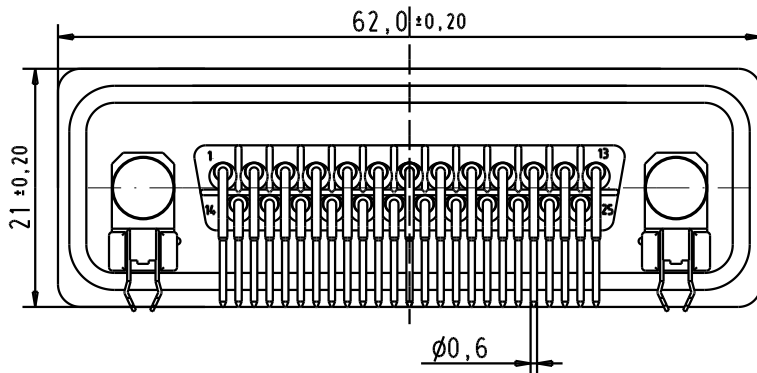


4-40 UNC -2B
length of engagement 3.5




1) Protection standard IP 67 according to IEC 529 / DIN 40050.

PCB layout hole
component side
(PCB holes plating : Tin)



09 67 525 6758	Au plating 0,76 μ m mini
Part Number	Performance Level

			Dat.	Name	 All Dim. in mm Orig. Size DIN A 4	
			Detail.	20/01/04		S.H.
			Insp.			
			Stand.			
31587	20/01/04	S.H.	HARTING ELEKTRONIK			
Mod.	Dat.	Name	F-95972 Paris			

D-SUB IP67 female 25 Poles angled solder pin with bracket and clip for 1.6mm PCB 4-40 UNC nut			Moßstab/ Scale
TB 09 67 525 6758			Blatt / Page
Sub.			



Mouser Electronics

Authorized Distributor

Click to View Pricing, Inventory, Delivery & Lifecycle Information:

[HARTING:](#)

[09675256758](#)