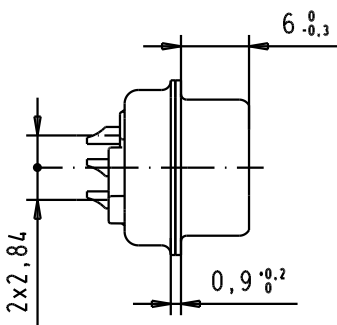
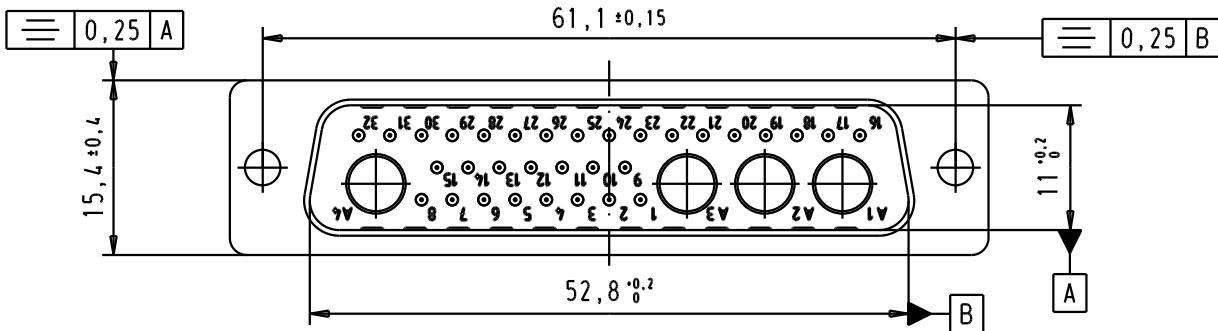
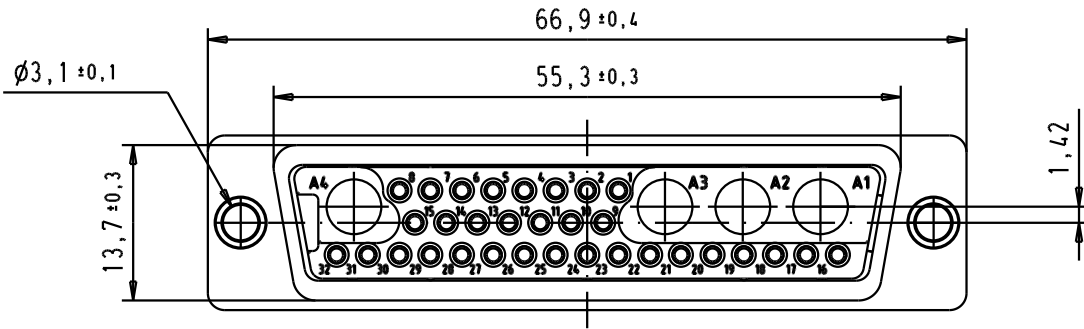
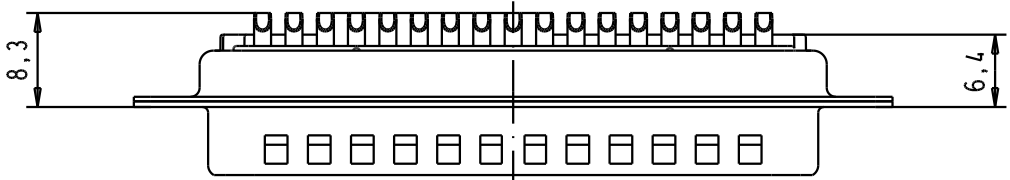


5 4 3 2 1



Solder bucket for AWG 20 Max



09 69 511 7364	PL3
09 69 511 5364	S4
part number	performance level

33100	15/09/05	JMDR
Mod.	Dat.	Name

	Dat.	Name
Detail.	15/09/05	JMDR
Insp.		
Stand.		
HARTING EURL F-95972 Paris		



D-sub, male, straight, 36W4 without power contact, solder bucket, tin plated shell with dimples and holes
TB 09 69 511 x364
Sub.

Maßstab/ Scale
1,5:1
Blatt/ Page
1/1

Mouser Electronics

Authorized Distributor

Click to View Pricing, Inventory, Delivery & Lifecycle Information:

[HARTING:](#)

[09695115364](#) [09695117364](#)