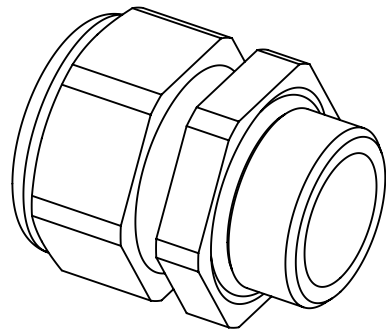
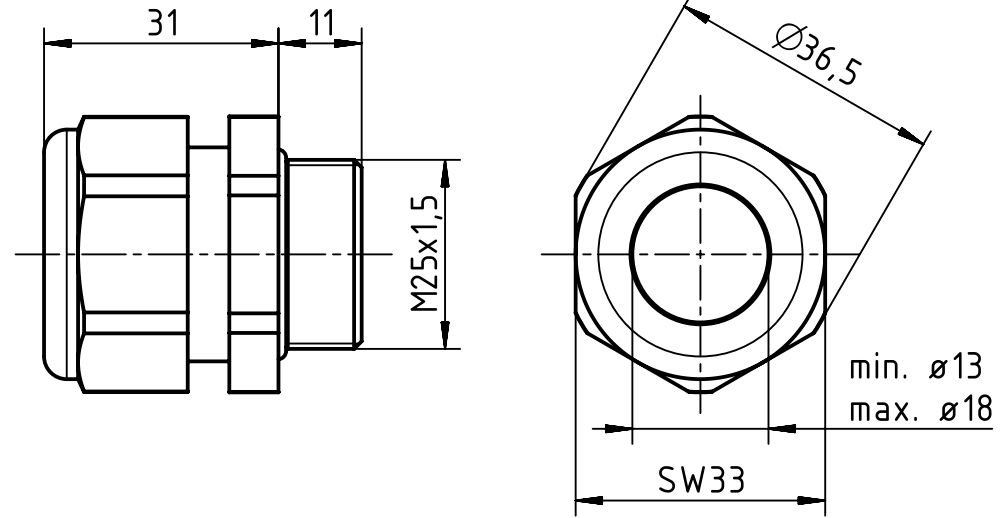



1 2 3 4 5 6

A  
B  
C  
D



	All Dimensions in mm Original Size DIN A4		Scale 1:1	Free size tol.		Ref.		
	All rights reserved Department EL PD - DE		Created by HOLLERT	Inspected by RIEPE	Standardisation TIEMANNA	Date 2015-06-26	State Final Release	
HARTING Electric GmbH & Co. KG D-32339 Espelkamp			Title Cable gland M25, 13-18mm, plastic, black				Doc-Key / ECM-Nr. 100625088/UGD/002/A 500000089930	
			Type TB	Number 19 00 000 5193			Rev. A	Page 1/1

# Mouser Electronics

Authorized Distributor

Click to View Pricing, Inventory, Delivery & Lifecycle Information:

[HARTING:](#)

[19000005193](#)