

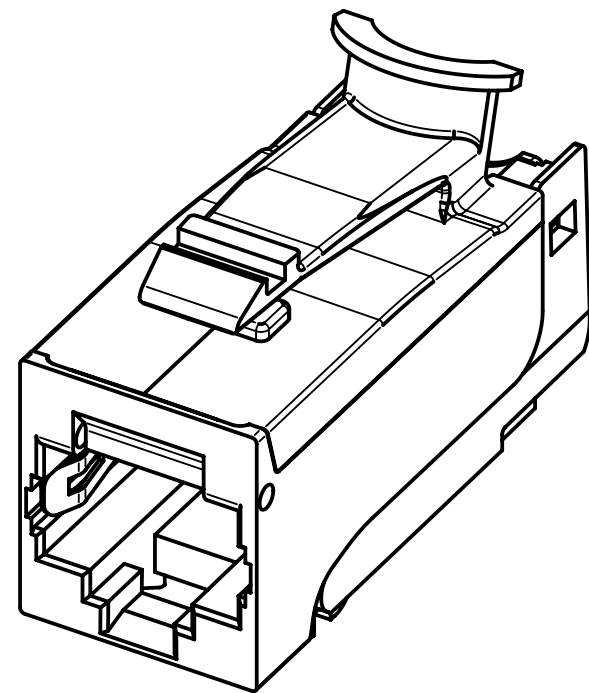
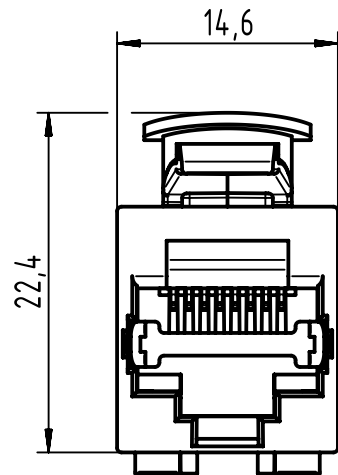
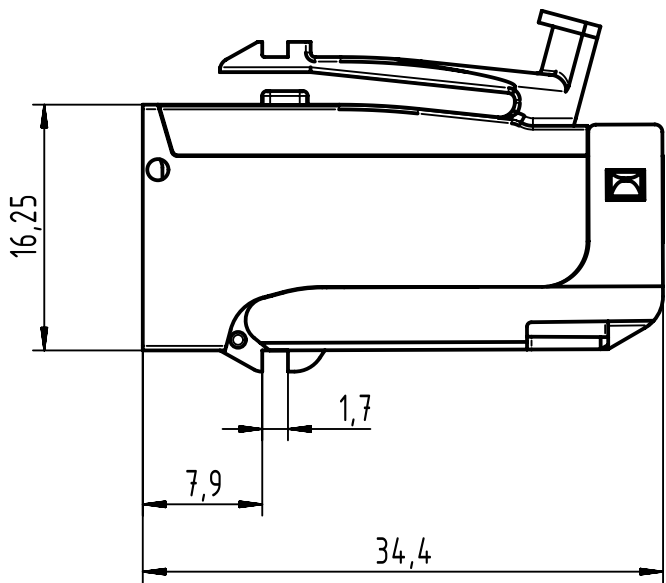
1 2 3 4 5 6

A

B

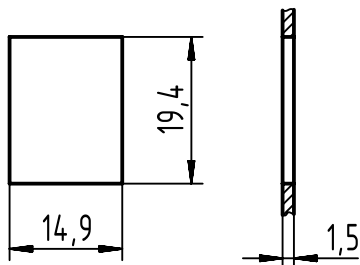
C

D



enclosed 1x cable tie

Panel cut-out



	All rights reserved Department EC PD - RO	All Dimensions in mm Original Size DIN A4		Scale 2:1	Free size tol.	Ref. Sub.
		Created by TAMAS	Inspected by AVRAM	Standardisation HOFFMANN	Date 2014-09-25	State Final Release
HARTING Electronics GmbH D-32339 Espelkamp		Title Ha-VIS preLink RJ45 Keyst. module angled			Doc-Key / ECM-Nr. 100594259/UGD/001/A 500000079917	
		Type TB	Number 20825000002		Rev. A	Page 1/1

Mouser Electronics

Authorized Distributor

Click to View Pricing, Inventory, Delivery & Lifecycle Information:

[HARTING:](#)

[20825000002](#)