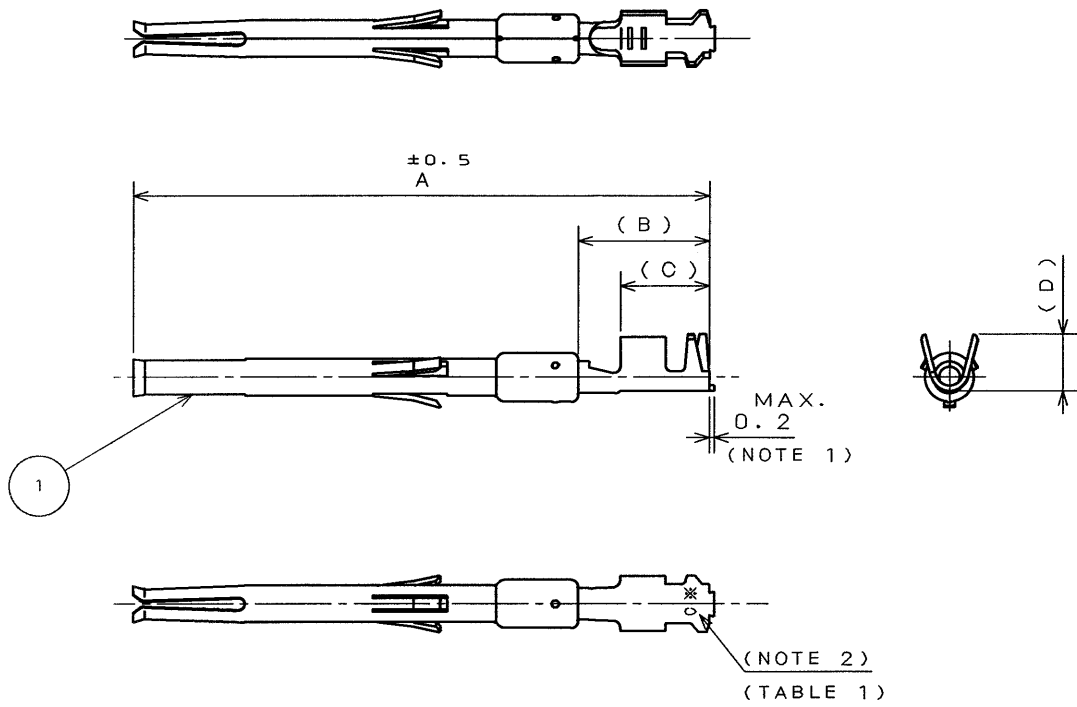


SYM.	DCN NO.	DESCRIPTION	DATE	DRAWN	CHECKED	APP 'D	APP 'D
------	---------	-------------	------	-------	---------	--------	--------



NOTE 1. NO PLATING ON THE SHEARED EDGES OF CONTACT.
 NOTE 2. CRIMP TYPE ARE MARKED AS INDICATED.

TABLE 1

CRIMP TYPE	APPLICABLE WIRE		DIMENSIONS			
	WIRE SIZE	INSULATION OUTER DIA.	A	B	C	D
C 1	AWG#18~22 (0.8mm~0.3mm)	φ 2.3MAX.	28.43	5.81	3.92	2.49
C 2	AWG#22~26 (0.3mm~0.13mm)	φ 1.0~φ 1.7	29.04	6.42	4.53	2.7

1	#20 SOCKET CONTACT	1	COPPER ALLOY	SILVER PLATING	
ITEM	DESCRIPTION	Q'TY	MATERIAL	FINISH	REMARKS
UNLESS OTHERWISE SPECIFIED: T700142		DATE	TITLE		JAE-CONNECTOR.COM Reference Only JAPAN AVIATION ELECTRONICS INDUSTRY, LTD. MUSASHINO, AKISHIMA-SHI TOKYO, JAPAN DWG. NO. SJ025421-E
DIMENSIONS ARE IN MILLIMETERS		13. Mar. '95	ST-JL05-20S-01		
TOLERANCES ON : (INCHES)		DRAWN	(#20 SOCKET CONTACT) (INDIVIDUAL)		
FRACTIONS	DECIMALS	ANGLES	APP'D	SCALE	
			APP'D	SERIES	
			M. Takagi	JL05	3/1

Mouser Electronics

Authorized Distributor

Click to View Pricing, Inventory, Delivery & Lifecycle Information:

[JAE Electronics:](#)

[ST-JL05-20S-C1-100](#)