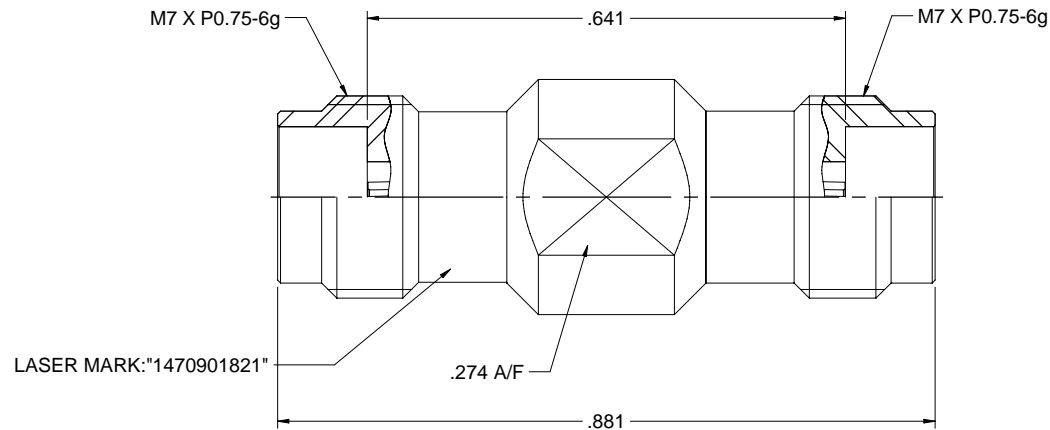


|              |                 |
|--------------|-----------------|
| MODEL NO.    | PACKAGING       |
| 147-0901-821 | ONE PCS PER BAG |

|     |            |            |
|-----|------------|------------|
| REV | ECO        | DATE       |
| 001 | ECO-17-002 | 11/28/2017 |



NOTES: UNLESS OTHERWISE SPECIFIED

1. MATERIAL & FINISH:

- 1.1 BODY: PASSIVATED STAINLESS STEEL
- 1.2 CONTACT PIN : GOLD PLATED BERYLLIUM COPPER
- 1.3 INSULATOR: ULTEM 1000 AMBER

2. ELECTRICAL:

- 2.1 IMPEDANCE: 50 OHMS
- 2.2 FREQUENCY RANGE: 0-50 GHz
- 2.3 VOLTAGE STANDING WAVE RATIO: 1.2 MAX
- 2.4 CONTACT RESISTANCE:
  - 2.4.1 CENER CONTACT: 4 MILLIOHM MAX
  - 2.4.2 OUTER CONTACT: 2.5 MILLIOHM MAX
- 2.5 INSULATOR RESISTANCE: 5000 MEGOHM MIN
- 2.6 INSERTION LOSS: 0.05 X/F(GHZ) DB MAX
- 2.7 DIELECTRIC WITHSTANDING VOLTAGE: 500 VRMS MIN

3. MECHANICAL:

- 3.1 ENGAGEMENT/ DISENGAGEMENT FORCE: 0.23 NM MAX
- 3.2 CONTACT RETENTION: 20 N MIN
- 3.3 DURABILITY (MATING): 500 CYCLES MIN

4. ENVIRONMENT:

- 4.1 THERMAL SHOCK: MIL-STD-202, METHOD 107, CONDITION B.
- 4.2 OPERATING TEMPERATURE: -55 TO 125°C
- 4.3 SALT SPRAY: MIL-STD-202, METHOD 101, CONDITION B
- 4.4 SHOCK: MIL-STD-202, METHOD 213, CONDITION I
- 4.5 VIBRATION: MIL-STD-202, METHOD 204, CONDITION D
- 4.6 MOISTURE RESISTANCE: MIL-STD-202, METHOD 106

|   |   |  |                          |
|---|---|--|--------------------------|
|   | Model No. 147-0901-821                                | <b>Johnson</b>   |                          |
|   | RoHS2<br>2011/65/EU<br><small>REACH COMPLIANT</small> | <small>Size: 2.4mm</small><br>Title: ADAPTER ASSEMBLY, JACK TO JACK, 2.4mm | Drawing No. 147-0901-821 |
| <small>DESIGNED BY: Betty Yu</small><br><small>DATE: 10/19/2017</small> | <small>DO NOT SCALE DRAWINGS</small>                  | <small>OTHER: NONE</small>   | Sheet 1 of 1             |

# Mouser Electronics

Authorized Distributor

Click to View Pricing, Inventory, Delivery & Lifecycle Information:

[Cinch Connectivity Solutions:](#)

[147-0901-821](#)