

# Mains Powered AIDALARM A600L Installation Instructions

The **AIDALARM** is designed as a disabled person alarm system primarily for use in WCs etc..It is designed to comply with BS8300 and the requirements of the Disability Discrimination Act.

The **AIDALARM A600L** controller should be sited where staff are located who can respond to an emergency call. It is usually powered by 230vac. Standby batteries are included and there is an integral battery fault monitor. Alternatively it can be powered by 12vdc, in this case the standby batteries should not be fitted, the battery fault monitor disabled (see later) and a 12vdc PSU with standby battery used instead. The system voltage is 12vdc thus the ancillary items in toilets or other wet areas are at a safe working voltage avoiding any conflict with Part P building regulations.

## Wiring details

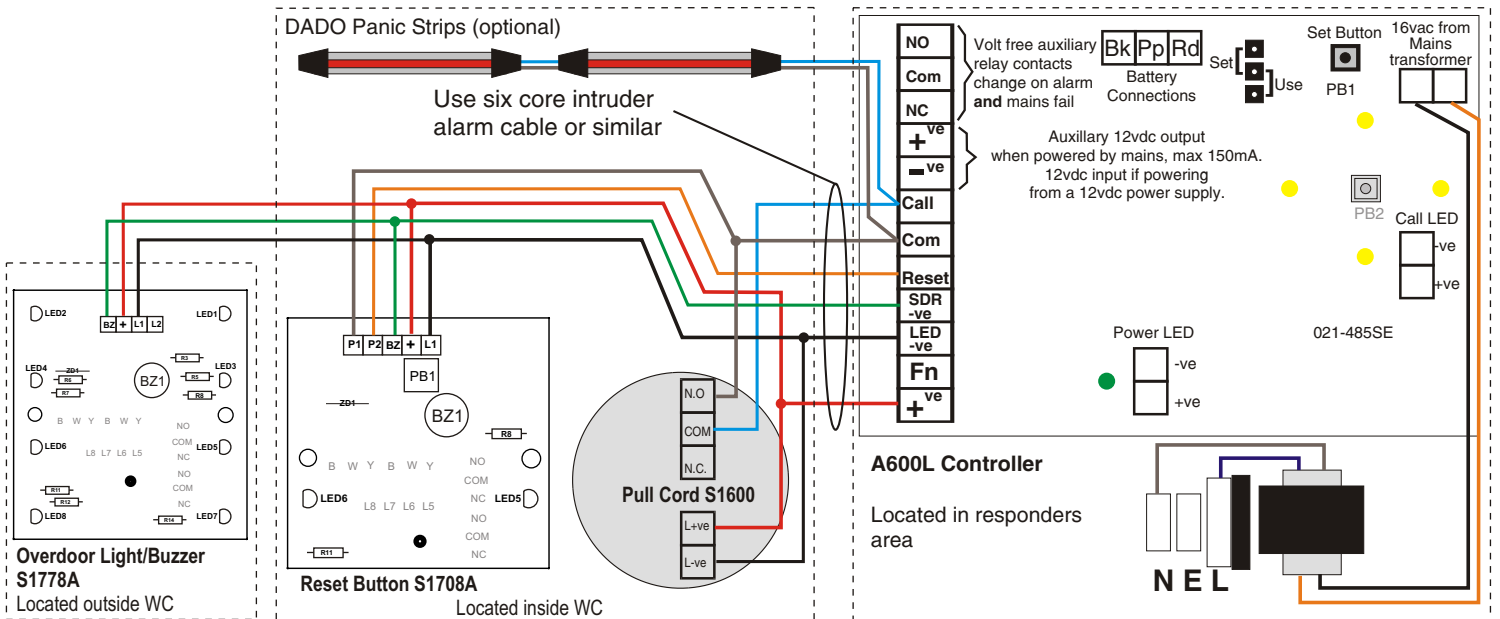
Standard 6 core intruder alarm cable or similar is ideal to connect the **AIDALARM** controller to the ancillary items. The mains supply, when used, should be 1mm<sup>2</sup> twin and earth from a suitable 3A fused spur.

The **Pull Cord S1600** should be appropriately sited for your application in the WC or where assistance is required. Additional pull cords if required are available separately. The lower bangle on the cord should be set at 100mm above floor level. The second bangle should be set between 800 and 1000mm above floor level.

The **Reset Button S1708A** should be sited near the point of call and should be mounted with the bottom edge between 800 and 1000mm above floor level and a minimum of 350mm from any corner.

The **Overdoor Light/Sounder S1778A** is usually sited outside and above the WC door.

**DADO Panic Strip (Optional)** is a normally open device, the contacts close when the switch is pressed. Site 150mm from floor level in WCs.



## Operation

Using the factory default settings, when a call is generated by pulling the cord or by activating any optional call accessory such as panic strip, audible and visual warning is given at both the WC area and at the AIDALARM control panel. The call can be silenced at the control panel by pressing the control panel button which is located at the centre of the LED diamond. This will cause the panel to beep every 40 seconds as a warning of non attendance by the responders. The audible indicators at the WC will beep every five seconds to re-assure the caller. Should the cord be pulled again while in the Silence state, the system will call again. The system is reset at (or near) the point of call using the Reset button S1708A.

Reset buttons and Overdoor units are fitted with LEDs and buzzers. Pull Cords are fitted with an LED. Additional units can be fitted if required. Silence buttons S1703PR can also be fitted to give a more flexible operation. Consult our technical dept.

## Battery Test

It is possible to test the standby batteries by pressing and holding the control panel button at the centre of the LED diamond. One LED illuminated indicates the batteries are very low, three LEDs indicate that the batteries are partly discharged and four LEDs indicate that the batteries are healthy.

## Technical Features

### Battery Monitoring

The AIDALARM control panel when powered by mains should be fitted with 6 xAA alkaline batteries to provide backup in the event of a mains failure. The control panel monitors the health of these batteries. When the batteries reach the end of their life, the control panel will beep and momentarily flash the green power LED every 3 minutes. This prompts the system operator to have the batteries replaced. Good quality alkaline batteries should be used. It is recommended that these batteries are replaced every 12 months during a regular maintenance inspection. The battery monitoring function should be disabled when powering the system from a 12vdc power supply (See programming section). It can also be disabled if you do not wish to install batteries in the system when powering from the mains, however this is not recommended.

### Mains Failure

Should the mains supply to the control panel fail for any reason, as long as backup batteries are fitted the system will indicate the mains failure by beeping every 90 seconds. The green power LED will also extinguish and flash momentarily every 90 seconds. In addition the alarm relay will also change state.

### Alarm Relay

A single pole change over volt free relay is provided in the control panel. This relay is energised while the system is in its idle state, when a call is made the relay de-energises, the relay energises again once the call has been reset. The relay also de-energises if the mains fails. Should a call be raised during a mains failure, the relay will not change state.



**Hoyles Electronic Developments Ltd**

T. 01744 886600 F. 01744 886607 E. sales@hoyles.com W. www.hoyles.com

60129 Iss 1 June 2011



## Programming

All settings made in programming mode will be maintained in memory even if power and batteries are removed. The following features of the system can be programmed.

### a. Control panel button function and Battery Fault Monitor

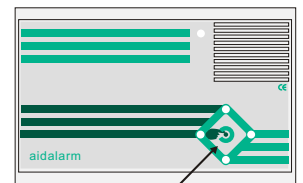
The control panel button is located at the centre of the LED diamond. There are three possible options for this button. It can be used as either a SILENCE button, a RESET button or be completely disabled. There are also two possibilities for the Battery Fault Monitor (BFM) on or off, ie six combinations altogether.

The default setting is probably adequate for most applications but if it needs to be changed proceed as follows: Move the jumper on the PCB to the Set position. The LEDs will flash indicating the current setting (Silence & BFM for factory default ie Set 1 in the table opposite.) Scroll through the possibilities by pressing the small Set Button on the reverse of the PCB. When finished either continue to set the tone as in (b) below, or move the Set mode jumper back to the Use mode.

Please note, if the control panel is powered from a remote 12vdc power supply then the BFM should be set to OFF ie Set 2, 4 or 6

### b. Control panel alarm tone

Whilst in Set mode (jumper on the PCB in the Set position), press the control panel button in the centre of the LED diamond to move into tone setting mode, the LED will indicate steady. Repeatedly press the control panel button to scroll through the four different tones. Pause for 2 seconds after each press and the selected tone will play for 2 seconds. The last tone played is the tone that will be stored in memory. When finished, move the Set mode jumper back to the Use mode.



Control Panel Button

Set	LED Display	Battery Monitor	Function Button
1	◊	ON	SILENCE
2	◊	OFF	SILENCE
3	◊	ON	RESET
4	◊	OFF	RESET
5	◊	ON	DISABLE
6	◊	OFF	DISABLE

1 is the factory default setting

AIDALARMS and accessories are supplied as individual items or in kit form. Kit part numbers are:

**A600LKITM** (A600L AIDALARM controller, S1600 pull cord, S1708A reset button and S1778A overdoor light/buzzer)

**A600LKITMD** (A600L AIDALARM controller, S1600 pull cord, S1708A reset button, S1778A overdoor light/buzzer and RPD01000 1m length of DADO Panic strip)

**A600LKITB** (A600B (Battery powered) AIDALARM controller, S1600 pull cord, S1708A reset button and S1778A overdoor light/buzzer)

## Also available from Hoyles...

### Battery Powered Toilet Alarm Kit - A600LKITB



Powered by 6 x AA alkaline batteries  
No mains wiring  
BS8300 and DDA compliant

### 6 Zone Toilet Alarm System - AA31110D



6 zone control panel providing central indication of calls.

Expandable

Repeater panels available

Requires 1 x pull cord (S1600), 1 x over door light / sounder S1778A and 1 x reset button S1708A per zone (Available separately).

BS8300 and DDA compliant



S1600



S1778A



S1778A



**Hoyles Electronic Developments Ltd**

T. 01744 886600 F. 01744 886607 E. sales@hoyles.com W. www.hoyles.com

60129 Iss 1 June 2011

