

Customer Information Sheet

DRAWING No.: M20-781XX45X

SHEET 3 OF 4

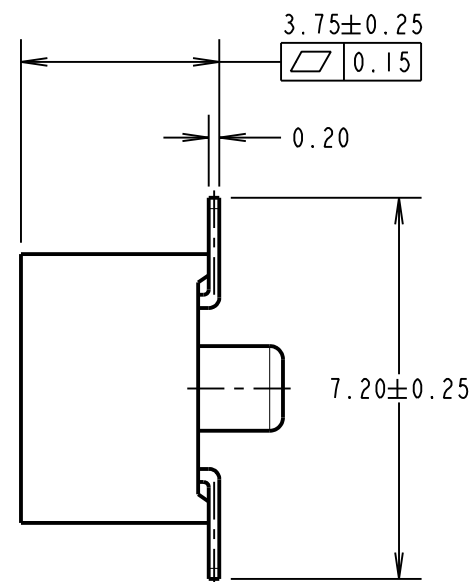
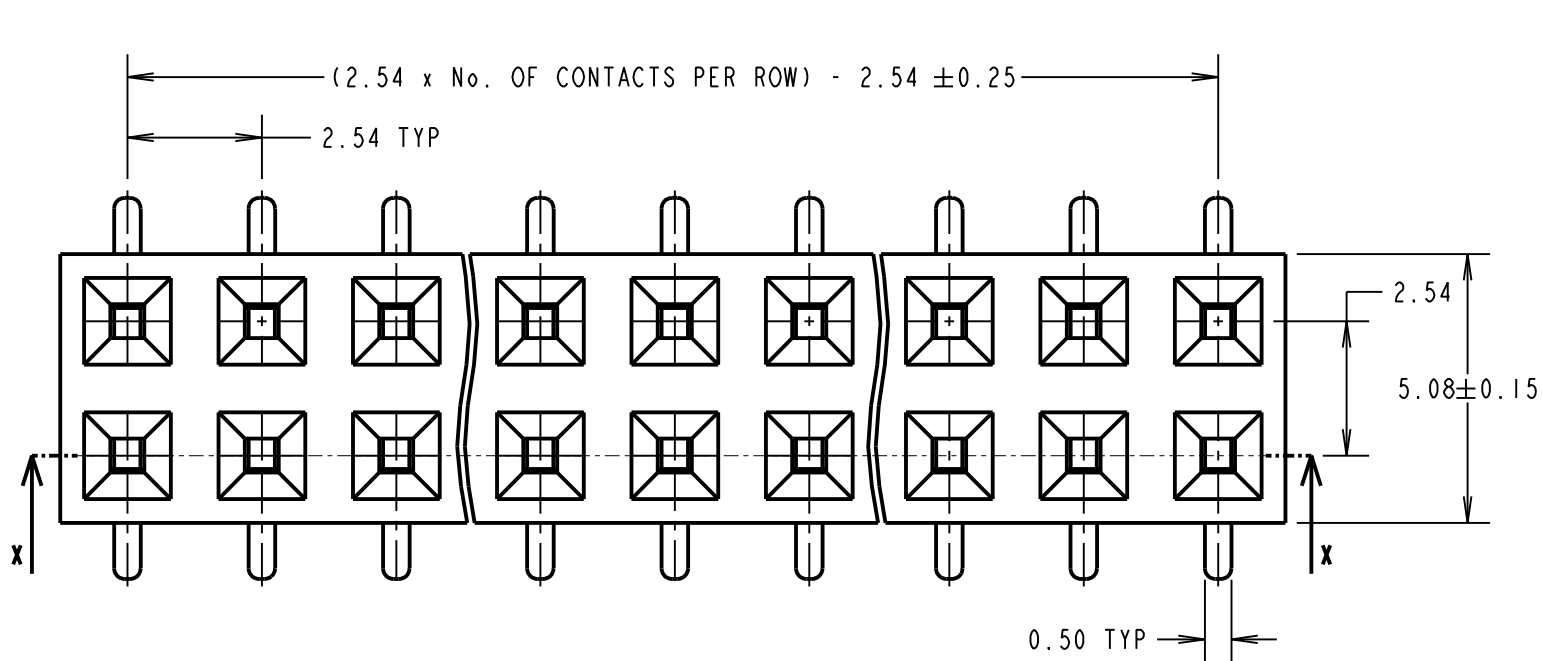
IF IN DOUBT - ASK

©

NOT TO SCALE

THIRD ANGLE PROJECTION

ALL DIMENSIONS IN mm



SPECIFICATIONS:

MATERIAL:
 MOULD = GLASS FILLED PA9T, UL94V-0
 CONTACTS = PHOSPHOR BRONZE

FINISH:
 0.015µ MIN GOLD OVER 0.76-2.03µ NICKEL

ELECTRICAL:
 CURRENT RATING = 3A
 CONTACT RESISTANCE = 20mΩ MAX
 INSULATION RESISTANCE = 1000MΩ MIN
 VOLTAGE PROOF = 1000V AC FOR ONE MINUTE

MECHANICAL:
 INSERTION FORCE = 1.96N MAX PER CONTACT
 WITHDRAWAL FORCE = 0.29N MIN PER CONTACT
 DURABILITY = 300 CYCLES MIN

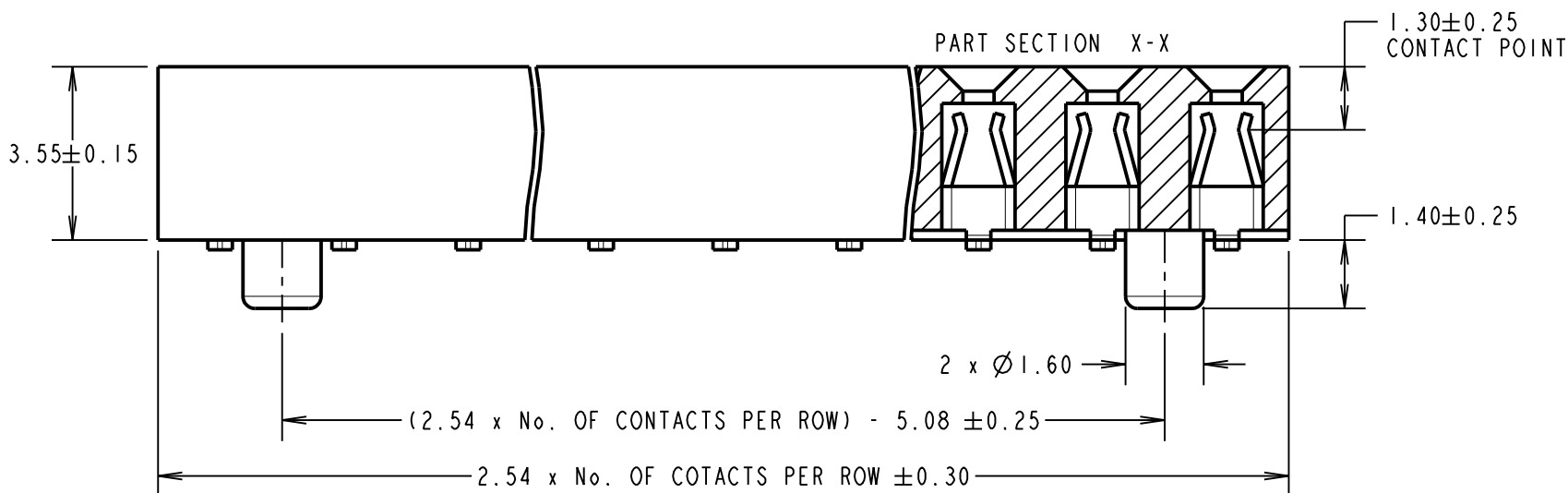
ENVIRONMENTAL:
 OPERATING TEMPERATURE = -40°C TO +105°C

ORDER CODE:

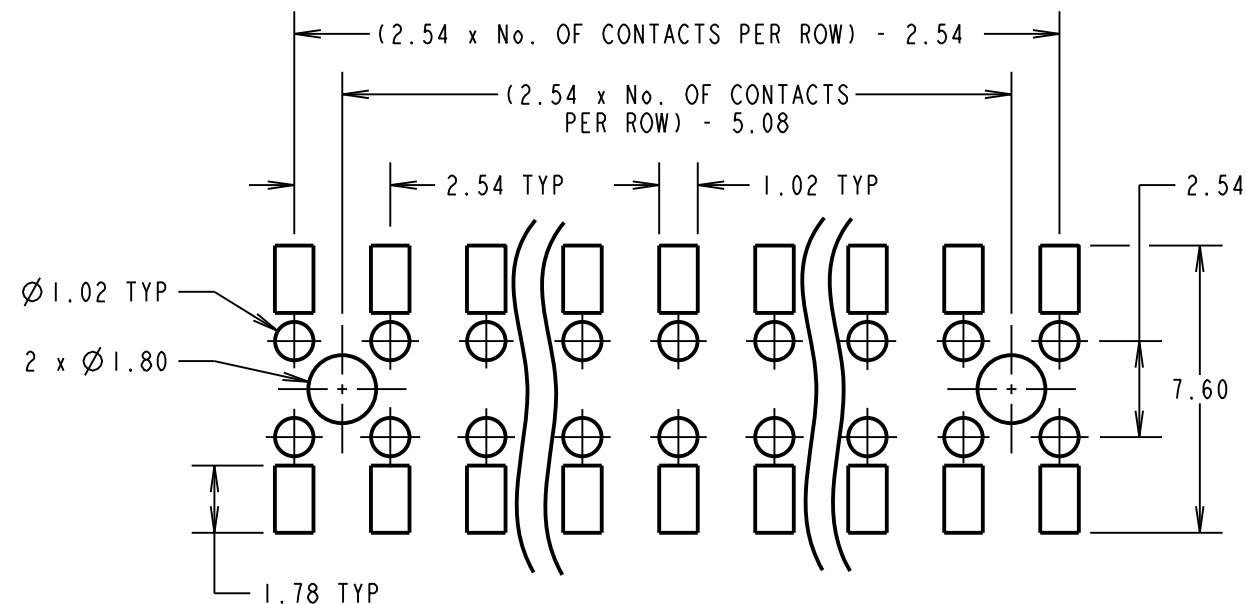
M20-781XX45X

No. OF CONTACTS PER ROW: _____
 02-10, 12, 15 & 20

PACKING: _____
 BLANK = TUBE
 R = TAPE AND REEL (SHEET 4)

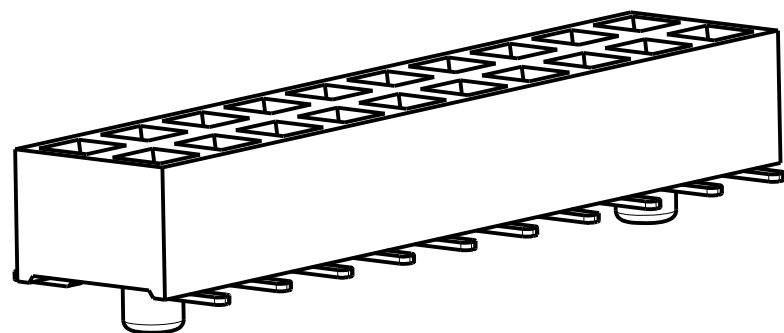


RECOMMENDED PCB LAYOUT
 (TOLERANCE = ±0.05)



NOTES:

- CONTACT LEG VARIATION ON COMPLETE ASSEMBLY NOT TO EXCEED 0.10mm.
- FOR TAPE AND REEL DETAILS, SEE SHEET 4.



| | | | |
|--------------------|------|----------|--------|
| MSP | 1 | 06.05.16 | ----- |
| NAME | ISS. | DATE | C/NOTE |
| APPROVED: M.PERREN | | | |
| CHECKED: S.BENNETT | | | |
| DRAWN: M.PERREN | | | |
| CUSTOMER REF.: | | | |
| ASSEMBLY DRG: | | | |

HARWIN

www.harwin.com
 technical@harwin.com

THIS DRAWING AND ANY INFORMATION OR DESCRIPTIVE MATTER SET OUT HEREON ARE CONFIDENTIAL AND COPYRIGHT PROPERTY OF THE HARWIN GROUP AND MUST NOT BE DISCLOSED, LOANED, COPIED OR USED FOR MANUFACTURING, TENDERING OR FOR ANY OTHER PURPOSE WITHOUT THEIR WRITTEN PERMISSION.

TOLERANCES
 X. = ±1mm
 X.X = ±0.50mm
 X.XX = ±0.10mm
 X.XXX = ±0.01mm
 ANGLES = ±5°
 UNLESS STATED

MATERIAL:
 SEE ABOVE

FINISH: SEE ABOVE

S/AREA: mm²

TITLE:
 2.54mm PITCH DIL LOW PROFILE SMT SOCKET WITH PEGS

DRAWING NUMBER:
M20-781XX45X

SHT
 3 OF 4

Customer Information Sheet

DRAWING No.: M20-781XX45X

SHEET 4 OF 4

IF IN DOUBT - ASK

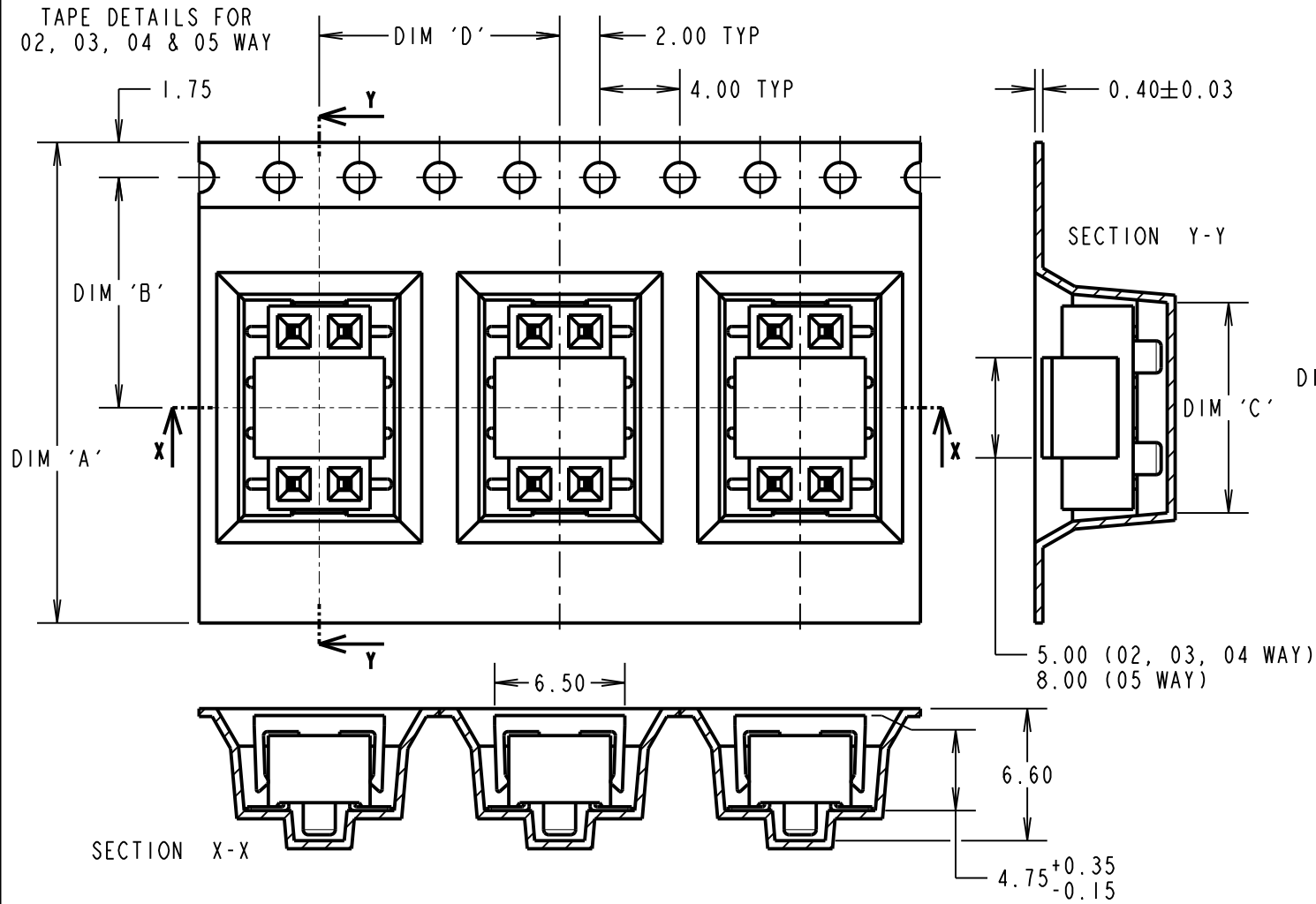
Ⓒ

NOT TO SCALE

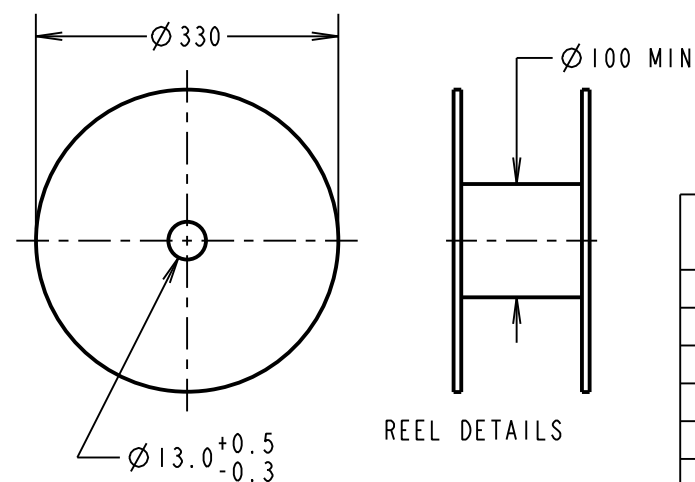
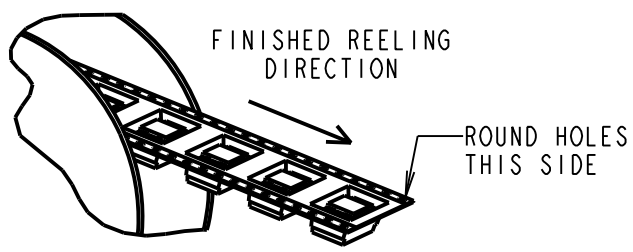
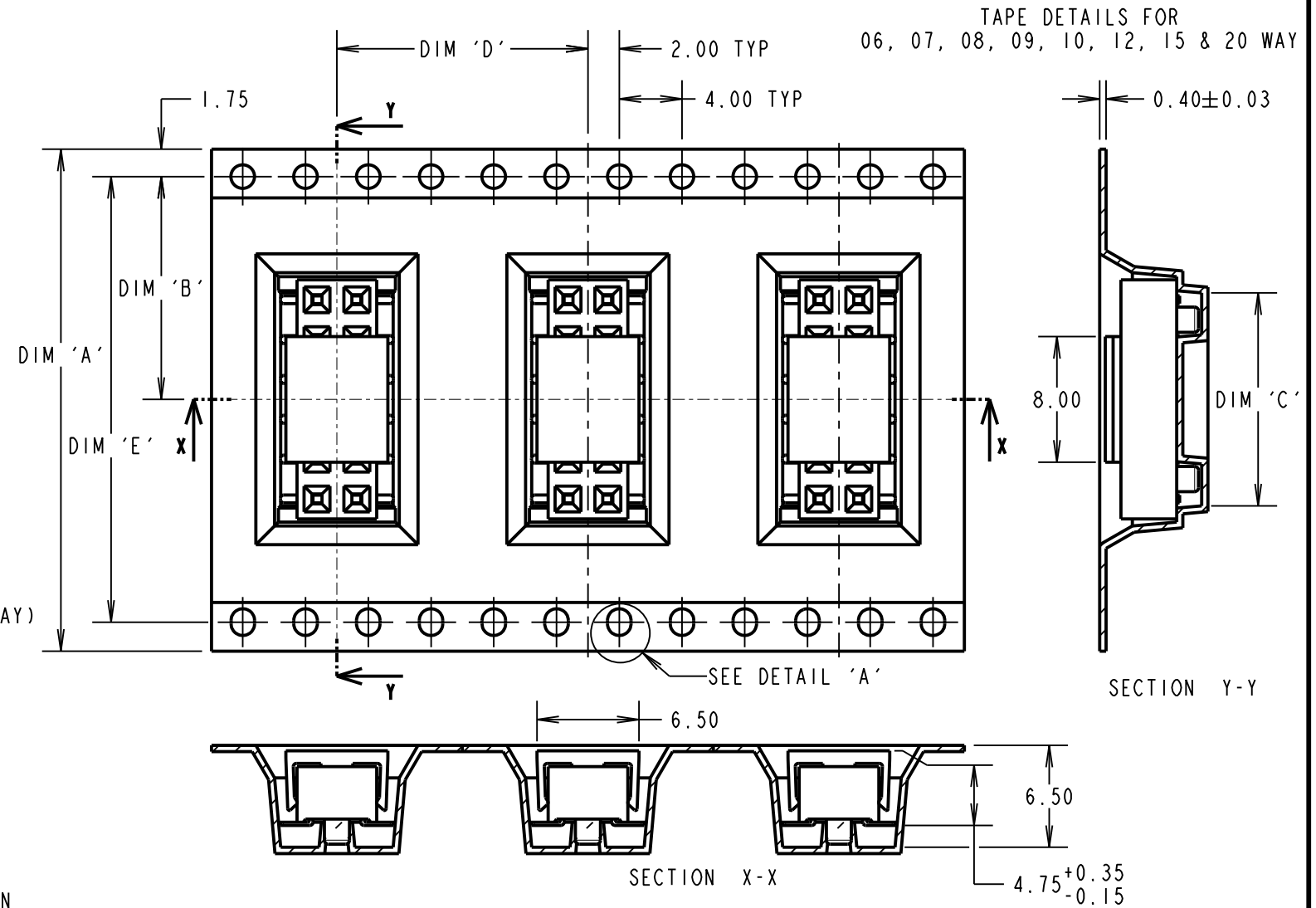
THIRD ANGLE PROJECTION

ALL DIMENSIONS IN mm

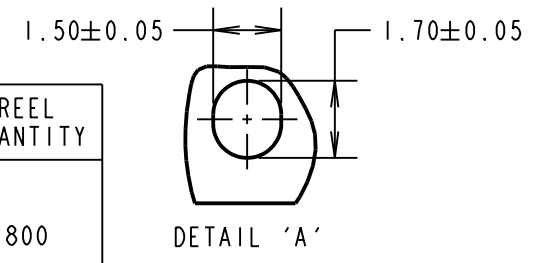
TAPE DETAILS FOR
02, 03, 04 & 05 WAY



TAPE DETAILS FOR
06, 07, 08, 09, 10, 12, 15 & 20 WAY



REEL DETAILS



DETAIL 'A'

ORDER CODE:
M20-781XX45X

No. OF CONTACTS PER ROW: _____
02-10, 12, 15 & 20

PACKING: _____
BLANK = TUBE (SHEET 3)
R = TAPE AND REEL

| PART No. | DIMENSION | | | | | REEL QUANTITY |
|--------------|------------|------------|---------|---------|---------|---------------|
| | DIM 'A' | DIM 'B' | DIM 'C' | DIM 'D' | DIM 'E' | |
| M20-7810245R | 16.00±0.30 | 7.50±0.15 | 5.40 | 12.00 | N/A | 800 |
| M20-7810345R | | | 8.00 | | | |
| M20-7810445R | 24.00±0.30 | 11.50 | 10.50 | 16.00 | 28.50 | 600 |
| M20-7810545R | | | 13.00 | | | |
| M20-7810645R | 32.00±0.30 | 14.20±0.15 | 15.65 | | | |
| M20-7810745R | | | 18.08 | 12.00 | 40.40 | 600 |
| M20-7810845R | 44.00±0.30 | 20.20±0.15 | 23.35 | | | |
| M20-7811045R | | | 25.80 | 16.00 | 52.40 | 600 |
| M20-7811245R | 56.00±0.30 | 26.20±0.15 | 30.90 | | | |
| M20-7811545R | | | 38.50 | 12.00 | 68.40 | 600 |
| M20-7812045R | 72.00±0.30 | 34.20±0.15 | 51.20 | | | |

- NOTES:
- PRODUCT IS TAPE AND REELED IN GENERAL ACCORDANCE WITH EIA-481 (ELECTRICAL INDUSTRIES ASSOCIATION).
 - CONTACT LEG VARIATION ON COMPLETE ASSEMBLY NOT TO EXCEED 0.10mm.
 - FOR CONNECTOR DETAILS AND SPECIFICATIONS, SEE SHEET 3.

HARWIN

www.harwin.com
technical@harwin.com

THIS DRAWING AND ANY INFORMATION OR DESCRIPTIVE MATTER SET OUT HEREON ARE CONFIDENTIAL AND COPYRIGHT PROPERTY OF THE HARWIN GROUP AND MUST NOT BE DISCLOSED, LOANED, COPIED OR USED FOR MANUFACTURING, TENDERING OR FOR ANY OTHER PURPOSE WITHOUT THEIR WRITTEN PERMISSION.

TOLERANCES
X. = ±1mm
X.X = ±0.50mm
X.XX = ±0.10mm
X.XXX = ±0.01mm
ANGLES = ±5°
UNLESS STATED

MATERIAL: SEE ABOVE
FINISH: SEE ABOVE
S/AREA: mm²

TITLE:
2.54mm PITCH DIL LOW PROFILE SMT SOCKET WITH PEGS

DRAWING NUMBER:
M20-781XX45X

SHT 4 OF 4

| | | | |
|----------------|------|-----------|--------|
| MSP | 1 | 06.05.16 | ----- |
| NAME | ISS. | DATE | C/NOTE |
| APPROVED: | | M.PERREN | |
| CHECKED: | | S.BENNETT | |
| DRAWN: | | M.PERREN | |
| CUSTOMER REF.: | | | |
| ASSEMBLY DRG: | | | |

Mouser Electronics

Authorized Distributor

Click to View Pricing, Inventory, Delivery & Lifecycle Information:

Harwin:

[M20-7810245](#) [M20-7810245R](#) [M20-7810345](#) [M20-7810345R](#) [M20-7810445](#) [M20-7810445R](#) [M20-7811245](#) [M20-7811245R](#) [M20-7811545](#) [M20-7811545R](#) [M20-7812045](#) [M20-7812045R](#) [M20-7810845](#) [M20-7810845R](#) [M20-7810945](#) [M20-7810945R](#) [M20-7811045](#) [M20-7811045R](#) [M20-7810545](#) [M20-7810545R](#) [M20-7810645](#) [M20-7810645R](#) [M20-7810745](#) [M20-7810745R](#)