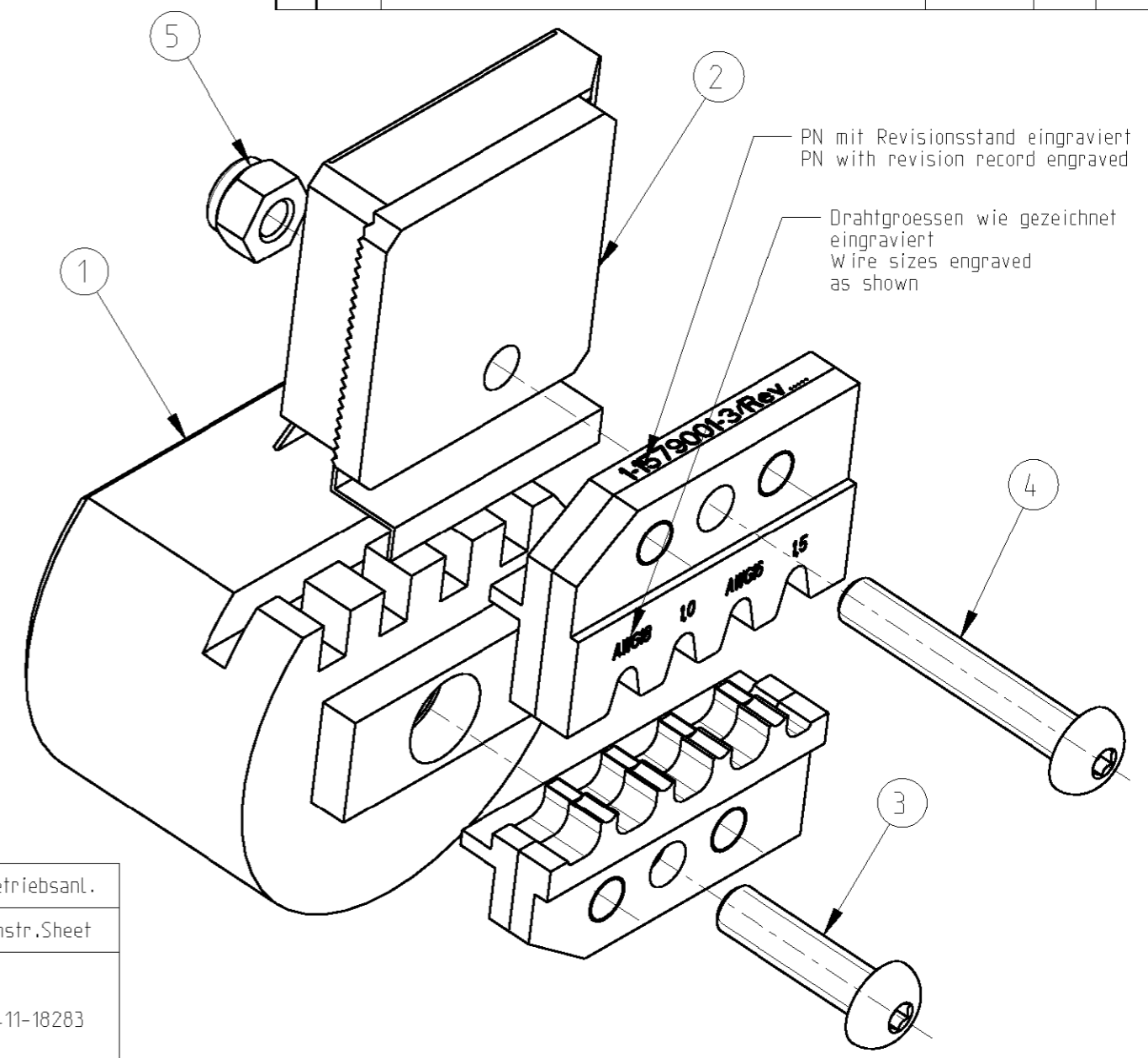


THIS DRAWING IS UNPUBLISHED. RELEASED FOR PUBLICATION 2005
 © COPYRIGHT 2005 BY TYCO ELECTRONICS CORPORATION. ALL RIGHTS RESERVED.

LOC	DIST	REVISIONS				
P	LTR	DESCRIPTION	DATE	DWN	APVD	
A1	-	B	ECR-05-11332	07SEP2005	-	-

Matrize in Kombination mit Ergocrimp Basishandzange PN 539635-1 verwenden
 Use die in combination with Ergocrimp basis hand tool PN 539635-1

Matrize im Karton mit Bedienungsanleitung 411-18283 verpackt
 Die packed in a cardboard with instruction sheet 411-18283



1-1579001-3	1	5-0744010-0	Instruction Sheet	Bedienungsanleitung	6
	1	0-0519024-2	Nut M4 DIN 985	Mutter M4 DIN 985	5
	1	1-0519151-3	Screw M4x25	Schraube M4x25	4
	1	1-0519151-1	Screw M4x16	Schraube M4x16	3
	1	8-1579020-8	Locator Assembly	Drahtanschlag	2
	1	8-1579005-5	Contact Locator	Kontaktpositionierer	1
	QTY Stck	PN	Description	Benennung	Pos.

Kontakt	AWG (mm ²)	Drahtcrimp / Wire Crimp		Isolationscrimp/Insulationcrimp		Isol.Ø	Betriebsanl.
Contact	Wire Range	Hoehe/Height mm	Breite/Width mm	Hoehe/Height mm	Breite/Width mm	Ins.Range	Instr.Sheet
1452504	AWG 18	1.11 ±0.05	1.78 F	2.45 max.	2.3 D 2.45 max.	1.90-2.25	411-18283
	1.0	1.18 ±0.05		2.45 max.			
	AWG16	1.31 ±0.05		2.45 max.		2.15-2.40	
	1.5	1.36 ±0.05		2.45 max.			

<small>THIS DRAWING IS A CONTROLLED DOCUMENT FOR TYCO ELECTRONICS CORPORATION IT IS SUBJECT TO CHANGE AND THE CONTROLLING ENGINEERING ORGANIZATION SHOULD BE CONTACTED FOR THE LATEST REVISION.</small>		DWN Ch.Witt	07SEP2005	tyco Electronics		tyco Electronics AMP GmbH D - 64625 Bensheim			
DIMENSIONS: mm 		TOLERANCES UNLESS OTHERWISE SPECIFIED: 0 PLC ± 1 PLC ± 2 PLC ± 3 PLC ± 4 PLC ± ANGLES ±°		CHK -	APVD -	NAME ERGOCRIMP DIE SET MCP 1.2 CLEAN BODY Ergocrimp Matrize MCP 1.2 Clean Body			
MATERIAL -		FINISH -		PRODUCT SPEC -	APPLICATION SPEC -	SIZE A3	CAGE CODE 00779	DRAWING NO C=1-1579001-3	RESTRICTED TO -
CUSTOMER DRAWING				WEIGHT -	SCALE 2:1	SHEET 1 OF 1	REV B		

Mouser Electronics

Authorized Distributor

Click to View Pricing, Inventory, Delivery & Lifecycle Information:

[TE Connectivity:](#)

[1-1579001-3](#)