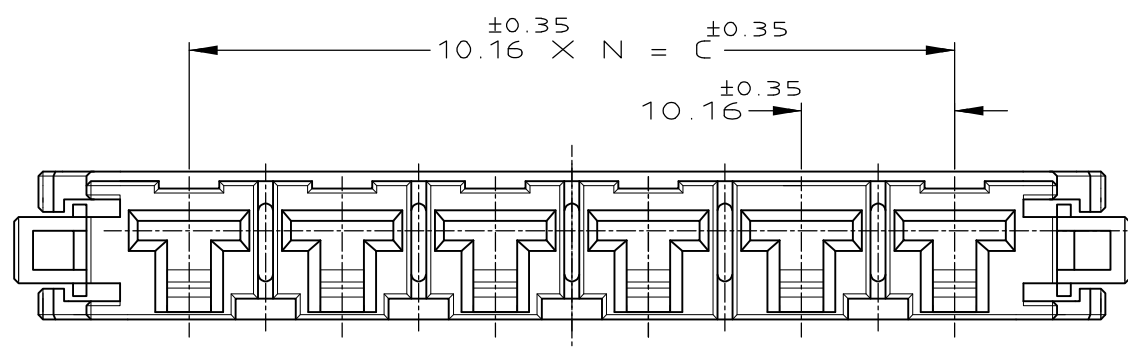
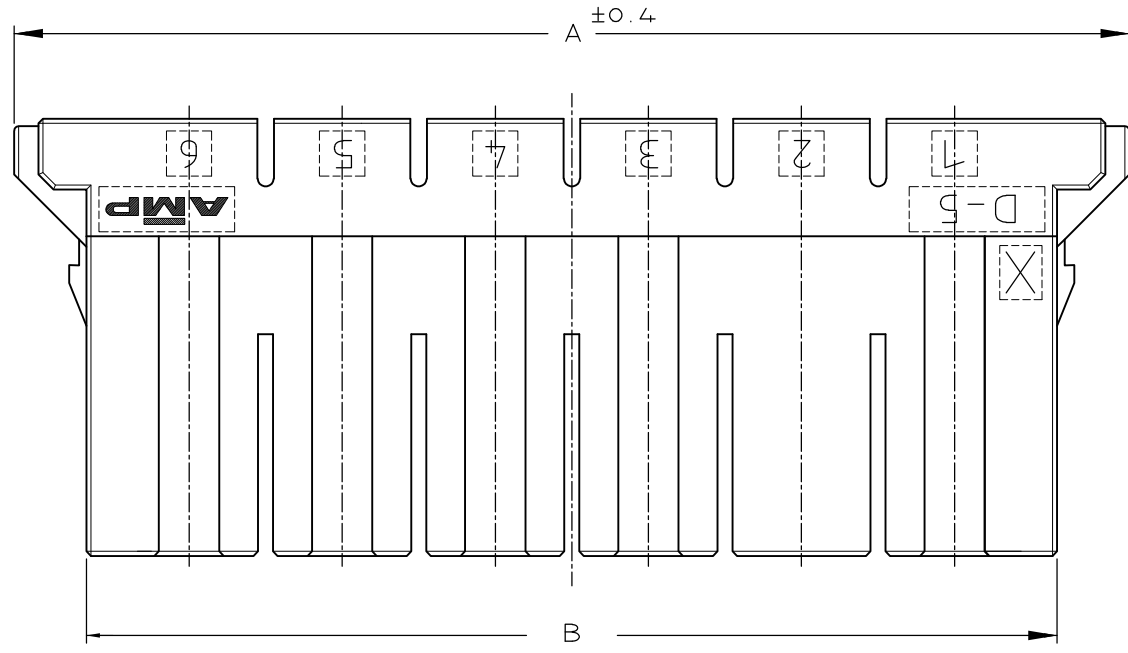
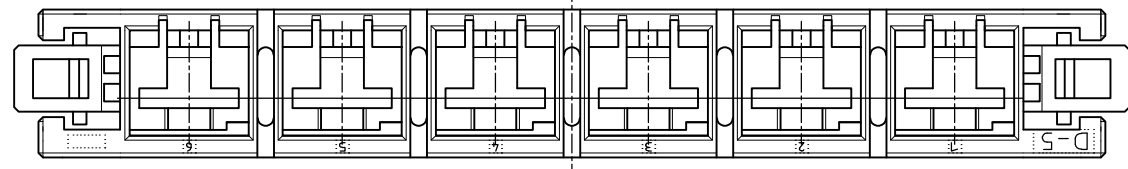
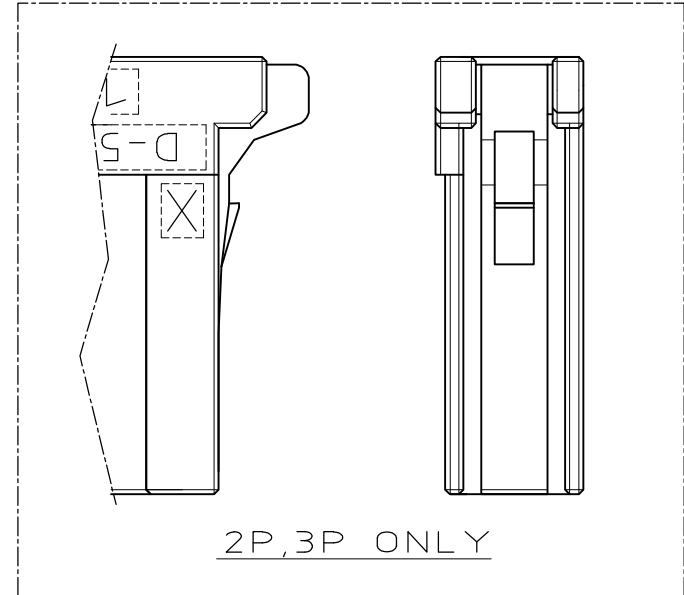
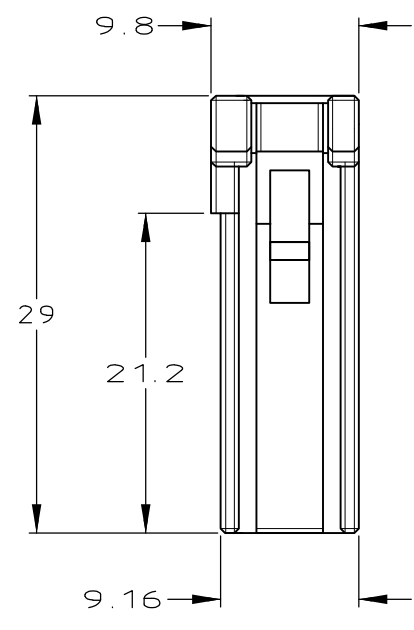
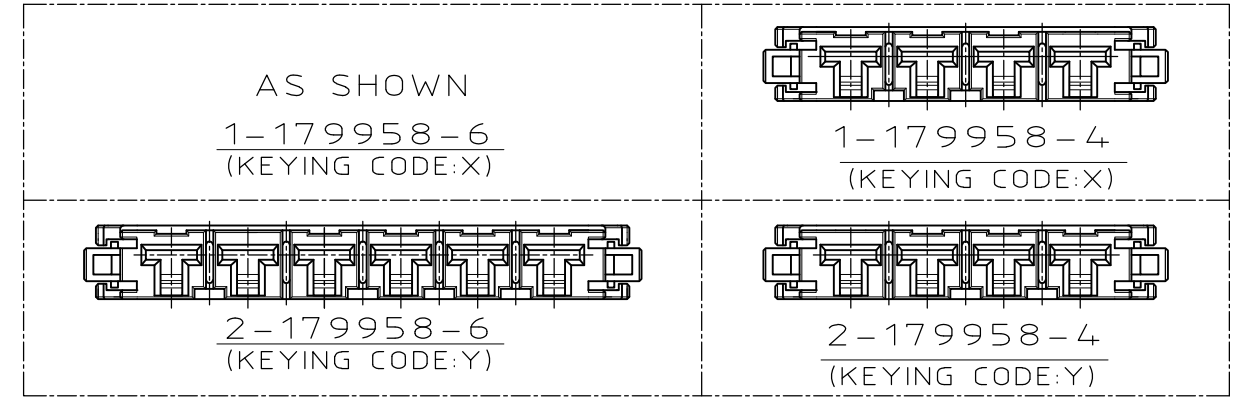


THIS DRAWING IS UNPUBLISHED. RELEASED FOR PUBLICATION
 © COPYRIGHT - By Tyco Electronics Japan G.K. ALL RIGHTS RESERVED.

P		LTR		DESCRIPTION	DATE	DWN	APVD
	H			REVISED PER ECR-17-010033	12JUL2017	R.I	E.T



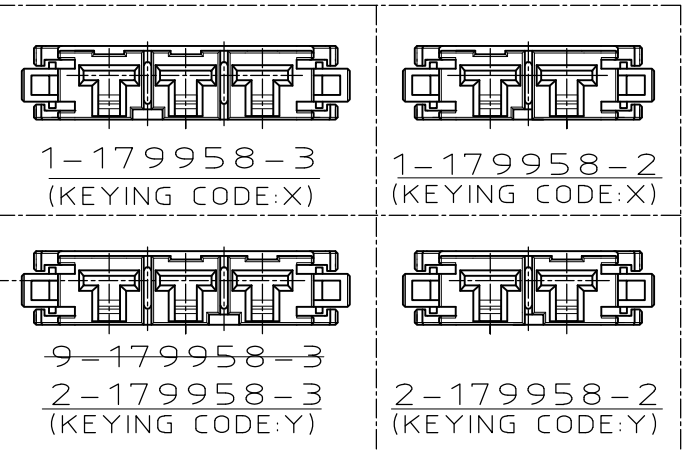
1-179958-6
(KEYING CODE:X)



- 注記
- ① 材料 ハウジングガラス入り熱可塑性ポリエステル樹脂(94V-0),色 黒
 - ② ハウジング全面にテフロン塗装のこと
 - ③ 製品規格 : 108-5453

- NOTES
- ① MATERIAL:HOUSING:GLASS FILED THERMO PLASTIC, POLYESTER(94V-0),COLOR:BLACK
 - ② TO COAT ALL SURFACE OF HOUSING WITH TEFLON
 - ③ PRODUCT SPEC :108-5453

FINISH	C	B	A	N	POS	COLOR	P/N
	50.8	64.4	74	5	6	BLACK	2-179958-6
OBSOLETE						BLACK	1-179958-6
							5-179958-4
						BLACK	2-179958-4
OBSOLETE	30.48	44.08	53.68	3	4	BLACK	1-179958-4
OBSOLETE							5-179958-3
						NATURAL	9-179958-3
						BLACK	2-179958-3
	20.32	33.92	45.92	2	3	BLACK	1-179958-3
						BLACK	2-179958-2
	10.16	23.76	35.76	1	2	BLACK	1-179958-2



THIS DRAWING IS A CONTROLLED DOCUMENT.

DIMENSIONS: mm

TOLERANCES UNLESS OTHERWISE SPECIFIED:

0 PLC	± 10	±0.2
1 PLC	± 30	±0.25
2 PLC	± 100	±0.3
3 PLC	±	
4 PLC	±	
ANGLES		± 3'
FINISH		

MATERIAL

DWN Y.ISHIKAWA 22MAR1995
 CHK S.MANABE 23MAR1995
 APVD S.MABABE 23MAR1995

PRODUCT SPEC
 APPLICATION SPEC
 WEIGHT 0

CUSTOMER DRAWING

STE TE Connectivity

SINGLE ROW REC HSG
DYNAMIC D-5200

SIZE A3 CAGE CODE 00779 DRAWING NO C-179958 RESTRICTED TO -

SCALE 2:1 SHEET 1 OF 1 REV H

Mouser Electronics

Authorized Distributor

Click to View Pricing, Inventory, Delivery & Lifecycle Information:

[TE Connectivity:](#)

[1-179958-2](#)