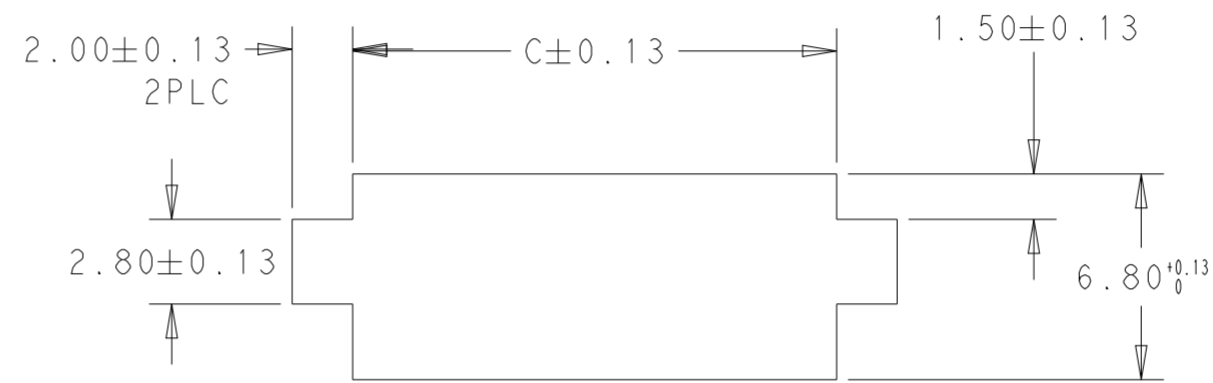
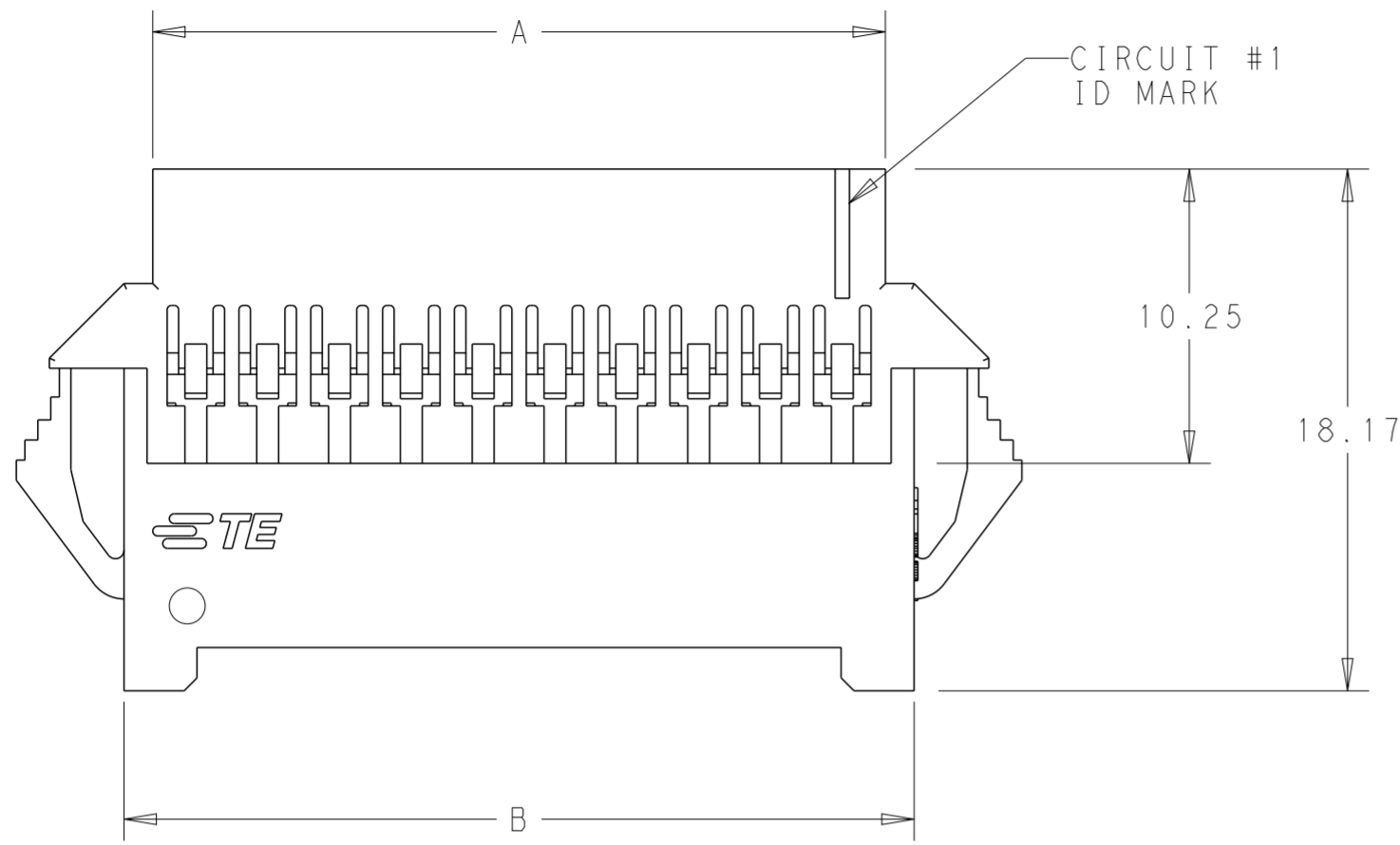
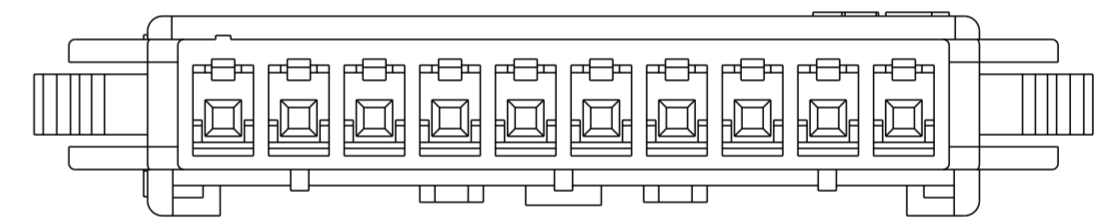
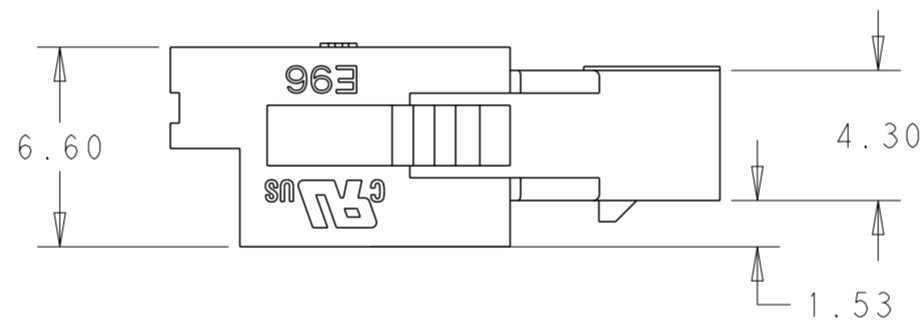
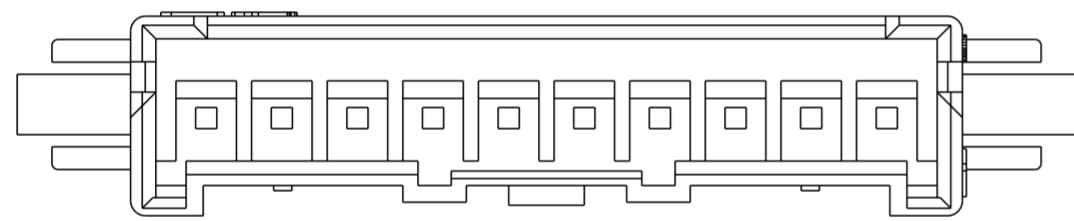


THIS DRAWING IS UNPUBLISHED. RELEASED FOR PUBLICATION 20
 © COPYRIGHT 20 BY - ALL RIGHTS RESERVED.

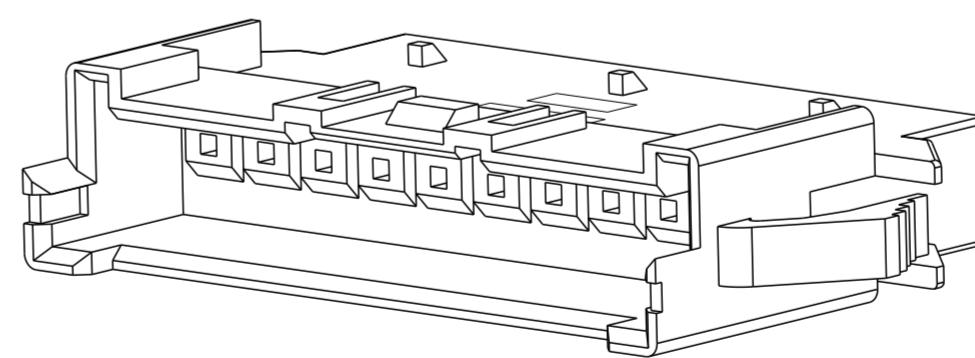
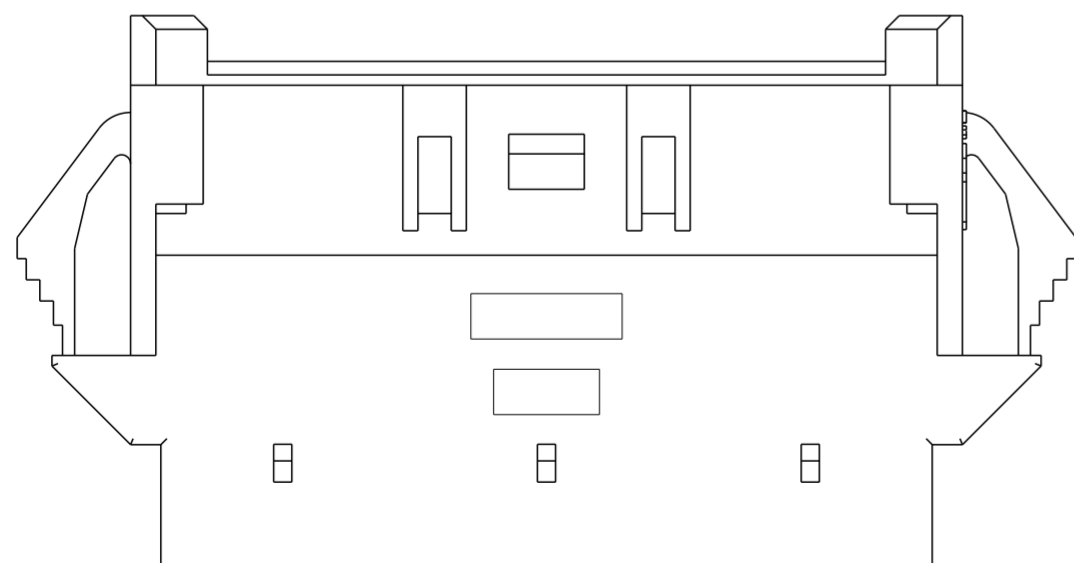
| LOC | | DIST | | REVISIONS | | | |
|-----|-----|---------------------------|--|-----------|-----|------|--|
| P | LTR | DESCRIPTION | | DATE | DWN | APVD | |
| | B1 | REVISED PER ECR-15-008087 | | 03JUN2015 | NK | JR | |



1. MATERIAL: NYLON UL94V-0, FLAME RETARDANT, COLOR: NATURAL
2. PARTS TESTED TO IEC 60695-2-11 AND IS COMPLIANT TO IEC 60335-1.
3. HOUSING, MATERIAL MEETS MINIMUM GLOW WIRE FLAMMIBILITY INDEX OF 850°C PER IEC 60695-2-12 AND MINIMUM GLOW WIRE IGNITION TEMP OF 775°C PER IEC 60695-2-13.
4. ACCEPTS TE PIN CONTACTS P/N'S 2238007-(-)
5. HOUSING ACCEPTS OPTIONAL TPA P/N'S 1969443-(-)
6. MATES WITH TE PLUG HOUSINGS P/N'S 1744417-(-)



6 TO 15 POSITION
 1969591-6 TO 1-1969591-5



| POS | DIM.C | DIM.B | DIM.A | PART NO. |
|-----|-------|-------|-------|-------------|
| 15 | 41.00 | 40.00 | 38.00 | 1-1969591-5 |
| 14 | 38.50 | 37.50 | 35.50 | 1-1969591-4 |
| 13 | 34.00 | 35.00 | 33.00 | 1-1969591-3 |
| 12 | 33.50 | 32.50 | 30.50 | 1-1969591-2 |
| 11 | 31.00 | 30.00 | 28.00 | 1-1969591-1 |
| 10 | 28.50 | 27.50 | 25.50 | 1-1969591-0 |
| 9 | 26.00 | 25.00 | 23.00 | 1969591-9 |
| 8 | 23.50 | 22.50 | 20.50 | 1969591-8 |
| 7 | 21.00 | 20.00 | 18.00 | 1969591-7 |
| 6 | 18.50 | 17.50 | 15.50 | 1969591-6 |
| 5 | 16.00 | 15.00 | 13.00 | 1969591-5 |
| 4 | 13.50 | 12.50 | 10.50 | 1969591-4 |
| 3 | 11.00 | 10.00 | 8.00 | 1969591-3 |
| 2 | 8.50 | 7.50 | 5.50 | 1969591-2 |

| | | | | |
|--|-------|-------------------------------|-----------|--|
| THIS DRAWING IS A CONTROLLED DOCUMENT. | | DWN | 03OCT2012 | |
| DIMENSIONS: | | CHK | - | |
| mm | | APVD | - | |
| TOLERANCES UNLESS OTHERWISE SPECIFIED: | | PRODUCT SPEC | | |
| 0 PLC | ± | 108-2418 | | |
| 1 PLC | ± | APPLICATION SPEC | | |
| 2 PLC | ±0.20 | 114-13315 | | |
| 3 PLC | ± | WEIGHT | | |
| 4 PLC | ± | - | | |
| ANGLES | ± | Customer Drawing | | |
| FINISH | ± | SCALE 4:1 SHEET 1 OF 2 REV B1 | | |
| SEE TABLE | | SEE TABLE | | |

STE TE Connectivity

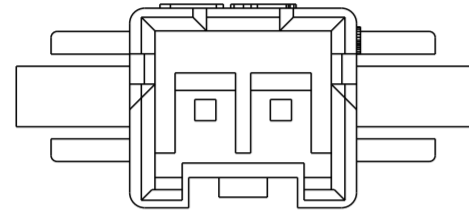
NAME: ECONOMY POWER 2.5, HOUSING WIRE TO WIRE, PANEL MOUNT, GLOW WIRE

SIZE: A2 CAGE CODE: 00779 DRAWING NO: C-1969591

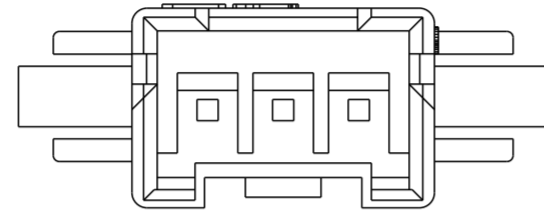
THIS DRAWING IS UNPUBLISHED. RELEASED FOR PUBLICATION 20
 © COPYRIGHT 20 BY - ALL RIGHTS RESERVED.

| LOC | | DIST | | REVISIONS | | | |
|-----|-----|-------------|------|-----------|------|--|--|
| P | LTR | DESCRIPTION | DATE | DWN | APVD | | |
| - | - | SEE SHEET 1 | - | - | - | | |
| | | | | | | | |
| | | | | | | | |

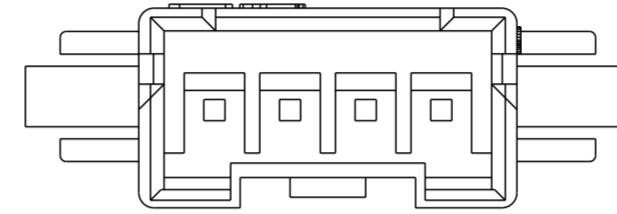
2 POSITION
1969591-2



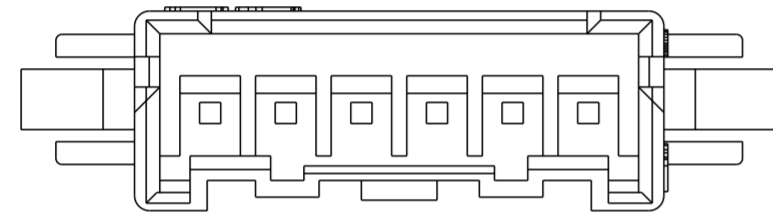
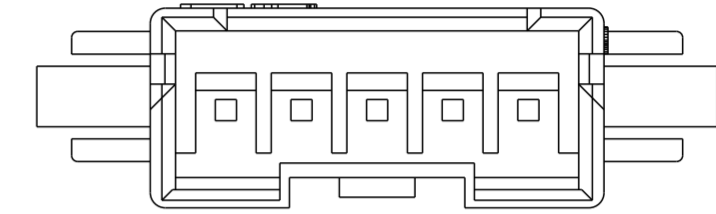
3 POSITION
1969591-3




4 POSITION
1969591-4



5 POSITION
1969591-5



6 - 15 POSITION
1969591-6 TO 1-1969591-5

| | | | | | |
|---|--|-------------------------------|-----------|---|--------------------|
| THIS DRAWING IS A CONTROLLED DOCUMENT. | | DWN A. NOEL | 03OCT2012 |  TE Connectivity | |
| DIMENSIONS: mm | | CHK - | APVD - | | |
| TOLERANCES UNLESS OTHERWISE SPECIFIED: | | PRODUCT SPEC 108-2418 | | RESTRICTED TO - | |
| 0 PLC ± 1 PLC ± 2 PLC ±0.20 3 PLC ± 4 PLC ± ANGLES ± FINISH | | APPLICATION SPEC 114-13315 | | SIZE A2 | CAGE CODE 00779 |
| MATERIAL SEE TABLE | | WEIGHT - | | DRAWING NO C-1969591 | |
| SEE TABLE | | Customer Drawing | | SCALE 4:1 | SHEET 2 OF 2 |
| | | | | REV B1 | |

Mouser Electronics

Authorized Distributor

Click to View Pricing, Inventory, Delivery & Lifecycle Information:

[TE Connectivity:](#)

[1-1969591-3](#)