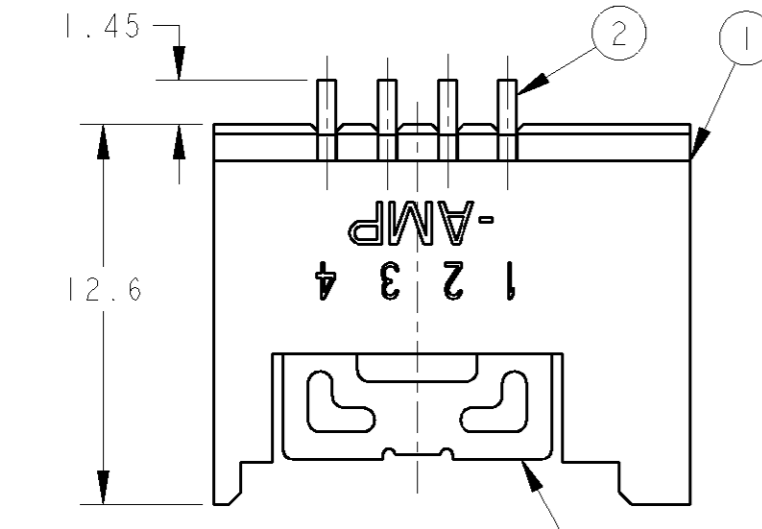
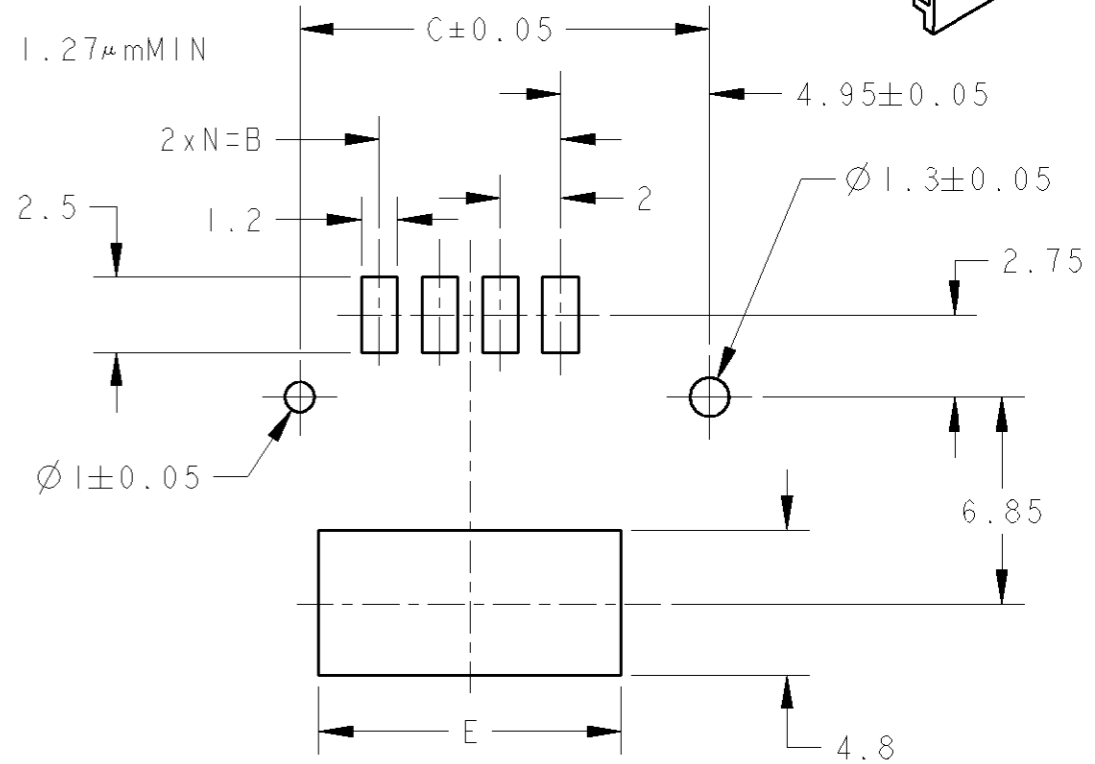
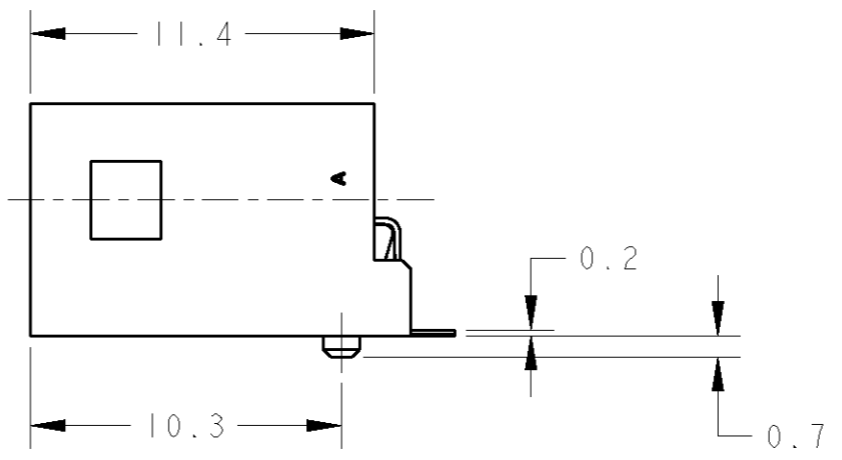
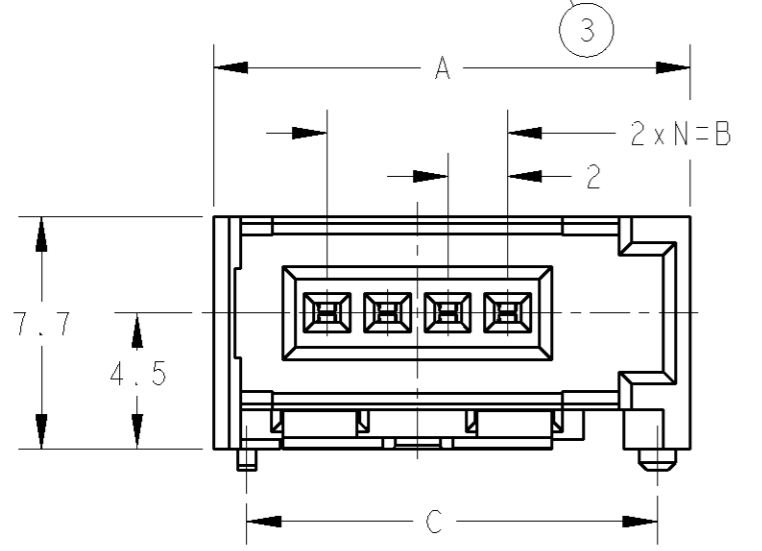
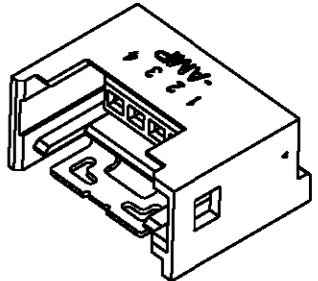


LOC	DIST	REVISIONS					
		P	LTR	DESCRIPTION	DATE	DWN	APVD
J	-	P		REVISED PER ECO-11-005294	20APR11	RK	HMR



①材料及びめっき:
 コンタクト: 銅合金、下地ニッケル 1.27μm以上
 接点部: 金メッキ0.2μm以上、半田付け部: 錫メッキ1~3μm
 ハウジング: 熱可塑性樹脂
 ペグ: 銅合金、下地ニッケル 1.27μm以上
 半田付け部: 錫メッキ1~3μm

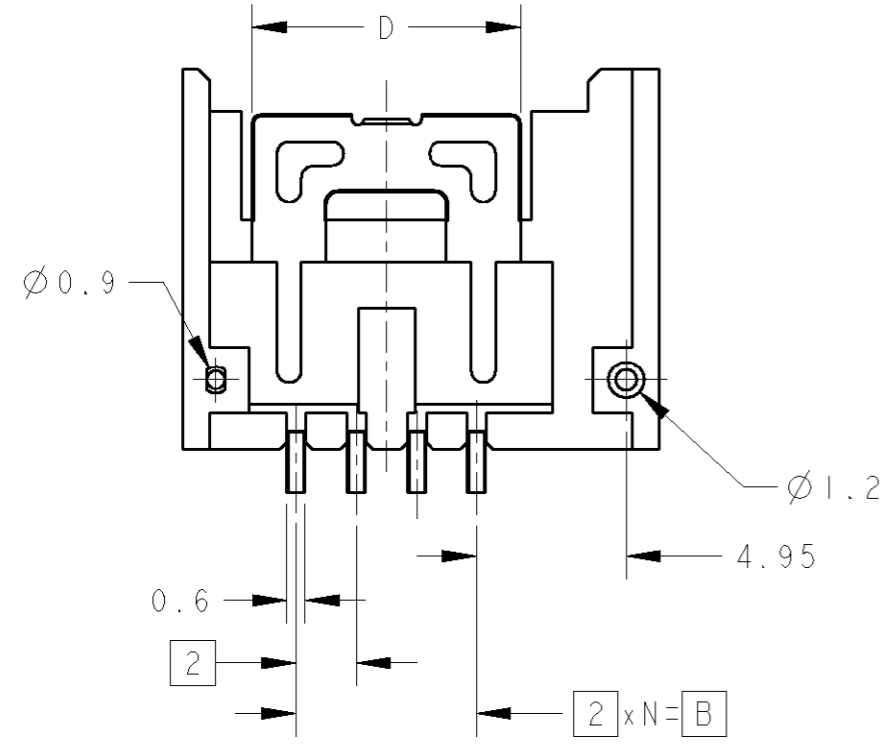
① MATERIAL & FINISH
 CONTACT: COPPER ALLOY, UNDER Ni PLATING 1.27μmMIN
 CONTACT AREA: Au PLATING 0.2μmMIN
 TINE AREA: TIN PLATING 1~3μm
 HOUSING: THERMO PLASTIC
 SOLDER PEG; COPPER ALLOY, UNDER Ni PLATING 1.27μmMIN
 TINE AREA: TIN PLATING 1~3μm



1565994-3, 4: AS SHOWN

参考基板寸法 (実装面側)
 REFERENCE DIMENSION OF PCB (MOUNTING SIDE)

1.1g	0.95g	1.1g	0.95g												
1	1	1	1	SOLDER PEG											3
4	3	4	3	HDR CONTACT											2
1				HSR HSG, 4P, W/O BOSS	10	8.9	-	6	15.8	3	4	1			
	1			HDR HSG, 3P, W/O BOSS	8	6.9	-	4	13.8	2	3	1			
		1		HDR HSG, 4P, WITH BOSS	10	8.9	13.6	6	15.8	3	4	1			
			1	HDR HSG, 3P, WITH BOSS	8	6.9	11.6	4	13.8	2	3	1			
1	-4	1	-3	-4	-3	NAME	E	D	C	B	A	N	POS	ITEM	



DIMENSIONS: 単位: 概 mm		TOLERANCES UNLESS OTHERWISE SPECIFIED: 一般公差 ±0.25 0-PLC ± 1-PLC ±0.1 2-PLC ±0.01 3-PLC ±0.001 4-PLC ±0.0001 ANGLES ±3		DWN 18APR2002 M. Kimura CHR 18APR2002 Y. KASHIWA APVD 18APR2002 Y. KASHIWA						
MATERIAL 材料 SEE NOTE		FINISH 仕上 SEE NOTE		PRODUCT SPEC 108-5765 APPLICATION SPEC 取付適用規格						NAME 名称 HDR ASSEMBLY, RIGHT ANGLE SMT TYPE RITS CONNECTOR WITH BOSS
WEIGHT TABLE		SIZE A3		CAGE CODE 00779		DRAWING NO 1565994		RESTRICTED TO		
CUSTOMER DRAWING						SCALE 尺度 4:1		SHEET 1 OF 3		REV P

4

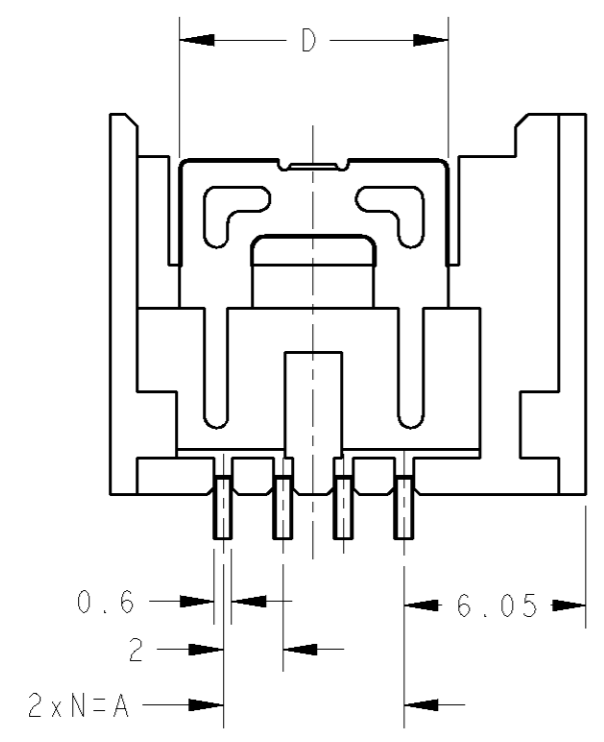
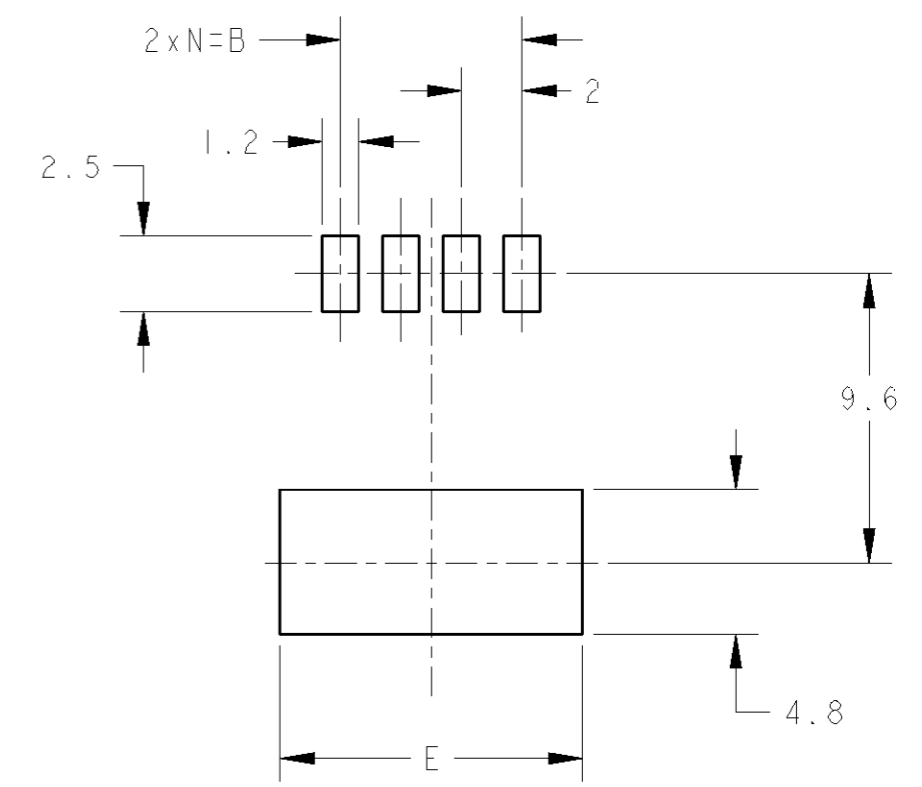
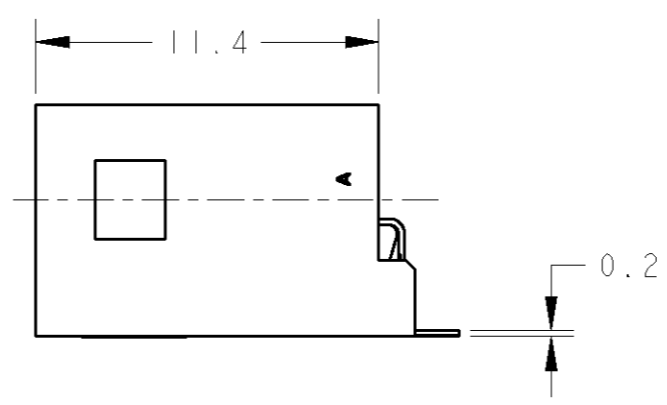
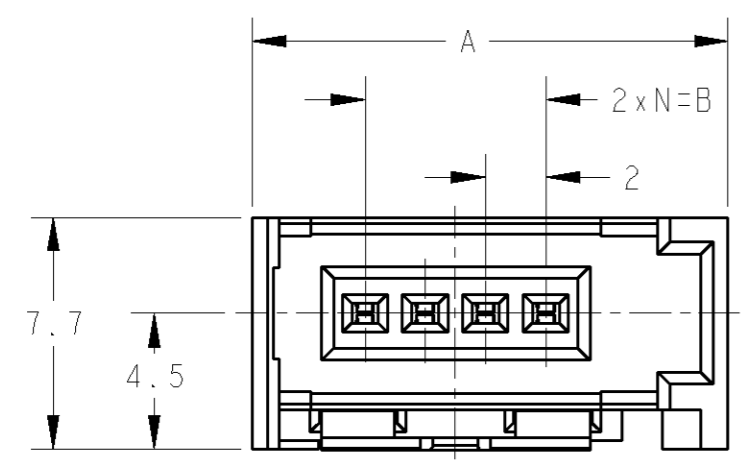
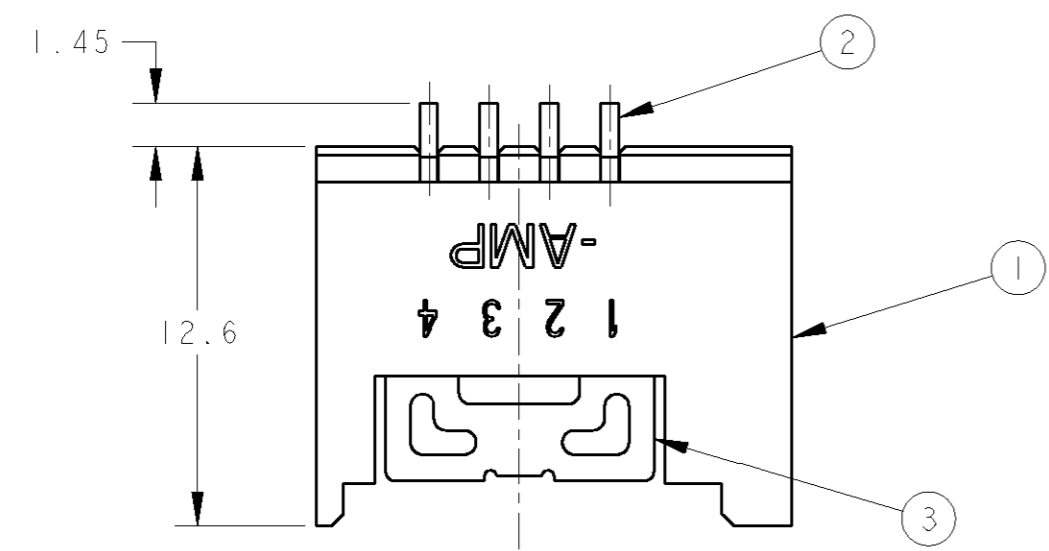
3

2

1

THIS DRAWING IS UNPUBLISHED. RELEASED FOR PUBLICATION
 © COPYRIGHT ALL RIGHTS RESERVED.

LOC	DIST	REVISIONS					
		P	LTR	DESCRIPTION	DATE	DWN	APVD
J	-	-	-	SEE SHEET 1	-	-	-



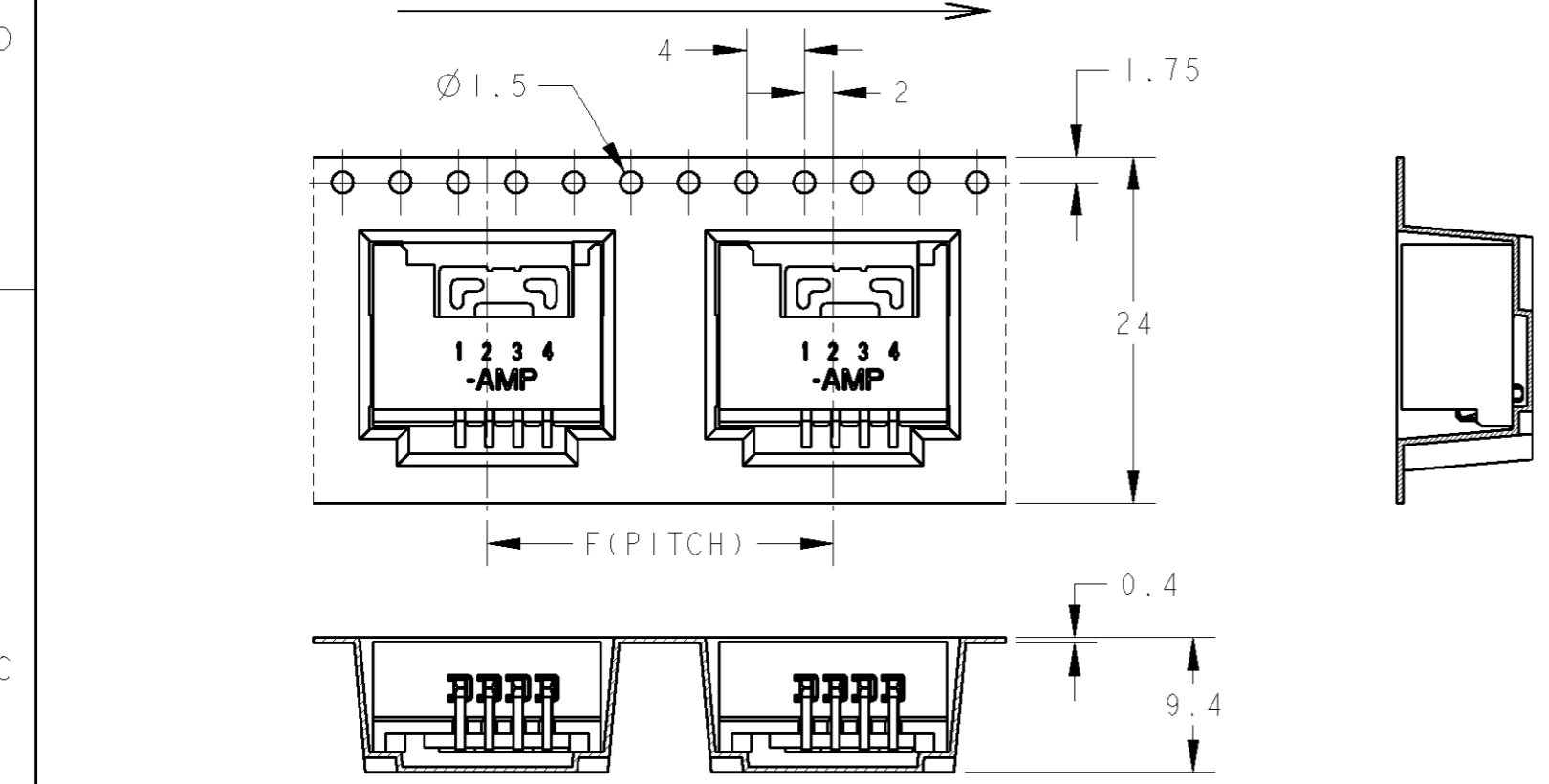
1-1565994-3, 4: AS SHOWN

参考基板寸法 (実装面側)
 REFERENCE DIMENSION OF PCB (MOUNTING SIDE)

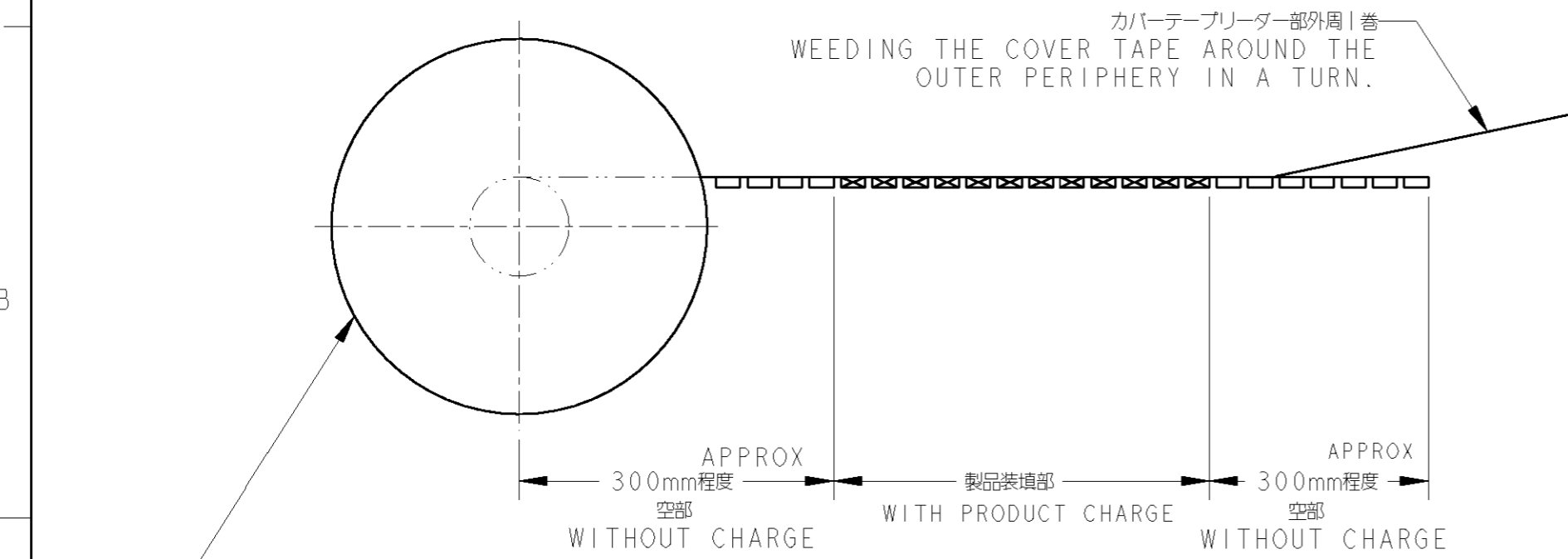
DIMENSIONS: 単位: 毫 mm		TOLERANCES UNLESS OTHERWISE SPECIFIED: 一般公差 ±0.25 0-PLC ± 1-PLC ±0.1 2-PLC ±0.01 3-PLC ±0.001 4-PLC ±0.0001 ANGLES ±3		DWN M. Kimura 18APR2002 CHR Y. KASHIWA 18APR2002 APVD Y. KASHIWA 18APR2002 PRODUCT SPEC 108-5765 APPLICATION SPEC 取付通用規格 - WEIGHT -		STE TE Connectivity	
MATERIAL 材料 -		FINISH 仕上 -		NAME 名称 HDR ASSEMBLY, RIGHT ANGLE SMT TYPE RITS CONNECTOR WITHOUT BOSS		SIZE A3 CAGE CODE 00779 DRAWING NO. 1565994 RESTRICTED TO -	
CUSTOMER DRAWING				SCALE 尺度 4:1		SHEET 2 OF 3 REV P	

THIS DRAWING IS UNPUBLISHED. RELEASED FOR PUBLICATION
 © COPYRIGHT ALL RIGHTS RESERVED.

LOC	DIST	REVISIONS					
		P	LTR	DESCRIPTION	DATE	DWN	APVD
J	-	-	-	SEE SHEET 1	-	-	-



PACKING STYLE



200	4	24	1-1565994-4
250	3	20	1-1565994-3
200	4	24	1565994-4
250	3	20	1565994-3
QTY	POS	F	PART NO.

REEL SIZE:
 330DIAx80DIA(HUB)x31.5W(25.5W INSIDE)

DIMENSIONS: 単位: 耗 mm	TOLERANCES UNLESS OTHERWISE SPECIFIED: 一般公差 ±0.3 0-PLC ± 1-PLC ± 2-PLC ± 3-PLC ± 4-PLC ± ANGLES ±3	DWN M. Kimura 18APR2002		NAME 名称 HDR ASSEMBLY, RIGHT ANGLE SMT TYPE RITS CONNECTOR EMBOSS ASSY
		MATERIAL 材料 -		
CUSTOMER DRAWING		SIZE A3 CAGE CODE 00779 DRAWING NO. 番号 C-1565994	RESTRICTED TO -	SCALE 尺度 NONE SHEET 3 OF 3 REV P

Mouser Electronics

Authorized Distributor

Click to View Pricing, Inventory, Delivery & Lifecycle Information:

[TE Connectivity:](#)

[1565994-4](#)