

4

3

2

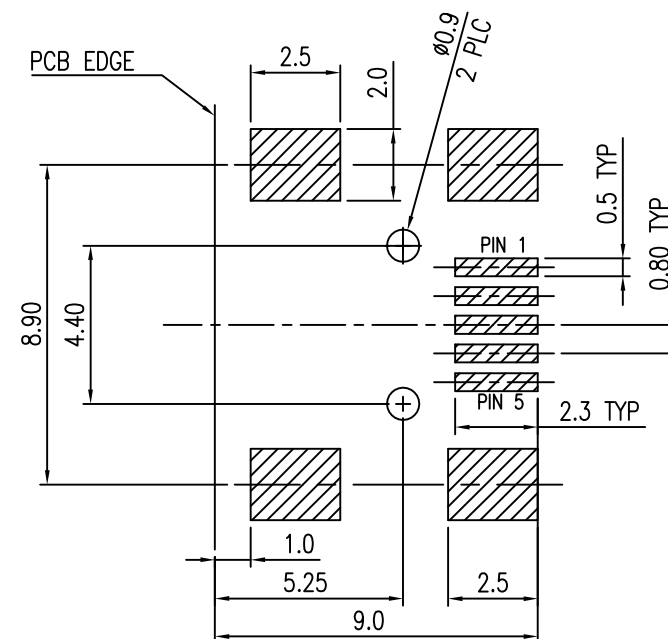
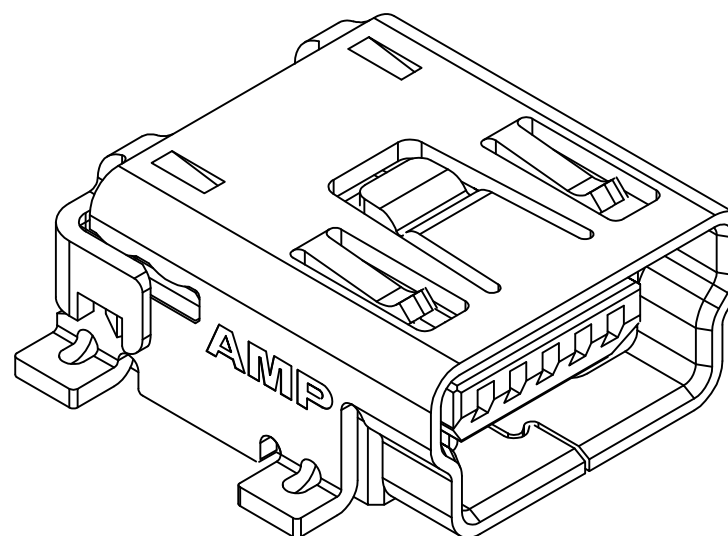
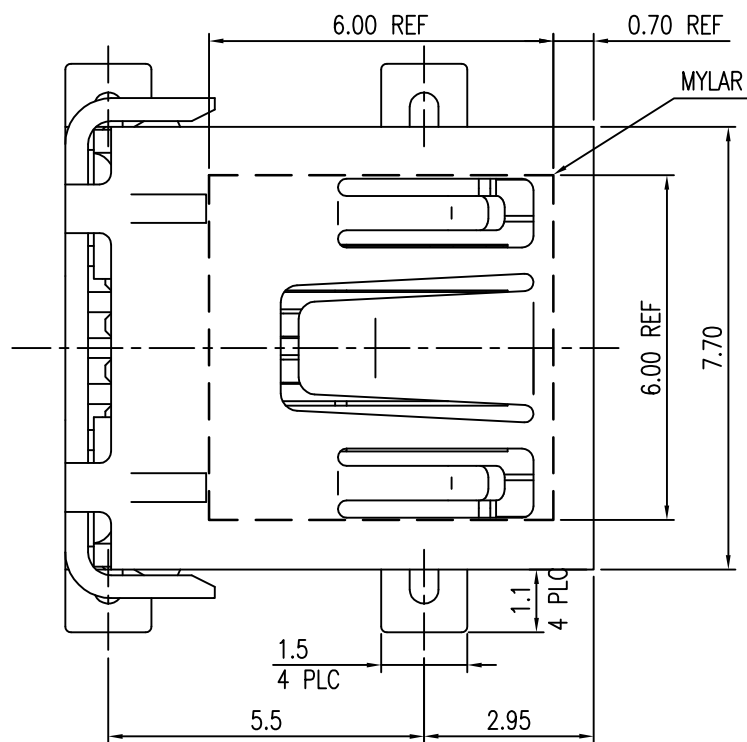
1

THIS DRAWING IS UNPUBLISHED.

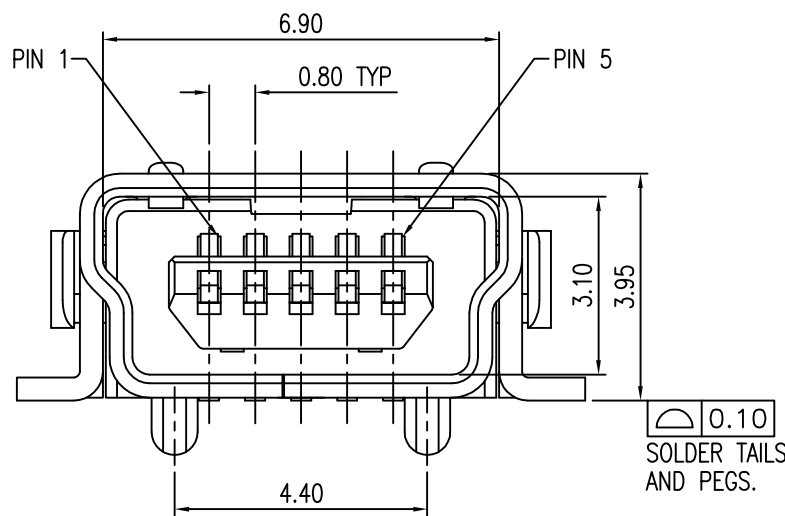
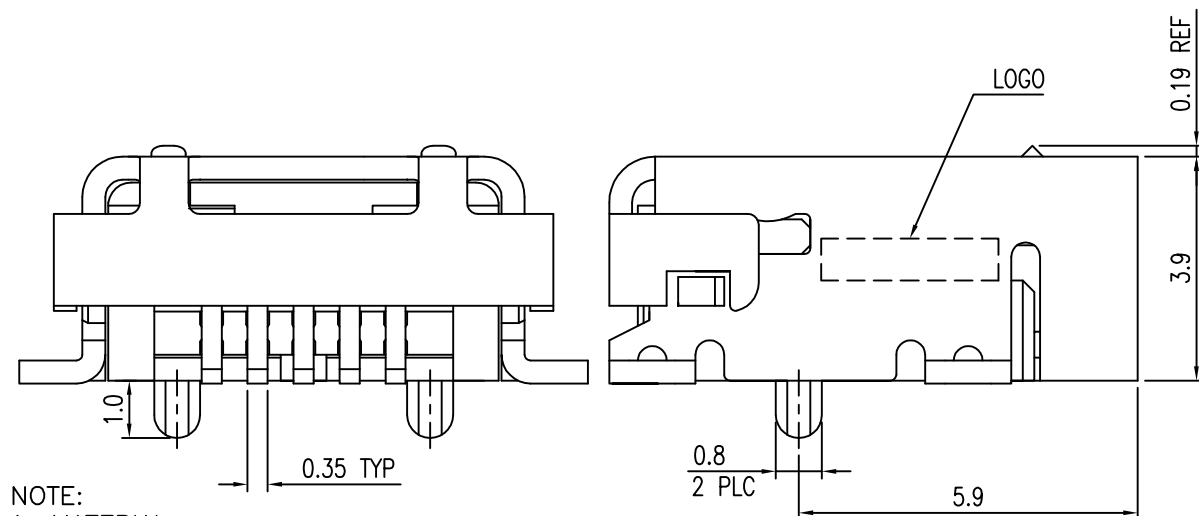
RELEASED FOR PUBLICATION

© COPYRIGHT BY TYCO ELECTRONICS CORPORATION. ALL RIGHTS RESERVED.

LOC	DIST	REVISIONS					
DW	-	P	LTR	DESCRIPTION	DATE	DWN	APVD
		F		REVISED SHELL MATERIAL	18MAY16	BL	J.L



RECOMMENDED PCB LAYOUT (MOUNTING SIDE)
THICKNESS 1.57mm (TOLERANCE: ±0.05)



- NOTE:
- MATERIAL:
HOUSING: PA9T WITH 33% GF, UL 94V-0, COLOR: SEE TABLE.
CONTACTS: PHOSPHOR BRONZE.
SHELL: SUS304, THICKNESS=0.40MM.
MYLAR: POLYAMIDE FILM.
 - FINISH:
CONTACTS: GOLD FLASH OVER
0.762µm [30µ"] MIN. PALLADIUM-NICKEL PLATED ON CONTACT AREA,
 - ▲ 2.54µm [100µ"] MIN. MATTE-TIN ON SOLDER TAIL,
 - ▲ 2.54µm [100µ"] MIN. MATTE-TIN ON SOLDER TAIL,
 - ▲ 3.05µm [120µ"] MIN. MATTE-TIN ON SOLDER TAIL,
WITH ENTIRE CONTACT UNDERPLATED 1.27µm [50µ"] MIN. NICKEL.
SHELL: ▲ & ▲ 1.27µm [50µ"] MIN. NICKEL PLATED OVERALL.
▲ 0.76µm [30µ"] MIN. MATTE-TIN OVER 1.27µm [50µ"] MIN. NICKEL.
 - NO DATECODE ON PRODUCT SURFACE.
 - REFLOW SOLDER CAPABLE TO 260°C PER TE TEST SPEC. 109-201, CONDITION B.

▲	BLACK	W/O	W/O	TAPE REEL	W/	3-1734035-2	
	BLACK	W/	W/O	TAPE REEL	W/	2-1734035-4	
▲	BLACK	W/O	W/	TAPE REEL	W/	2-1734035-3	
	BLACK	W/O	W/	TAPE REEL	W/	2-1734035-2	
	BLACK	W/O	N/A	TRAY	W/	2-1734035-1	
▲	NATURAL	W/	W/O	TAPE REEL	W/	1734035-5	
	BLACK	W/	W/O	TAPE REEL	W/	1734035-4	
	BLACK	W/O	W/	TAPE REEL	W/	1734035-3	
	BLACK	W/O	W/O	TAPE REEL	W/	1734035-2	
	BLACK	W/O	N/A	TRAY	W/	1734035-1	
	PLATED	HOUSING COLOR	MYLAR	LONG CARRIER & COVER TAPE	PACKAGE	POST	PART NUMBER

THIS DRAWING IS A CONTROLLED DOCUMENT.		DWN	O. HU	21DEC2007	 TE Connectivity
		CHK	S. HOU	21DEC2007	
		APVD	W. KODAMA	21DEC2007	NAME
		PRODUCT SPEC			108-57062
		QUALIFICATION TEST REPORT			501-57070
		WEIGHT			--
		CUSTOMER DRAWING			SCALE
		SHEET			1 of 4
		REV			F

4

3

2

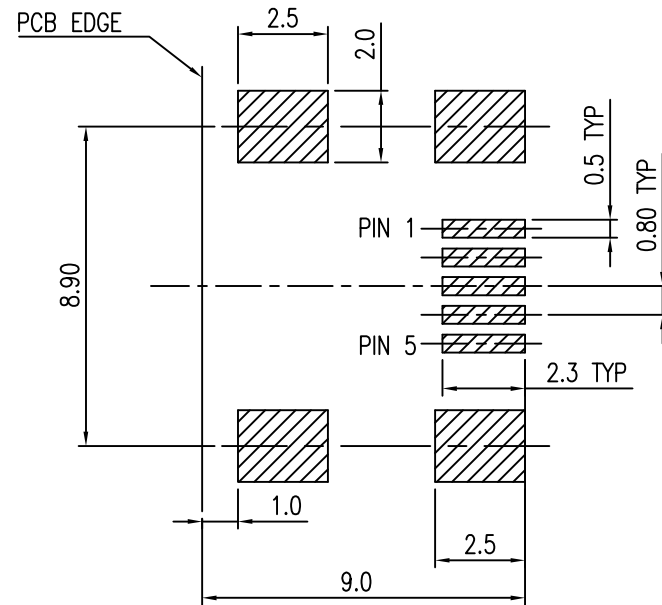
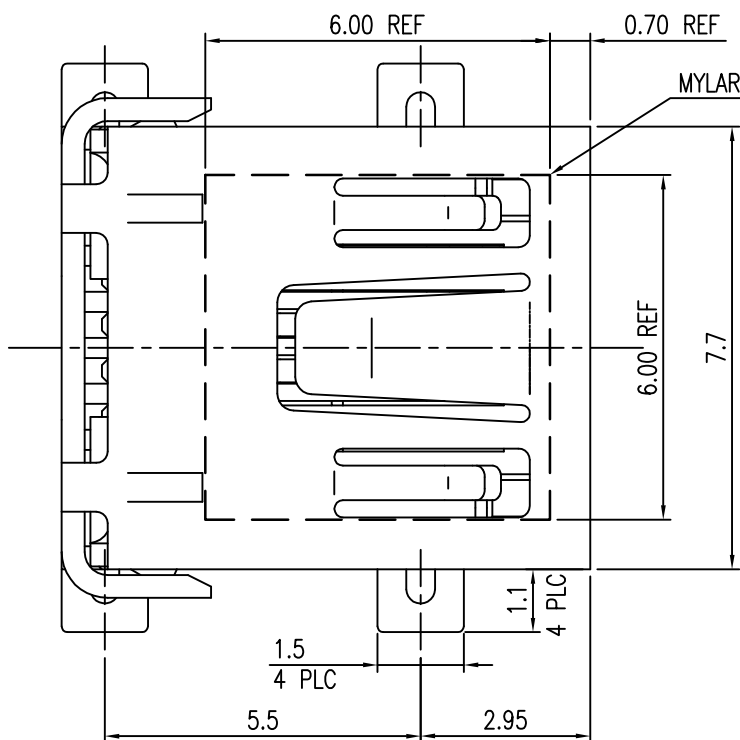
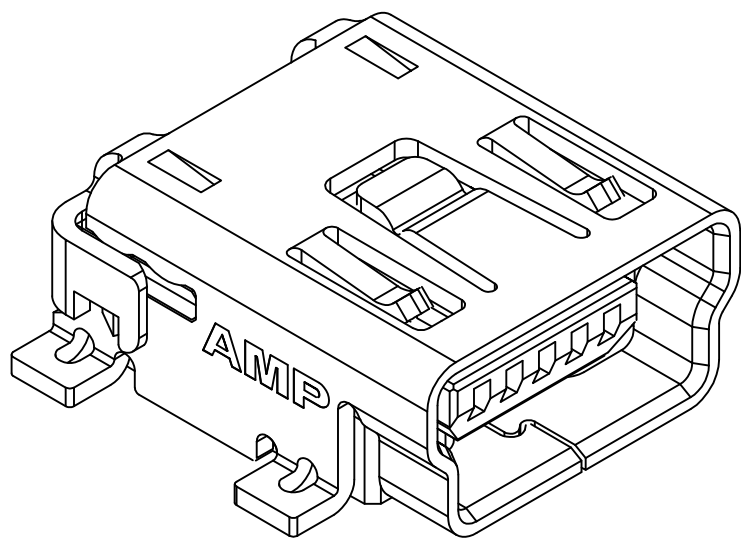
1

THIS DRAWING IS UNPUBLISHED.

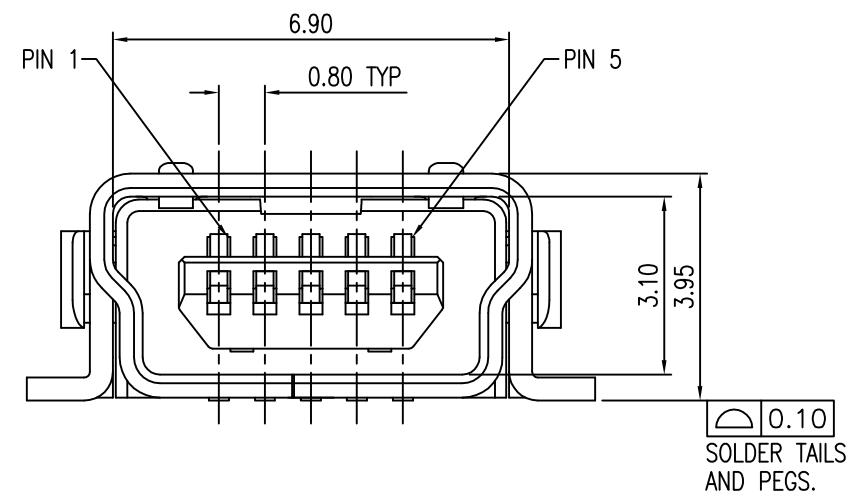
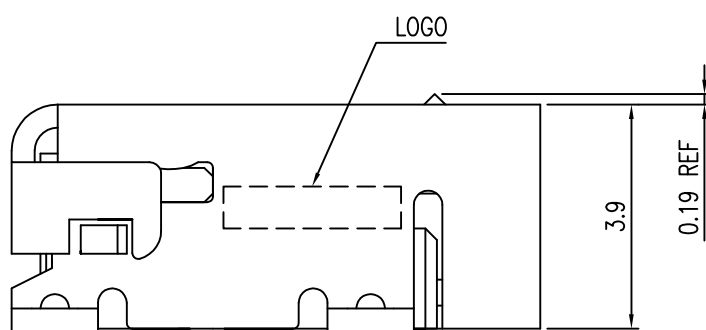
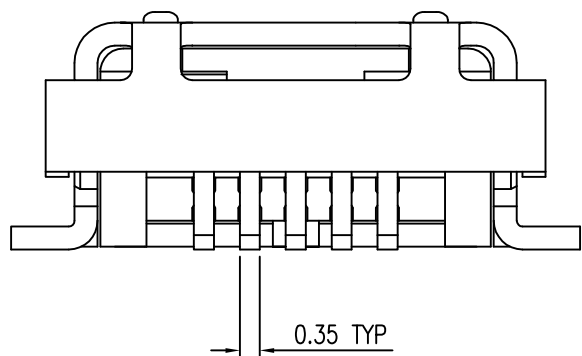
RELEASED FOR PUBLICATION

© COPYRIGHT BY TYCO ELECTRONICS CORPORATION. ALL RIGHTS RESERVED.

LOC	DIST	REVISIONS				
P	LTR	DESCRIPTION	DATE	DWN	APVD	
DW	-	SEE SHEET 1.				



RECOMMENDED PCB LAYOUT (MOUNTING SIDE)
THICKNESS 1.57mm (TOLERANCE:±0.05)



NOTE:

- MATERIAL:
HOUSING: PA9T WITH 33% GF, UL 94V-0, BLACK COLOR.
CONTACTS: PHOSPHOR BRONZE.
SHELL: SUS304, THICKNESS=0.40MM.
MYLAR: POLYAMIDE FILM.
- FINISH:
CONTACTS: GOLD FLASH OVER
0.762µm [30µ"] MIN. PALLADIUM-NICKEL PLATED ON CONTACT AREA,
2.54µm [100µ"] MIN. MATTE-TIN ON SOLDER TAIL, WITH
ENTIRE CONTACT UNDERPLATED 1.27µm [50µ"] MIN. NICKEL.
SHELL: 1.27µm [50µ"] MIN. NICKEL PLATED OVERALL.
- NO DATECODE ON PRODUCT SURFACE.
- REFLOW SOLDER CAPABLE TO 260°C PER TE TEST SPEC.
109-201, CONDITION B.

W/	W/O	TAPE REEL	W/O	4-1734035-2
	W/	TAPE REEL	W/O	1-1734035-3
W/O	W/O	TAPE REEL	W/O	1-1734035-2
	N/A	TRAY	W/O	1-1734035-1
MYLAR	LONG CARRIER & COVER TAPE	PACKAGE	POST	PART NUMBER

THIS DRAWING IS A CONTROLLED DOCUMENT.		DWN															
DIMENSIONS: MM		CHK															
TOLERANCES UNLESS OTHERWISE SPECIFIED:		APVD	NAME														
<table border="1"> <tr><td>0 PLC</td><td>± 0.38</td></tr> <tr><td>1 PLC</td><td>± 0.25</td></tr> <tr><td>2 PLC</td><td>± 0.13</td></tr> <tr><td>3 PLC</td><td>± 0.05</td></tr> <tr><td>4 PLC</td><td>± -</td></tr> <tr><td>ANGLES</td><td>± 3'</td></tr> </table>		0 PLC	± 0.38	1 PLC	± 0.25	2 PLC	± 0.13	3 PLC	± 0.05	4 PLC	± -	ANGLES	± 3'	PRODUCT SPEC	MINI USB, R/A, SMT, B TYPE		
0 PLC	± 0.38																
1 PLC	± 0.25																
2 PLC	± 0.13																
3 PLC	± 0.05																
4 PLC	± -																
ANGLES	± 3'																
MATERIAL		APPLICATION SPEC	SIZE	CAGE CODE	DRAWING NO												
SEE NOTE		WEIGHT	A3	00779	C=1734035												
		CUSTOMER DRAWING	RESTRICTED TO														
		SCALE	SHEET	REV													
			2 of 4	F													

4

3

2

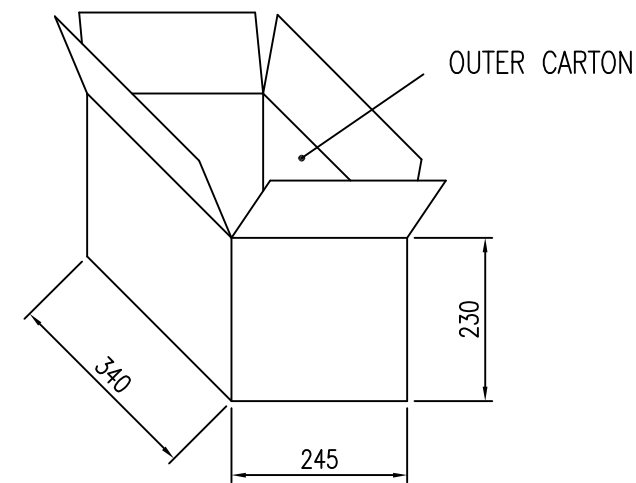
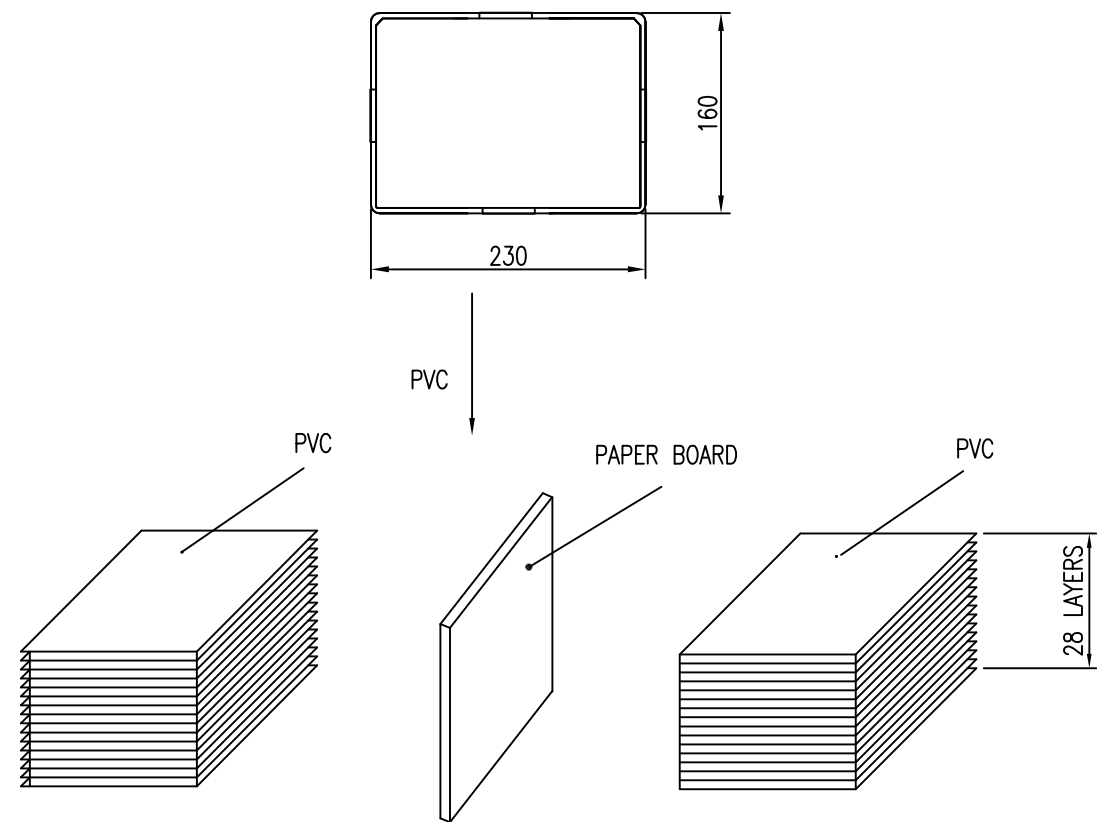
1

THIS DRAWING IS UNPUBLISHED.

RELEASED FOR PUBLICATION

© COPYRIGHT - BY TYCO ELECTRONICS CORPORATION. ALL RIGHTS RESERVED.

LOC	DIST	REVISIONS					
DW	-	P	LTR	DESCRIPTION	DATE	DWN	APVD
				SEE SHEET 1.			



8.25 Kg	5.55 Kg	150	56	8400 PCS	2-1734035-1
					1-1734035-1
					1734035-1
GROSS WEIGHT	NET WEIGHT	PCS/TRAY	TRAYS /CARTON	QUANTITY	PART NUMBER

THIS DRAWING IS A CONTROLLED DOCUMENT.		DWN	STE TE Connectivity		
DIMENSIONS: MM		CHK			
TOLERANCES UNLESS OTHERWISE SPECIFIED:		APVD	NAME		
0 PLC ± -		PRODUCT SPEC	MINI USB, R/A, SMT, B TYPE		
1 PLC ± -		APPLICATION SPEC	SIZE	CAGE CODE	DRAWING NO
2 PLC ± -		WEIGHT	A3	00779	1734035
3 PLC ± -			RESTRICTED TO		
4 PLC ± -			-		
ANGLES ± -			-		
MATERIAL		CUSTOMER DRAWING		SCALE	SHEET
FINISH				-	3 of 4
				REV	F

4

3

2

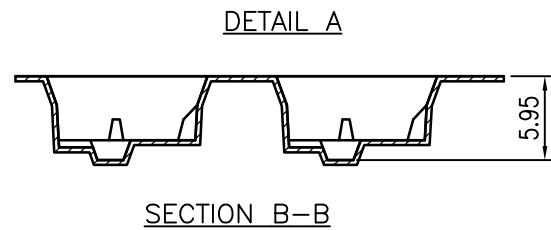
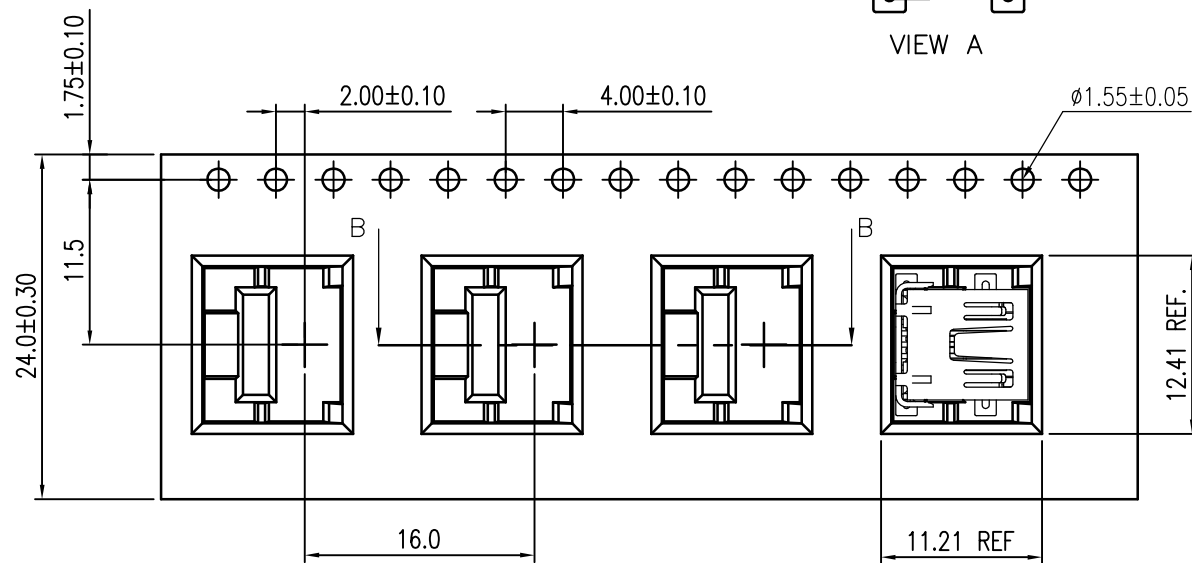
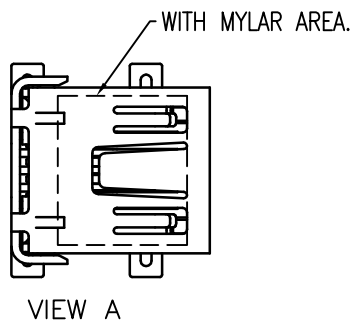
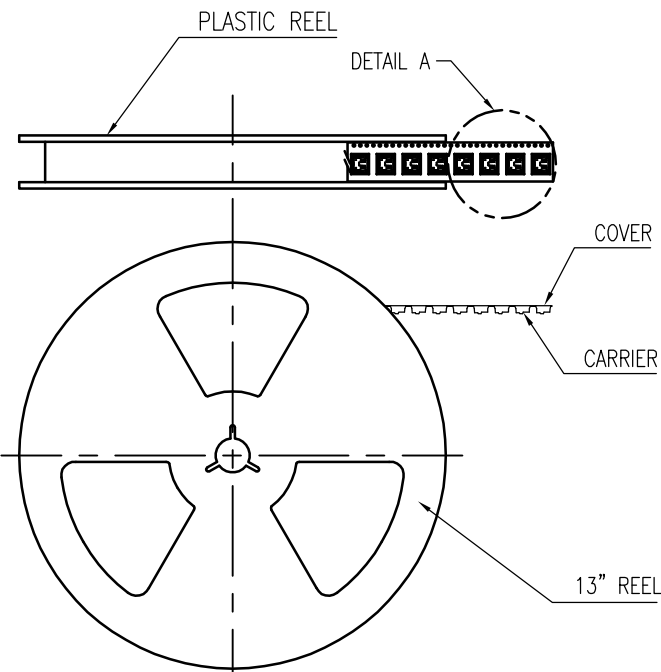
1

THIS DRAWING IS UNPUBLISHED.

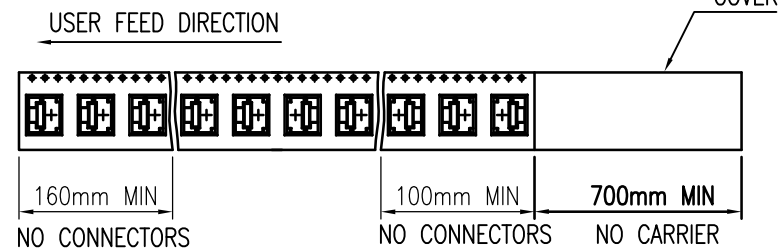
RELEASED FOR PUBLICATION

© COPYRIGHT BY TYCO ELECTRONICS CORPORATION. ALL RIGHTS RESERVED.

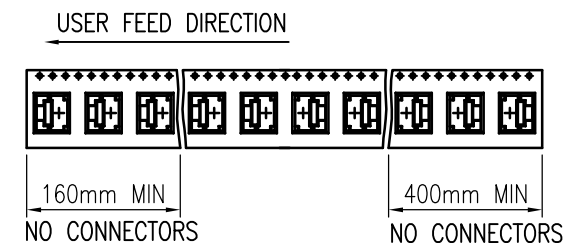
LOC	DIST	REVISIONS					
DW	-	P	LTR	DESCRIPTION	DATE	DWN	APVD
				SEE SHEET 1.			



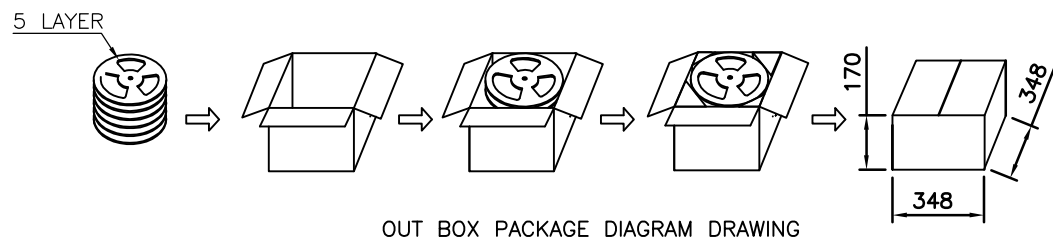
FOR 1734035-3, 1-1734035-3 AND 2-1734035-3 (LONG CARRIER & COVER TAPE)



FOR 1734035-2, 1734035-4, 1734035-5, 1-1734035-2, 3-1734035-2, 2-1734035-2, 2-1734035-4, 4-1734035-2



GROSS WEIGHT	NET WEIGHT	PCS/REER	REERS / CARTON	QUANTITY	MYLAR	LONG CARRIER & COVER TAPE	PART NUMBER
4.95 Kg	2.31 Kg	700	5	3500	W/	W/O	4-1734035-2
					W/O	W/O	3-1734035-2
					W/	W/O	2-1734035-4
					W/O	W/	2-1734035-3
					W/O	W/O	2-1734035-2
					W/O	W/	1-1734035-3
					W/O	W/O	1-1734035-2
					W/	W/O	1734035-5
					W/	W/O	1734035-4
					W/O	W/	1734035-3
					W/O	W/O	1734035-2



THIS DRAWING IS A CONTROLLED DOCUMENT.

DIMENSIONS: MM	TOLERANCES UNLESS OTHERWISE SPECIFIED:	DWN	TE Connectivity NAME MINI USB, R/A, SMT, B TYPE
	0 PLC ± -	CHK	
	1 PLC ± -	APVD	
	2 PLC ± -	PRODUCT SPEC	
MATERIAL	FINISH	APVD	RESTRICTED TO
		APVD	SIZE
		APVD	CAGE CODE
		APVD	DRAWING NO
		APVD	A300779
		APVD	©=1734035
		APVD	SCALE
		APVD	SHEET
		APVD	4 of 4
		APVD	REV
		APVD	F

CUSTOMER DRAWING

Mouser Electronics

Authorized Distributor

Click to View Pricing, Inventory, Delivery & Lifecycle Information:

[TE Connectivity:](#)

[1734035-3](#)