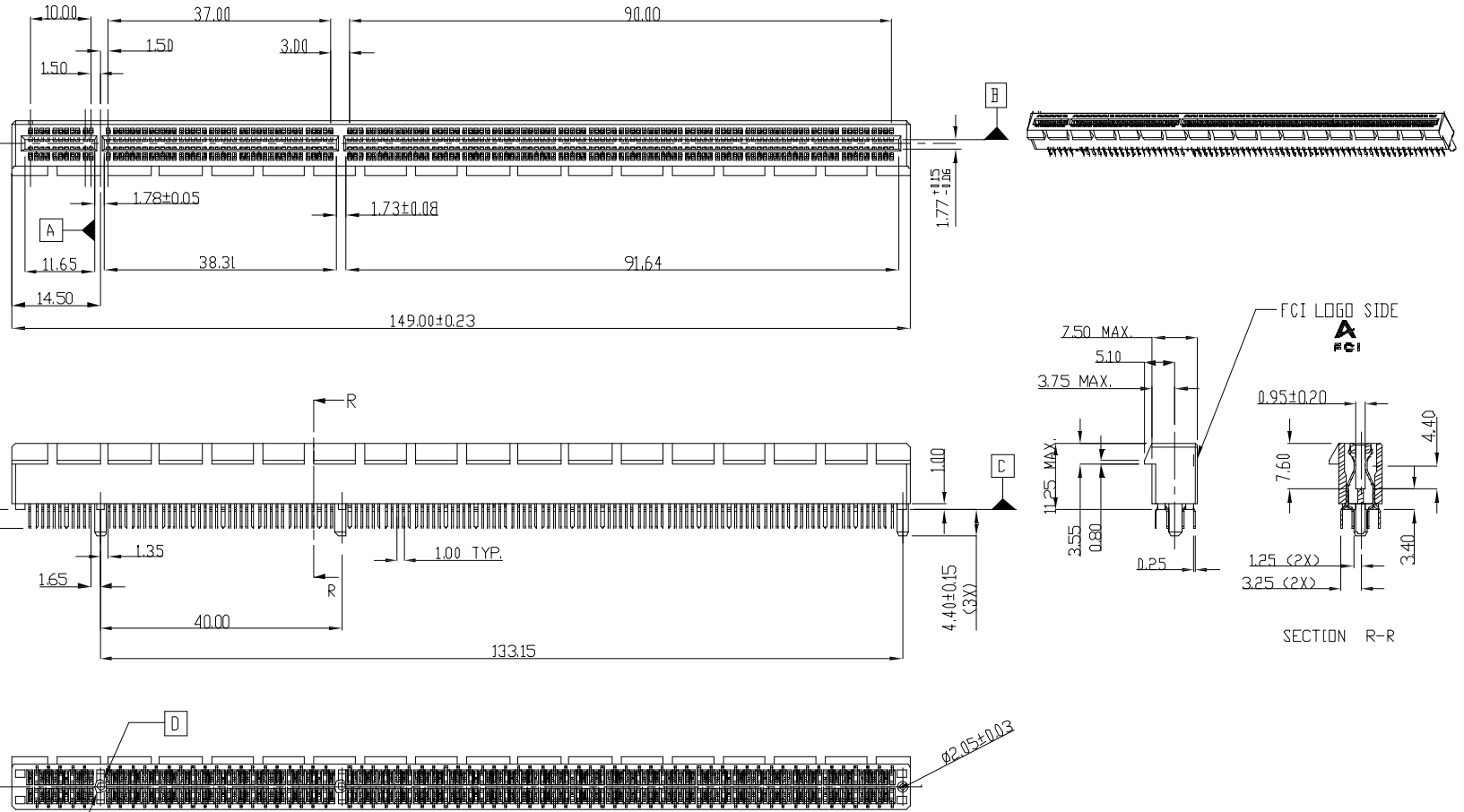

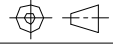
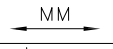
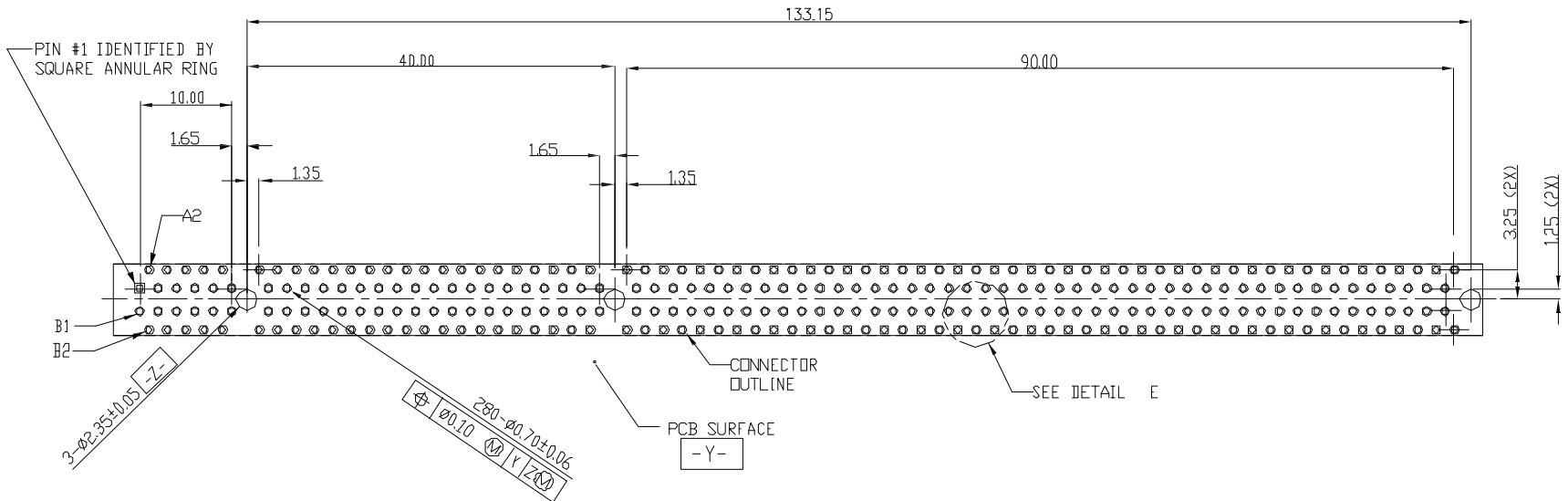


PROD NO  
SEE NOTE

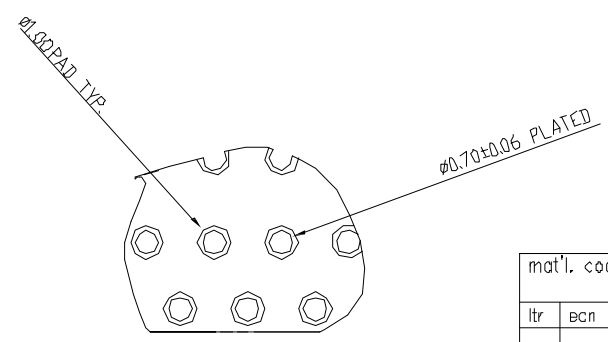


mat'l. code				tolerances unless otherwise specified				CUSTOMER COPY		 www.fciconnect.com	
ltr	ecn no	dr	date	linear	.X ±.38				projection	title	
A	TC5-D240	J.H	0/22/09		.XX ±.25					PCI-E 280P CARD EDGE GEN3	
B	TC6-D013	J.H	1/16/06		.XXX ±.10						
C	ELX-DG-2161-1	S T	05/27/15	angles	0° ±2°				 MM scale N/A	product family PCI	
				dr	STONE LI	05/27/15	size			code	
				engr	STONE LI	05/27/15	dwg no			-	
				chr	/	/	A4			10057596	
				appd	PM ZHENG	05/27/15	sheet		1 of 4		
sheet	revision	C	C	C	C						
index	sheet	1	2	3	4						

cage code  
22526



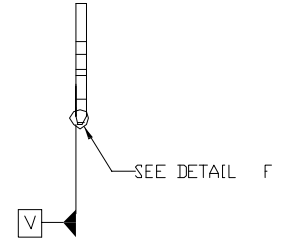
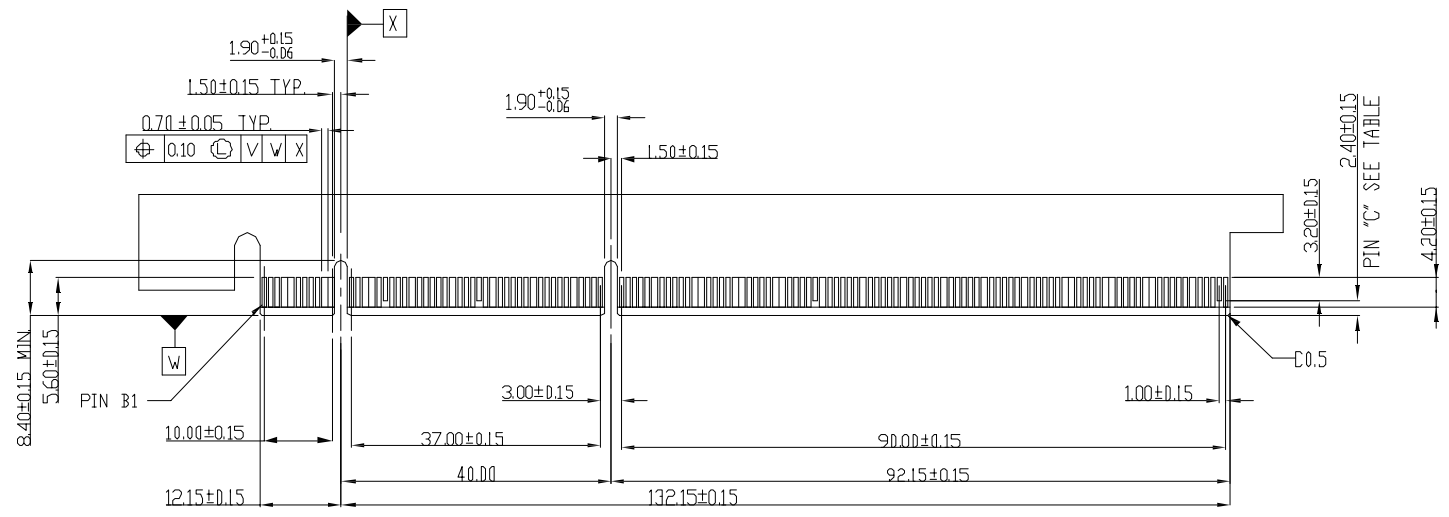
RECOMMENDED FOOTPRINT



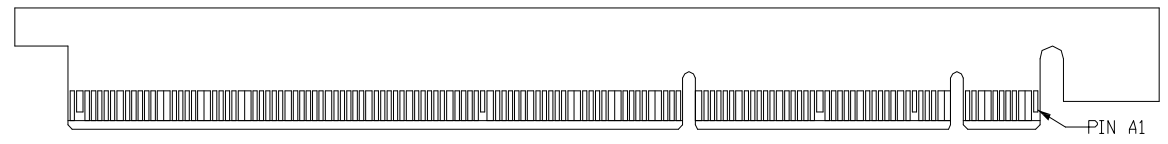
DETAIL E  
SCALE 5X

mat'l. code				tolerances unless otherwise specified				CUSTOMER COPY		 www.fciconnect.com		
ltr	ecn	na	dr	date	linear	.X ±.38	projection		title			
						.XX ±.25			PCI-E 280P CARD EDGE GEN3			
						.XXX ±.10						
					angles	0° ±2°	 MM	scale	product family		code	
					dr	STONE LI			05/27/15	PCI		-
					engr	STONE LI			05/27/15	size		sheet
					chr	/			/	A4		
					appd	PM ZHENG	05/27/15	N/A		10057596		
sheet	revision											
index	sheet											

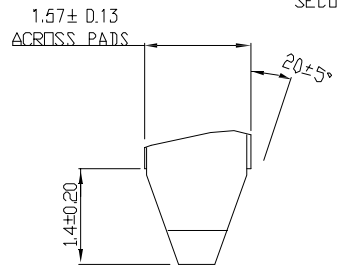
cage code  
22526



← I/O PANEL DIRECTION  
PRIMARY (COMPONENT) SIDE



I/O PANEL → DIRECTION  
DAUGHTER CARD  
SECONDARY (SOLDER) SIDE



DETAIL F  
SCALE 10X

PIN "C"	A1	A17	A31	A79	A139
	B17	B31	B79	B139	

mat'l. code				tolerances unless otherwise specified		CUSTOMER COPY	 www.fciconnect.com	
ltr	ecn no	dr	date	linear	.X ±.3B			projection
					.XX ±.25		PCI-E 280P CARD EDGE GEN3	
				angles	.XXX ±.10		product family	code
				dr	0° ±2°	MM	PCI	—
				engr	STONE LI 05/27/15	scale	size	—
				chr	STONE LI 05/27/15	N/A	dwg no	—
				appd	PM ZHENG 05/27/15	A4	10057596	sheet
sheet index	revision sheet							3 of 4

cage code  
22526

NOTES:

1.MATERIAL:

HOUSING: THERMOPLASTIC WITH GLASS FIBER, UL94V-0, COLOR IN BLACK.

CONTACTS: COPPER ALLOY.

2.FINISH:

CONTACTS: GOLD PLATING ON CONTACT AREA, 100u\*MIN. TIN/LEAD OR MATTE TIN (LEAD FREE OPTION) PLATING ON SOLDER TAILS, 50u\*MIN. NICKEL UNDERPLATING OVER ALL.

3. DURABILITY: 50 CYCLES.

4. RoHS COMPATIBLE PRODUCT SPECIFICATIONS

a. PLATING: "LF" MEANS THE PRODUCT IS LEAD FREE, 2.5um min. MATTE PURE TIN OVER 1.27um MIN. NICKEL UNDERPLATE.

b. MANUFACTURING PROCESS COMPATIBILITY: THE HOUSING WILL WITHSTAND EXPOSURE TO 260C\*±5C\* SOLDER BATH TEMPERATURE FOR 5 SECONDS IN A WAVE SOLDER APPLICATION WITH A 1.57MM THICK CIRCUIT BOARD.

PRODUCT NUMBER CODE  
10057596 - X X X X X X X X

HOUSING COLOR OPTIONS  
1-BLACK

PEGS OPTIONS  
0-PLASTIC PEGS

TERMINAL PLATING OPTIONS  
0-50u" Ni UNDERPLATE  
30u" Au CONTACT AREA  
100u" TIN TAIL AREA -----COMPATIBLE RoHS  
1-50u" Ni UNDERPLATE  
15u" Au CONTACT AREA  
100u" TIN TAIL AREA -----COMPATIBLE RoHS  
2-50u" Ni UNDERPLATE  
GOLD FLASH CONTACT AREA  
100u" TIN TAIL AREA -----COMPATIBLE RoHS


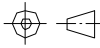

LEAD FREE

PACKAGING OPTIONS  
T-TRAY PACKAGING

RESERVE  
0

TAIL LENGTH OPTIONS

	DIM "D"	SUGGESTED PCB THICKNESS
1	3.10	2.36±0.10
2	2.54	1.56±0.10

mat'l. code				tolerances unless otherwise specified			CUSTOMER COPY		 www.fciconnect.com	
ltr	ecn no	dr	date	linear	.X ±.38		projection	title		
					.XX ±.25			PCI-E 280P CARD EDGE GEN3		
					.XXX ±.10					
				angles	0° ±2°					
				dr	STONE LI	05/27/15	MM	product family PCI		code
				enfr	STONE LI	05/27/15		size/ dwg no		-
				chr	/	/	scale	A4 10057596		sheet
				appd	PM ZHENG	05/27/15	N/A			4 of 4
sheet index	revision sheet									

cage code  
22526

# Mouser Electronics

Authorized Distributor

Click to View Pricing, Inventory, Delivery & Lifecycle Information:

[FCI / Amphenol:](#)

[10057596-10020TLF](#) [10057596-10110TLF](#) [10057596-10120TLF](#) [10057596-10010TLF](#)