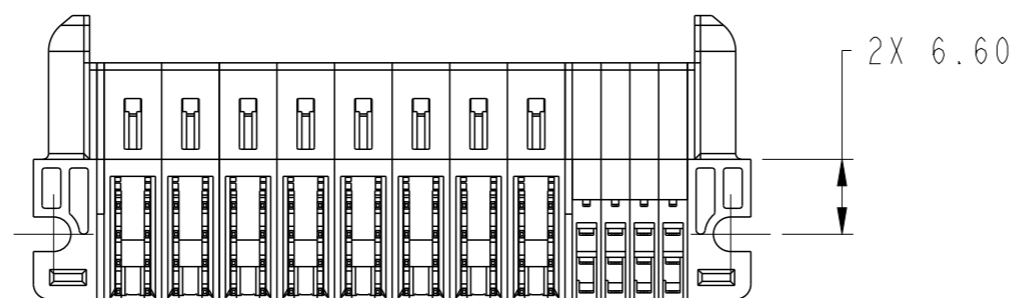
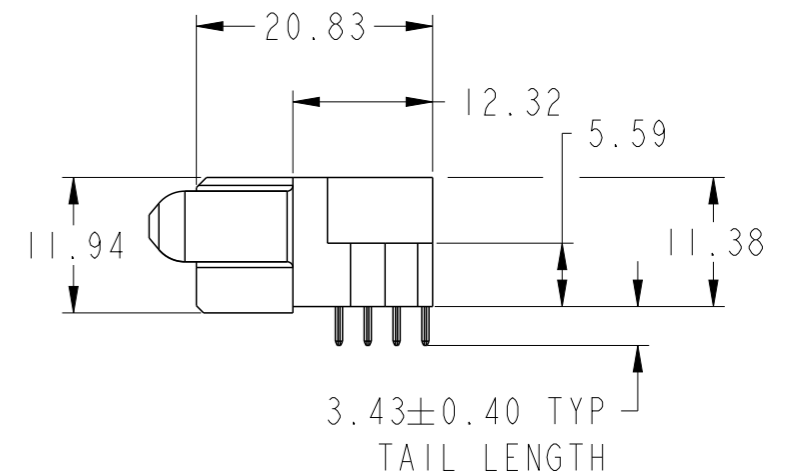
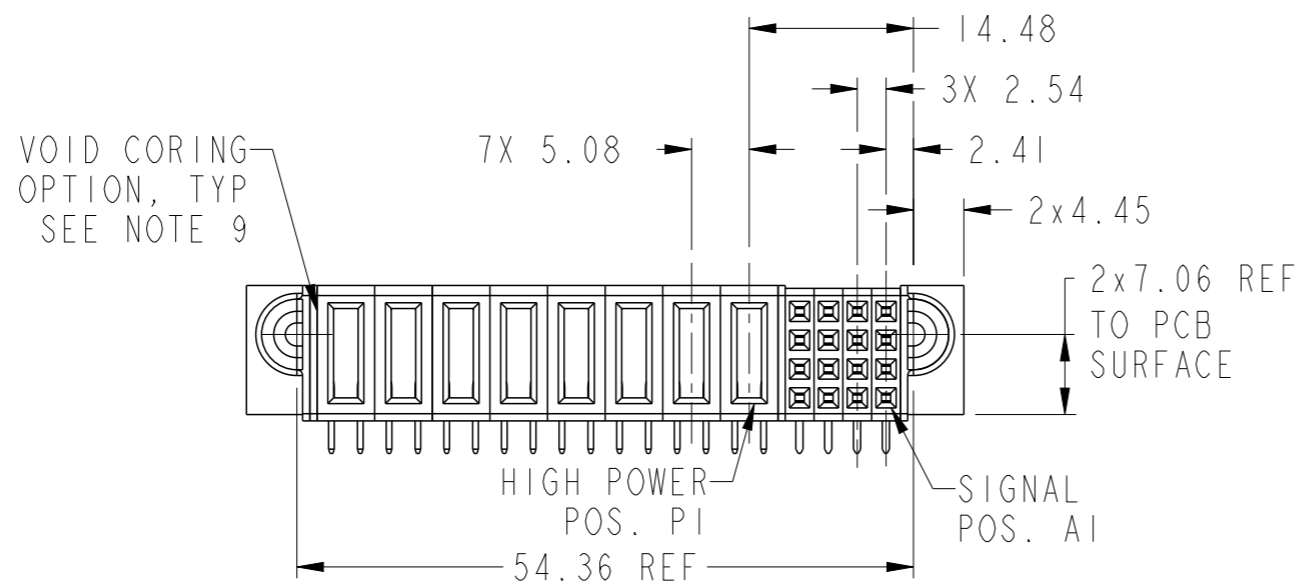
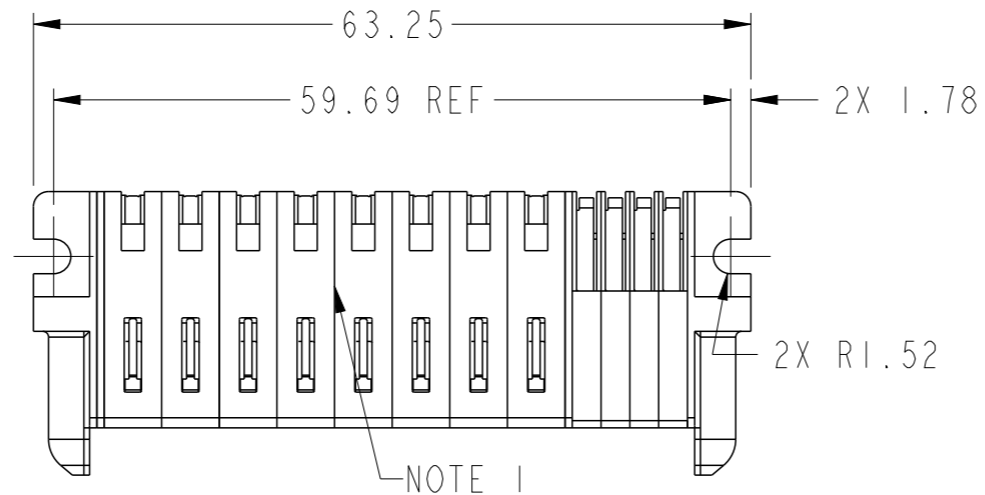


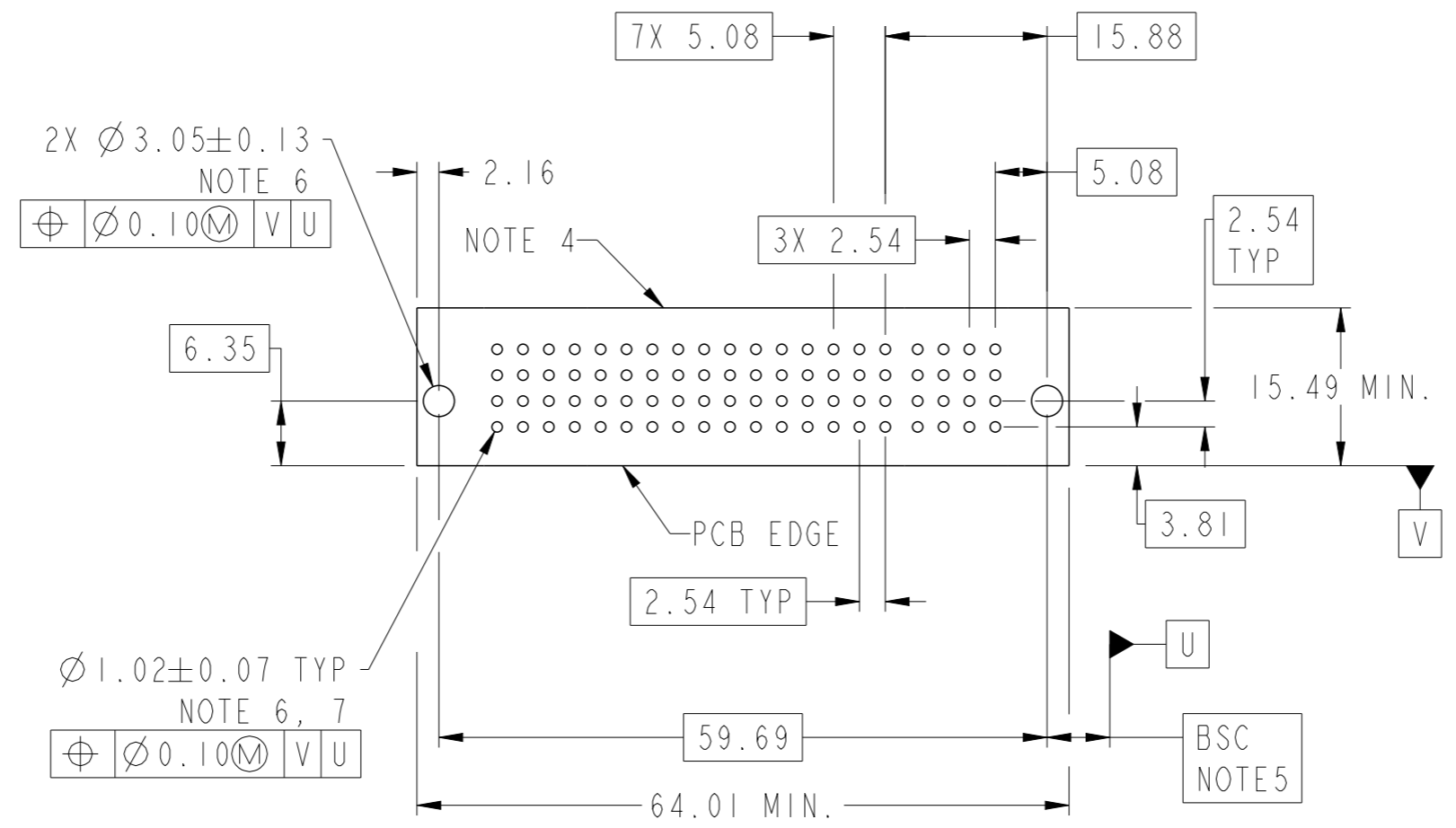
PRODUCT NUMBER SEE SHEET 2



spec ref	*	dr	Peng-Bing Fu	2013/04/22	projection	MM	size	A3	scale	3:2											
tolerance std	ASME Y14.5	eng	Peng-Bing Fu	2013/05/07			ecn no	-	rel level	Released											
TOLERANCES UNLESS OTHERWISE SPECIFIED		chr	-	-																	
surface	<table border="1"> <tr> <td>linear</td> <td>0.X</td> <td>±0.5</td> </tr> <tr> <td></td> <td>0.XX</td> <td>±0.25</td> </tr> <tr> <td></td> <td>0.XXX</td> <td>±0.10</td> </tr> <tr> <td>angular</td> <td>0°</td> <td>±2°</td> </tr> </table>	linear	0.X	±0.5		0.XX	±0.25		0.XXX	±0.10	angular	0°	±2°	appr	Pei-Ming Zheng	2013/05/07	product family	PwrBlade+	rel level	Released	
linear	0.X	±0.5																			
	0.XX	±0.25																			
	0.XXX	±0.10																			
angular	0°	±2°																			
ASME Y14.5	<table border="1"> <tr> <td>linear</td> <td>0.X</td> <td>±0.5</td> </tr> <tr> <td></td> <td>0.XX</td> <td>±0.25</td> </tr> <tr> <td></td> <td>0.XXX</td> <td>±0.10</td> </tr> <tr> <td>angular</td> <td>0°</td> <td>±2°</td> </tr> </table>	linear	0.X	±0.5		0.XX	±0.25		0.XXX	±0.10	angular	0°	±2°			title	16S + 8HDP RA STB RECEPTACLE	dwg no	10106134-8004001	rev	A
linear	0.X	±0.5																			
	0.XX	±0.25																			
	0.XXX	±0.10																			
angular	0°	±2°																			
www.fci.com		cat. no.		Product - Customer Drw			sheet 1 of 3														

PRODUCT NO.	ROWS	HIGH POWER								SIGNAL				E1	E2
		P8	P7	P6	P5	P4	P3	P2	P1	4	3	2	1		
10106134-8004001LF	D C B A	H3 H3 H3 H3 H3 H3 H3 H3								H H H H G G G G F F F F E E E E					

CODE	DESCRIPTION
E	STD SIGNAL CONTACT, ROW A
F	STD SIGNAL CONTACT, ROW B
G	STD SIGNAL CONTACT, ROW C
H	STD SIGNAL CONTACT, ROW D
H3	STD HIGH POWER CONTACT(3.43)



dr	Peng-Bing Fu	2013/04/22	projection	MM	size	A3	scale	3:2
eng	Peng-Bing Fu	2013/05/07			ecn no			
chr	-	-			-			
appr	Pei-Ming Zheng	2013/05/07	product family	PwrBlade+	rel level		Released	
			title		16S + 8HDP		rev	
www.fci.com			cat. no.		Product - Customer Drw		sheet 2 of 3	
			title		RA STB RECEPTACLE		rev	
			dwg no		10106134-8004001		A	

Copyright FCI.

NOTES:

- 1) "FCI", PART NUMBER AND DATE CODE TO BE MARKED ON THIS SURFACE.
THE MARK CAN BE OMITTED IF THERE IS NOT ENOUGH SPACE ON THIS SURFACE.
- 2) MATERIALS:
-HOUSING - GLASS FILLED WITH HIGH TEMP THERMOPLASTIC, UL94V-0.
-SIGNAL CONTACT - COPPER ALLOY.
-POWER CONTACT - HIGH CONDUCTIVITY COPPER ALLOY.
- 3) PLATING SPECIFICATION REFER TO FCI 10116351
- 4) DENOTES CONNECTOR KEEP OUT ZONE.
- 5) DATUM AND BASIC DIMENSIONS WERE ESTABLISHED BY CUSTOMER.
- 6) ALL HOLE DIAMETERS ARE FINISHED HOLE SIZES.
- 7) 1.15 ± 0.025 MM DRILLED HOLE PLATED WITH 0.00762MM MIN Sn
OVER 0.0254-0.0762MM Cu PLATING TO ACHIEVE A 1.02 ± 0.07 MM HOLE.
- 8) PRODUCT SPECIFICATION REFER TO FCI GS-12-658.
APPLICATION SPECIFICATION REFER TO FCI GS-20-141.
PRODUCT PACKAGED IN TRAYS, REFER TO FCI GS-14-1502.
- 9) THE VOID CORING IN BETWEEN POWER MODULES, SIGNAL
MODULES AND END MODULES ARE OPTIONAL AND THE SHAPE
MAY BE DIFFERENT FOR OPTIMIZE THE MOLDING PROCESS. THE
VOID CORING WILL NOT EFFECT TO PRODUCT FUNCTION.

dr	Peng-Bing Fu	2013/04/22	projection 	MM ←————→	size	A3	scale	3:2
eng	Peng-Bing Fu	2013/05/07			ecn no	-		
chr	-	-	product family	PwrBlade+	rel level	Released		
appr	Pei-Ming Zheng	2013/05/07			title	16S + 8HDP RA STB RECEPTACLE		dwg no 10106134-8004001 rev A
www.fci.com			cat. no.	Product - Customer Drw		sheet 3 of 3		



Mouser Electronics

Authorized Distributor

Click to View Pricing, Inventory, Delivery & Lifecycle Information:

[FCI / Amphenol:](#)

[10106134-8004001LF](#)