

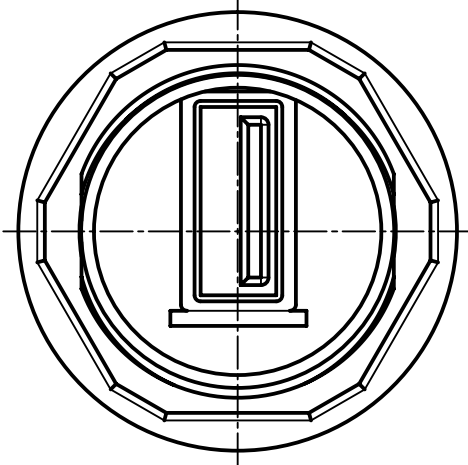
1 2 3 4 5 6

A

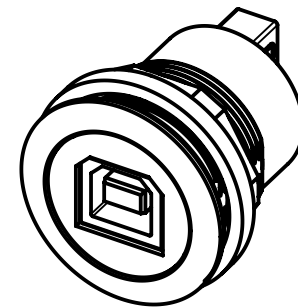
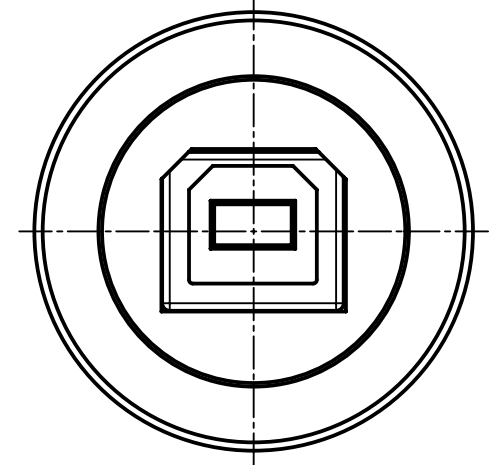
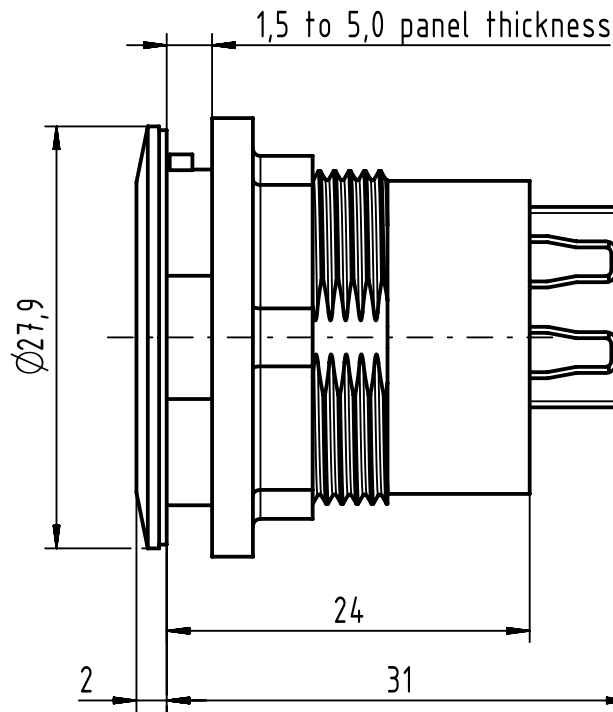
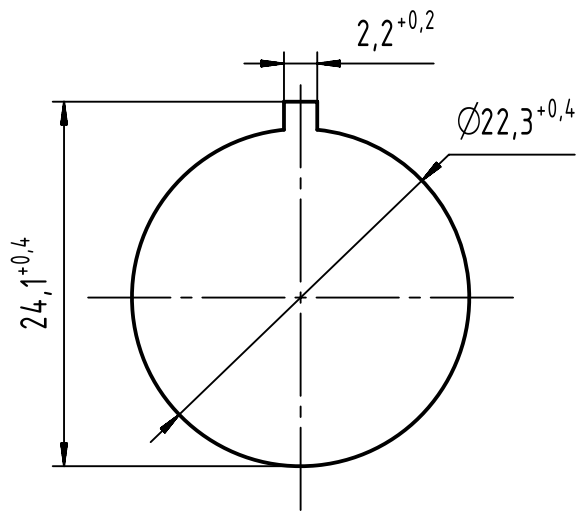
B


C

D



PANEL CUT DIMENSIONS



	All rights reserved Department EC PD - RO	All Dimensions in mm Original Size DIN A4		Scale 2:1	Free size tol.		Ref.	
		HARTING Electronics GmbH D-32339 Espelkamp	Created by TAMAS	Inspected by AVRAM	Standardisation HOFFMANN	Date 2017-07-07	State Final Release	Sub.
Title har-port USB 2.0 B-A coupler silver							Doc-Key / ECM-Nr. 100730620/UGD/000/A 500000121922	
				Type TB	Number 09454521906		Rev. A	Page 1/1

# Mouser Electronics

Authorized Distributor

Click to View Pricing, Inventory, Delivery & Lifecycle Information:

[HARTING:](#)

[09454521906](#)