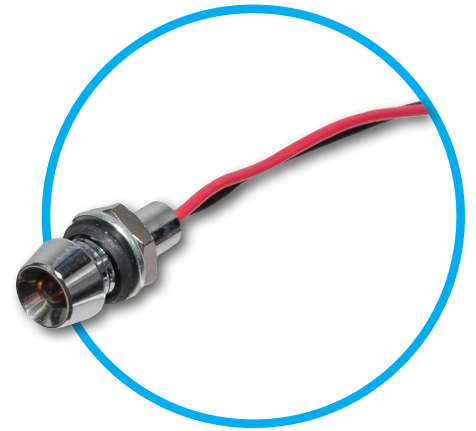




L60 Series 0.230" (5.9mm) Watertight LED Panel Mount Indicator

L60 Series offers a robust body with drip-proof protection in a small package



Applications

- automotive
- aerospace
- industrial
- instrumentation
- medical
- military
- mining
- outdoor
- safety
- transportation
- vending & gaming machines

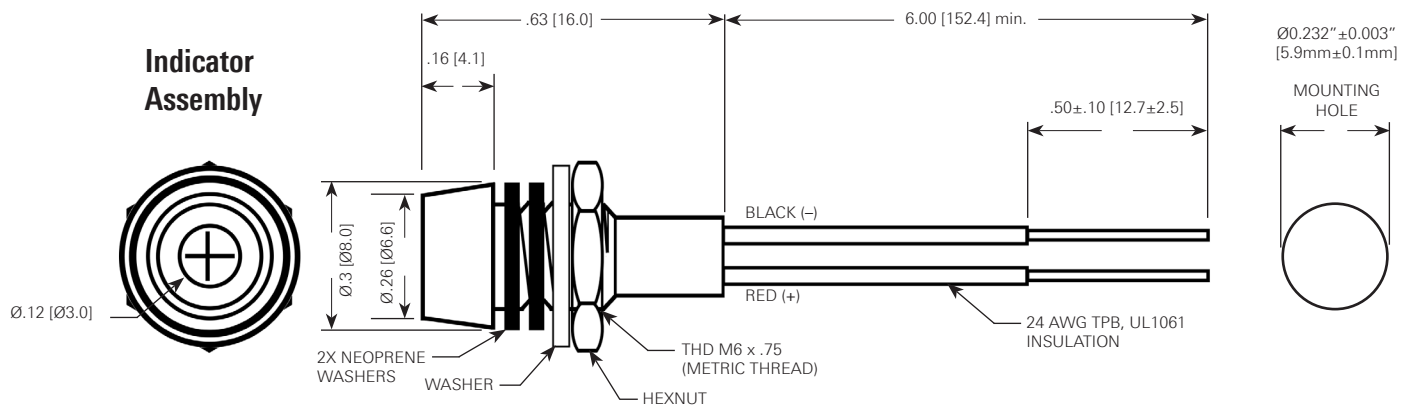
Key features

- watertight
- tinted diffused LEDs
- reflective chrome-plated body
- 45° viewing angle
- maximum panel thickness 0.070" (1.7mm)
- mounting hardware provided
- 6" (152.4mm) wire leads, 24 AWG
- mounting hole 0.232" ±0.003" (5.9mm ±0.1mm)
- Operating Temperature: -20 °C to +100 °C
- Storage Temperature: -40 °C to +100 °C
- RoHS compliant

Product Specifications

VCC Model Number	Output Color	Design Voltage / Current (Vf/If)	Max. Voltage / Current (Vf/If)	Typical Intensity (mcd)	Peak Wavelength (nm)																
L60D-R5-W	RED	5VDC / 17mA	5.5VDC / 20mA	60	635																
L60D-A5-W	AMBER	5VDC / 17mA	5.5VDC / 20mA	30	583																
L60D-G5-W	GREEN	5VDC / 17mA	5.5VDC / 20mA	44	565																
L60D-R12-W	RED	12VDC / 16mA	14VDC / 19mA	60	635																
L60D-A12-W	AMBER	12VDC / 16mA	14VDC / 19mA	30	583																
L60D-G12-W	GREEN	12VDC / 16mA	14VDC / 19mA </tr <tr> <td>L60D-R28-W</td> <td>RED</td> <td>28VDC / 15.8mA</td> <td>30VDC / 17.5mA</td> <td>60</td> <td>635</td> </tr> <tr> <td>L60D-A28-W</td> <td>AMBER</td> <td>28VDC / 15.8mA</td> <td>30VDC / 17.5mA</td> <td>30</td> <td>583</td> </tr> <tr> <td>L60D-G28-W</td> <td>GREEN</td> <td>28VDC / 15.8mA</td> <td>30VDC / 17.5mA</td> <td>44</td> <td>565</td> </tr>	L60D-R28-W	RED	28VDC / 15.8mA	30VDC / 17.5mA	60	635	L60D-A28-W	AMBER	28VDC / 15.8mA	30VDC / 17.5mA	30	583	L60D-G28-W	GREEN	28VDC / 15.8mA	30VDC / 17.5mA	44	565
L60D-R28-W	RED	28VDC / 15.8mA	30VDC / 17.5mA	60	635																
L60D-A28-W	AMBER	28VDC / 15.8mA	30VDC / 17.5mA	30	583																
L60D-G28-W	GREEN	28VDC / 15.8mA	30VDC / 17.5mA	44	565																

Dimensions



Mouser Electronics

Authorized Distributor

Click to View Pricing, Inventory, Delivery & Lifecycle Information:

VCC:

[L60D-R28-W](#) [L60D-A28-W](#) [L60D-R5-W](#) [L60D-G28-W](#) [L60D-G5-W](#) [L60D-R12-W](#) [L60D-A12-W](#) [L60D-G12-W](#)
[L60D-A5-W](#)