

# BAND LOCK ADAPTOR



This is another method of termination of screens. A high quality band will do the job in this back shell. Tempered bands are tightened over the shields, which is pulled over the banding area, using special assembly tools. Suitable over cover by heat shrink boot or some other method as chosen by the designer could be used. Both crimp ring and banded terminations give a low DC resistance.

For Connector Group		Page No.
J	→	VII-1
K	→	VII-2
L	→	VII-3
M	→	VII-4
N	→	VII-5

**Note:** For Connector group Identification refer Table 1 - A, B, C, D (Page 7-11) and for Material / Plating Finish, Refer Table-2 (Page 12)



Connector Group - J

Straight, 90°, 45°



Amphenol Part Number

BL1 X X J 99 99 9 X X

Series — BL1  
 Angle — X X  
 S: straight  
 A: 90deg  
 B: 45deg  
 Coupling — J  
 R: spin  
 S: Self lock  
 Connector group — 99 99 9  
 Finish: see Table-2  
 B: With band  
 X: Without band  
 Length — 9  
 9 - for standard  
 Length in table / figure  
 Entry size — X X  
 See Table-A  
 Shell size — 99 99 9  
 See Table-A

MIL Part Number

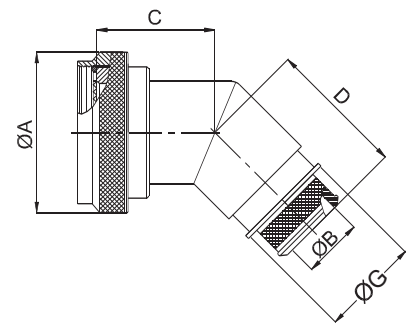
M85049 / 99 - 99 X 9

MIL Series — M85049 / 99 - 99  
 Entry size: See Table-A  
 Finish: See Table-2  
 Shell size: See Table-A  
 Slash sheet — X 9  
 82 : Straight, self lock  
 84 : 90deg, self lock  
 83 : 45deg, self lock

NOTE: \* For more cable entry and length options, contact factory

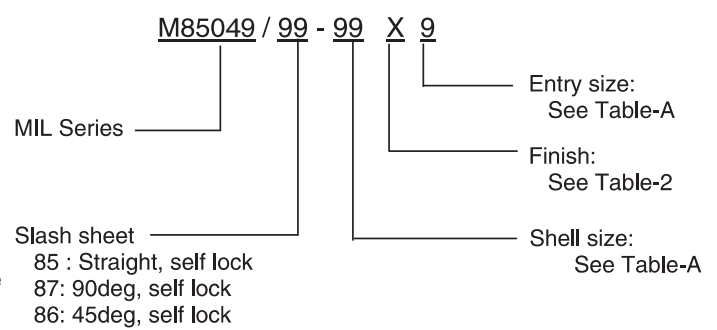
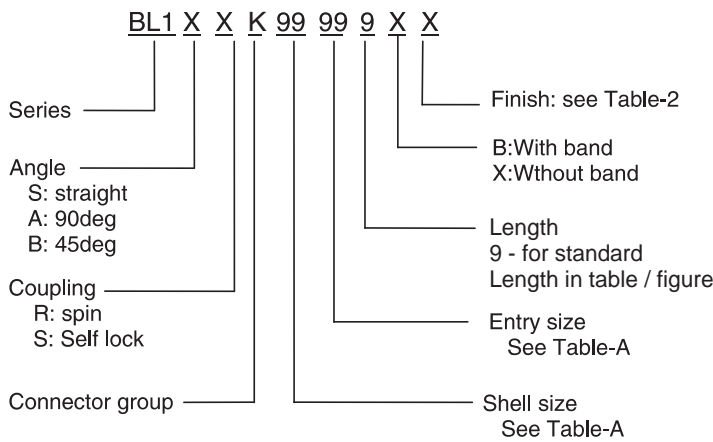
TABLE - A

AMPHENOL PART NUMBER DESIGNATOR		MIL PART NUMBER DESIGNATOR		CONNECTOR SHELL SIZE	A DIA. (MAX)		B DIA.		C (MAX)		D (MAX)		E (MAX)		F (MAX)		G (MAX)	
SHELL SIZE	ENTRY SIZE	ACCESSORY SHELL SIZE	ENTRY SIZE		INCH	MM	+0.00	+0.00	INCH	MM	INCH	MM	INCH	MM	INCH	MM	INCH	MM
							-0.02	-0.50										
08	01	08	02	8	0.89	22.48	N/A	N/A	0.87	22.10	1.16	29.46	1.19	30.18	1.42	35.99	N/A	N/A
	02		03				0.26	6.60									0.56	14.22
10	01	10	02	10	1.01	25.65	N/A	N/A	0.89	22.61	1.18	29.97	1.28	32.54	1.48	37.59	N/A	N/A
	02		03				0.32	8.13									0.63	16.00
12	01	12	02	7 / 12	1.14	28.83	0.32	8.13	0.92	23.37	1.20	30.48	1.41	35.71	1.54	39.17	0.63	16.00
	02		03				0.45	11.43									0.75	19.05
14	01	14	02	12 / 14	1.26	32.00	0.45	11.43	0.94	23.88	1.22	30.99	1.53	38.89	1.61	40.77	0.75	19.05
	02		03				0.57	14.48									0.89	22.61
16	01	16	02	19 / 16	1.39	35.18	0.51	12.95	0.96	24.38	1.25	31.75	1.66	42.06	1.67	42.34	0.82	20.83
	02		03				0.64	16.26									0.95	24.13
18	01	18	02	27 / 18	1.51	38.35	0.64	16.26	0.98	24.89	1.26	32.00	1.72	43.64	1.73	43.94	0.95	24.13
	02		03				0.76	19.30									1.07	27.18
20	01	20	02	37 / 20	1.64	41.53	0.64	16.26	1.00	25.40	1.29	32.77	1.84	46.84	1.79	45.52	0.95	24.13
	02		03				0.82	20.83									1.13	28.07
22	01	22	02	22	1.76	44.70	0.70	17.78	1.03	26.16	1.31	33.27	1.94	49.23	1.85	46.99	1.02	25.99
	02		03				0.95	24.13									1.26	32.00
24	01	24	02	24	1.89	47.88	0.76	19.30	1.05	26.67	1.34	34.04	2.09	53.16	1.92	48.69	1.07	27.18
	02		03				1.01	25.65									1.32	33.53
28	01	28	02	28	2.14	54.23	0.89	22.61	1.10	27.94	1.38	35.05	2.53	64.29	2.04	51.87	1.19	30.23
	02		03				1.14	28.96									1.47	37.34



**Amphenol Part Number**

**MIL Part Number**



**NOTE:** \* For more cable entry and length options, contact factory

AMPHENOL PART NUMBER DESIGNATOR		MIL PART NUMBER DESIGNATOR		CONNECTOR SHELL SIZE SE - II / I	A DIA. (MAX)		B DIA.		C (MAX)		D (MAX)		E (MAX)		F (MAX)		G (MAX)	
					INCH	MM	+0.00	-0.50	INCH	MM	INCH	MM	INCH	MM	INCH	MM	INCH	MM
08	01	08	01	8 / 9	0.86	21.82	N/A	N/A	0.87	22.10	1.16	29.46	1.38	34.93	1.42	35.99	N/A	N/A
	02		02				0.26	6.60									0.56	14.22
10	01	10	01	10 / 11	0.99	25.04	N/A	N/A	0.90	22.86	1.19	30.23	1.44	36.50	1.48	37.59	N/A	N/A
	02		02				0.32	8.13									0.63	16.00
12	01	12	01	12 / 13	1.16	29.36	0.32	8.13	0.92	23.37	1.21	30.73	1.56	39.67	1.55	39.45	0.63	16.00
	02		02				0.45	11.43									0.75	19.05
14	01	14	01	14 / 15	1.28	32.54	0.45	11.43	0.95	24.13	1.24	31.50	1.69	42.85	1.61	41.00	0.75	19.05
	02		02				0.57	14.48									0.89	22.61
16	01	16	01	16 / 17	1.41	35.71	0.51	12.95	0.98	24.89	1.26	32.00	1.75	44.45	1.68	42.62	0.82	20.83
	02		02				0.64	16.26									0.95	24.13
18	01	18	01	18 / 19	1.52	38.51	0.64	16.26	0.98	24.89	1.27	32.26	1.88	47.63	1.73	44.02	0.95	24.13
	02		02				0.76	19.30									1.07	27.18
20	01	20	01	20 / 21	1.64	41.68	0.64	16.26	1.01	25.65	1.30	33.02	1.94	49.23	1.80	45.62	0.95	24.13
	02		02				0.82	20.83									1.13	28.07
22	01	22	01	22 / 23	1.77	44.86	0.70	17.78	1.04	26.42	1.33	33.78	2.06	52.37	1.86	47.22	1.02	25.99
	02		02				0.95	24.13									1.26	32.00
24	01	24	01	24 / 25	1.89	48.03	0.76	19.30	1.07	27.18	1.35	34.29	2.13	53.98	1.92	48.74	1.07	27.18
	02		02				1.01	25.65									1.32	33.53

### Connector Group - L

Straight, 90°, 45°



Amphenol Part Number

BL1 X X L 99 99 9 X X

- Series — BL1
- Angle — X X  
S: straight  
A: 90deg  
B: 45deg
- Coupling — L  
R: spin  
S: Self lock
- Connector group — 99 99 9
- Finish: see Table-2 — X X
- B: With band  
X: Without band
- Length — 9  
Length in table / figure
- Entry size — See Table-A
- Shell size — See Table-A

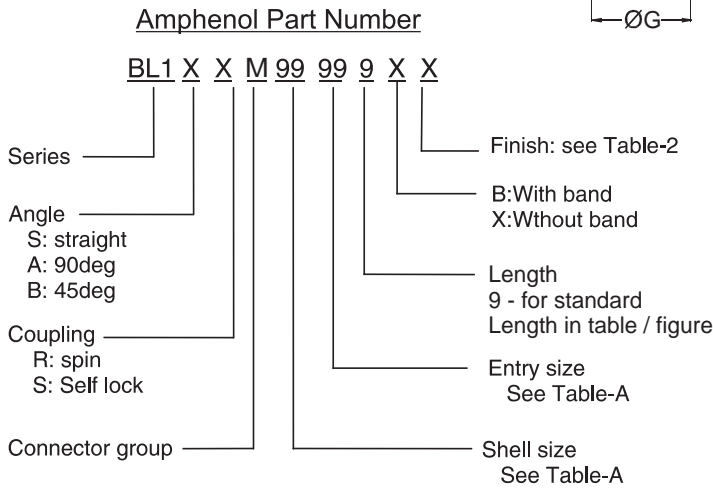
MIL Part Number

M85049 / 99 - 99 X 9

- MIL Series — M85049
- Slash sheet — 99 - 99  
88 : Straight, self lock  
90: 90deg, self lock  
89: 45deg, self lock
- Entry size: See Table-A — X
- Finish: See Table-2 — 9
- Shell size: See Table-A

**NOTE:** \* For more cable entry and length options, contact factory

AMPHENOL PART NUMBER DESIGNATOR		MIL PART NUMBER DESIGNATOR		CONNECTOR SHELL SIZE/CODE	A DIA. (MAX)		B DIA.		C (MAX)		D (MAX)		E (MAX)		F (MAX.)		G (MAX)	
SHELL SIZE	ENTRY SIZE	CONNECTOR SHELL SIZE	ENTRY SIZE		INCH	MM	+0.00	+0.00	INCH	MM	INCH	MM	INCH	MM	INCH	MM	INCH	MM
							-0.02	-0.50										
08	01	09	02	09 / A	0.86	21.82	N/A	N/A	1.01	25.65	1.16	29.46	1.38	34.93	1.42	35.99	N/A	N/A
	02		03				0.26	6.60									0.56	14.22
10	01	11	02	11 / B	0.99	25.04	N/A	N/A	1.03	26.16	1.19	30.23	1.44	36.50	1.48	37.59	N/A	N/A
	02		03				0.32	8.13									0.63	16.00
12	01	13	02	13 / C	1.16	29.36	0.32	8.13	1.06	26.92	1.21	30.73	1.56	39.67	1.55	39.45	0.63	16.00
	02		03				0.45	11.43									0.75	19.05
14	01	15	02	15 / D	1.28	32.54	0.45	11.43	1.08	27.43	1.24	31.50	1.69	42.85	1.61	41.00	0.75	19.05
	02		03				0.57	14.48									0.89	22.61
16	01	17	02	17 / E	1.41	35.71	0.51	12.95	1.11	28.19	1.26	32.00	1.75	44.45	1.68	42.62	0.82	20.83
	02		03				0.64	16.26									0.95	24.13
18	01	19	02	19 / F	1.52	38.51	0.64	16.26	1.12	28.45	1.27	32.26	1.88	47.63	1.77	45.03	0.95	24.13
	02		03				0.76	19.30									1.07	27.18
20	01	21	02	21 / G	1.64	41.68	0.64	16.26	1.15	29.21	1.30	33.02	1.94	49.23	1.80	45.62	0.95	24.13
	02		03				0.82	20.83									1.13	28.07
22	01	23	02	23 / H	1.77	44.86	0.70	17.78	1.17	29.72	1.33	33.78	2.06	52.37	1.86	47.22	1.02	25.99
	02		03				0.95	24.13									1.26	32.00
24	01	25	02	25 / J	1.89	48.03	0.76	19.30	1.20	30.48	1.35	34.29	2.13	53.98	1.92	48.74	1.07	27.18
	02		03				1.01	25.65									1.32	33.53

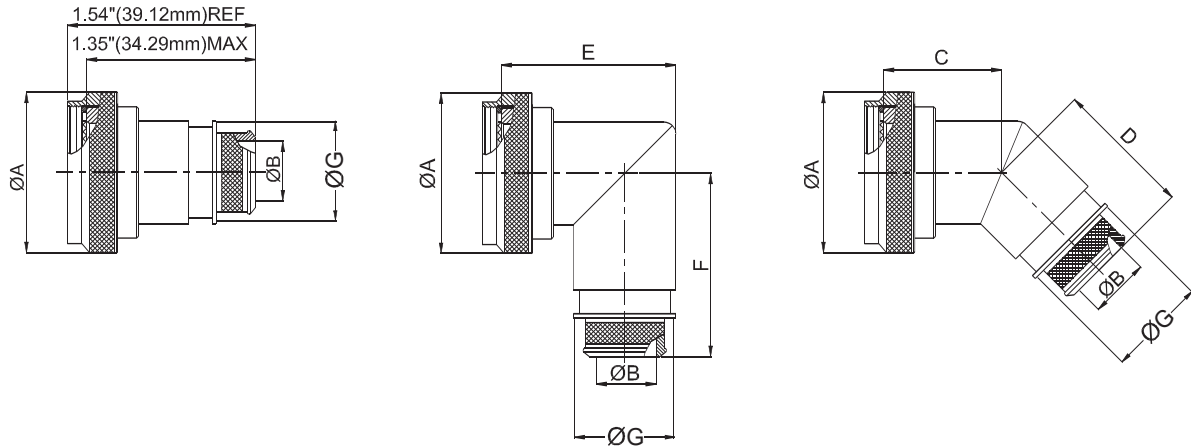


**NOTE:** \* For more cable entry and length options, contact factory

AMPHENOL PART NUMBER DESIGNATOR		CONNECTOR SHELL SIZE	A DIA. (MAX)		B DIA.		C (MAX)		D (MAX)		E (MAX)		F (MAX)		G (MAX)	
			INCH	MM	+0.00 -0.02	+0.00 -0.50	INCH	MM	INCH	MM	INCH	MM	INCH	MM	INCH	MM
08	01	8 / 9	0.86	21.82	N/A	N/A	0.87	22.10	1.16	29.46	1.38	34.93	1.42	35.99	N/A	N/A
	02				0.26	6.60									0.56	14.22
10	01	10 / 11	0.99	25.04	N/A	N/A	0.90	22.86	1.19	30.23	1.44	36.50	1.48	37.59	N/A	N/A
	02				0.32	8.13									0.63	16.00
12	01	12 / 13	1.16	29.36	0.32	8.13	0.92	23.37	1.21	30.73	1.56	39.67	1.55	39.45	0.63	16.00
	02				0.45	11.43									0.75	19.05
14	01	14 / 15	1.28	32.54	0.45	11.43	0.95	24.13	1.24	31.50	1.69	42.85	1.61	41.00	0.75	19.05
	02				0.57	14.48									0.89	22.61
16	01	16 / 17	1.41	35.71	0.51	12.95	0.98	24.89	1.26	32.00	1.75	44.45	1.68	42.62	0.82	20.83
	02				0.64	16.26									0.95	24.13
18	01	18 / 19	1.52	38.51	0.64	16.26	0.98	24.89	1.27	32.26	1.88	47.63	1.73	44.02	0.95	24.13
	02				0.76	19.30									1.07	27.18
20	01	20 / 21	1.64	41.68	0.64	16.26	1.01	25.65	1.30	33.02	1.94	49.23	1.80	45.62	0.95	24.13
	02				0.82	20.83									1.13	28.07
22	01	22 / 23	1.77	44.86	0.70	17.78	1.04	26.42	1.33	33.78	2.06	52.37	1.86	47.22	1.02	25.99
	02				0.95	24.13									1.26	32.00
24	01	24 / 25	1.89	48.03	0.76	19.30	1.07	27.18	1.35	34.29	2.13	53.98	1.92	48.74	1.07	27.18
	02				1.01	25.65									1.32	33.53

### Connector Group - N

Straight, 90°, 45°



#### Amphenol Part Number



NOTE: \* For more cable entry and length options, contact factory

AMPHENOL PART NUMBER DESIGNATOR		CONNECTOR SHELL SIZE	A DIA. (MAX)		B DIA.		C (MAX)		D (MAX)		E (MAX)		F (MAX)		G (MAX)	
SHELL SIZE	ENTRY SIZE		INCH	MM	+0.00 -0.02	+0.00 -0.50	INCH	MM	INCH	MM	INCH	MM	INCH	MM	INCH	MM
08	01	8 / 9	0.86	21.82	N/A	N/A	0.87	22.10	1.16	29.46	1.38	34.93	1.42	35.99	N/A	N/A
	02				0.26	6.60									0.56	14.22
10	01	10 / 11	0.99	25.04	N/A	N/A	0.90	22.86	1.19	30.23	1.44	36.50	1.48	37.59	N/A	N/A
	02				0.32	8.13									0.63	16.00
12	01	12 / 13	1.16	29.36	0.32	8.13	0.92	23.37	1.21	30.73	1.56	39.67	1.55	39.45	0.63	16.00
	02				0.45	11.43									0.75	19.05
14	01	14 / 15	1.28	32.54	0.45	11.43	0.95	24.13	1.24	31.50	1.69	42.85	1.61	41.00	0.75	19.05
	02				0.57	14.48									0.89	22.61
16	01	16 / 17	1.41	35.71	0.51	12.95	0.98	24.89	1.26	32.00	1.75	44.45	1.68	42.62	0.82	20.83
	02				0.64	16.26									0.95	24.13
18	01	18 / 19	1.52	38.51	0.64	16.26	0.98	24.89	1.27	32.26	1.88	47.63	1.73	44.02	1.07	27.18
	02				0.76	19.30									0.95	24.13
20	01	20 / 21	1.64	41.68	0.64	16.26	1.01	25.65	1.30	33.02	1.94	49.23	1.80	45.62	0.95	24.13
	02				0.82	20.83									1.13	28.07
22	01	22 / 23	1.77	44.86	0.70	17.78	1.04	26.42	1.33	33.78	2.06	52.37	1.86	47.22	1.02	25.99
	02				0.95	24.13									1.26	32.00
24	01	24 / 25	1.89	48.03	0.76	19.30	1.07	27.18	1.35	34.29	2.13	53.98	1.92	48.74	1.07	27.18
	02				1.01	25.65									1.32	33.53

# Mouser Electronics

Authorized Distributor

Click to View Pricing, Inventory, Delivery & Lifecycle Information:

## Amphenol:

[M85049/27-10W](#) [M85049/27-14W](#) [M85049/27-20W](#) [M85049/27-22W](#) [M85049/31-14N](#) [M85049/31-14W](#)  
[M85049/31-18N](#) [M85049/31-20N](#) [M85049/31-20W](#) [M85049/31-22N](#) [M85049/31-24N](#) [M85049/82-12N03](#) [M85049/82-18N03](#) [M85049/82-18W03](#) [M85049/83-20W03](#) [M85049/84-12N03](#) [M85049/84-18W03](#) [M85049/84-22W02](#)  
[M85049/84-22W03](#) [M85049/85-14W01](#) [M85049/85-14W02](#) [M85049/85-16W02](#) [M85049/85-24W02](#) [M85049/87-14W02](#) [M85049/87-16W02](#) [M85049/88-11N03](#) [M85049/88-11W03](#) [M85049/88-13N03](#) [M85049/88-13W03](#)  
[M85049/88-15N03](#) [M85049/88-15W02](#) [M85049/88-15W03](#) [M85049/88-17N02](#) [M85049/88-17N03](#) [M85049/88-17W02](#) [M85049/88-19N03](#) [M85049/88-19W03](#) [M85049/88-21N03](#) [M85049/88-23N03](#) [M85049/88-25N02](#) [M85049/88-9N03](#)  
[M85049/88-9W03](#) [M85049/89-11W03](#) [M85049/89-13W02](#) [M85049/89-15W03](#) [M85049/89-17N03](#) [M85049/89-17W03](#) [M85049/90-13N03](#) [M85049/90-15W02](#) [M85049/90-17W02](#) [M85049/90-19N03](#) [M85049/90-19W02](#)  
[M85049/90-21W02](#) [M85049/90-23W03](#) [M85049/90-25W02](#) [M85049/90-9N03](#) [M85049/90-19N02](#) [M85049/88-17W03](#) [M85049/90-9W03](#) [M85049/90-15W03](#) [M85049/90-11W03](#) [M85049/88-21W02](#)