

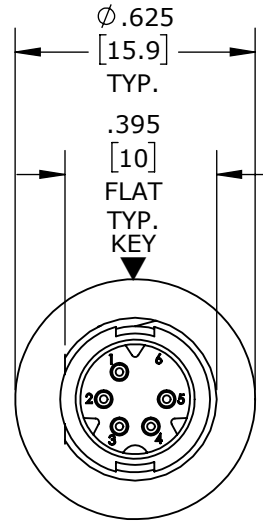
CUSTOMER PRINT

PART NUMBER: W17980-XPG-P-300

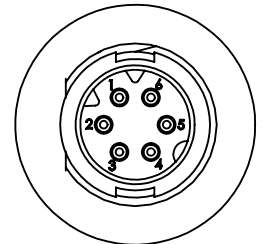
MFG. ENG.	APPROVED BY:	DATE:	QA	APPROVED BY:	DATE:
-----------	--------------	-------	----	--------------	-------

PART NO.	NO. OF PINS
W17980-5PG-P-300	5
W17980-6PG-P-300	6
W17980-7PG-P-300	7

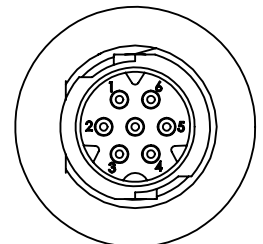
- NOTES:
1. ALL PARTS ARE BULK PACKED.
 2. REFER TO DRAWING HPMCSTD FOR CONTACT PATTERNS.
 3. ALL DIMENSIONS ARE REFERENCE ONLY IN INCHES [mm], WITHIN ±0.015 UNLESS OTHERWISE NOTED.



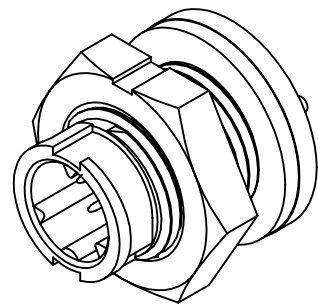
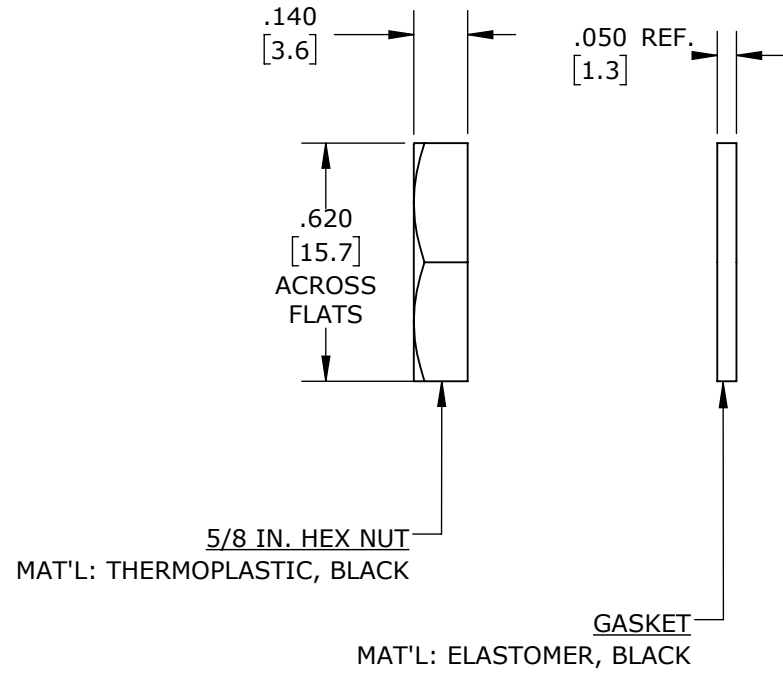
FACE VIEW
W17980-5PG-P-300
5 POSITION
A-KEY



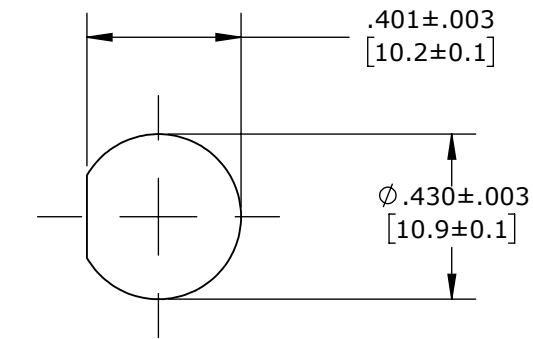
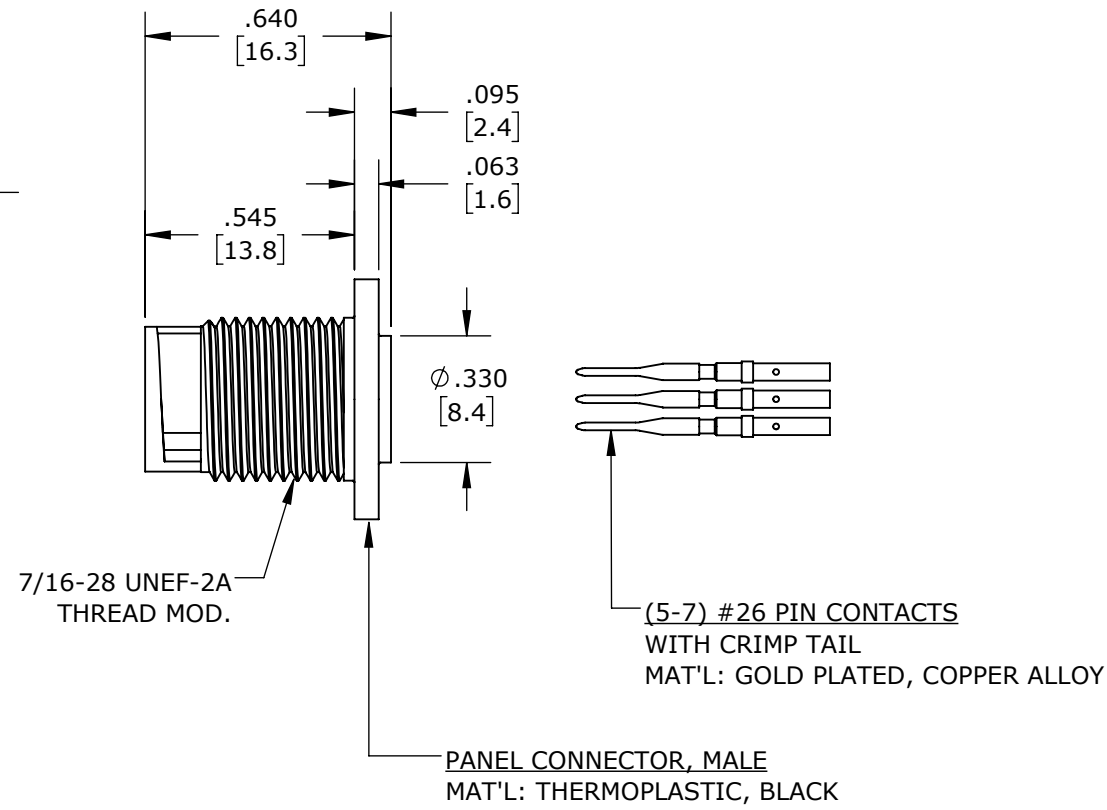
FACE VIEW
W17980-6PG-P-300
6 POSITION
B-KEY



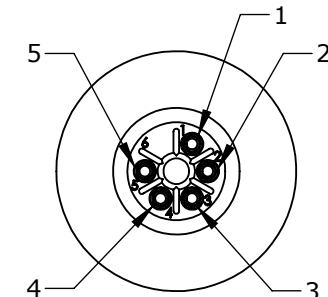
FACE VIEW
W17980-7PG-P-300
7 POSITION
A-KEY



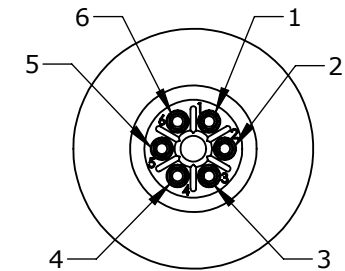
ASSEMBLED VIEW
FOR CUSTOMER REF. ONLY



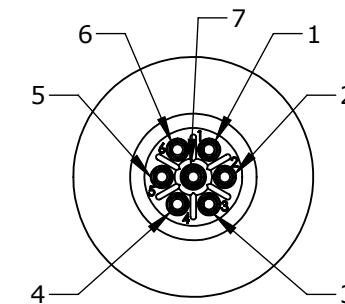
RECOMMENDED PANEL CUTOUT



WIRE VIEW
W17980-5PG-P-300



WIRE VIEW
W17980-6PG-P-300



WIRE VIEW
W17980-7PG-P-300

PRELIMINARY

DIMENSIONS IN BRACKETS [] ARE METRIC

CUSTOMER APPROVAL

THIS DOCUMENT CONTAINS CONFIDENTIAL INFORMATION PROPRIETARY TO CONXALL CORPORATION. ANY REPRODUCTION, DISCLOSURE, OR USE OF THIS DOCUMENT / INFORMATION IS EXPRESSLY PROHIBITED UNLESS AUTHORIZED IN WRITING BY CONXALL CORPORATION.

APPROVED BY: _____

DATE: _____

RoHS COMPLIANT

0A	JGK	8/14/19	DRAWING CREATED FOR PDR #18004.		
REV.	INIT.	DATE	DESCRIPTION		
			ALL INFORMATION ILLUSTRATED IS THE PROPERTY OF "CONXALL CORPORATION". UNAUTHORIZED DUPLICATION OR DISTRIBUTION OF THIS DOCUMENT IS PROHIBITED. ALL UNITS ARE IN FEET, INCHES, FRACTION OF INCHES AND DECIMALS. UNLESS OTHERWISE SPECIFIED TOLERANCES: 3 PLACE DECIMALS ±.005 ANGLES ±1° FRACTIONS ±1/16 ▽ = CRITICAL CHARACTERISTIC FLAG PER SPEC. XXXX	ORIG. DRAWN BY: JGK DATE: 8/14/19 CHECKED BY: APPROVED BY:	 601 E. WILDWOOD VILLA PARK, IL 60181 TITLE: PANEL MOUNT ASSEMBLY (5-7) #26 PIN CONTACTS, CRIMP TAIL INSTA-CLICK, MICRO-CON-X STANDARD PRODUCT CUSTOMER:
SCALE	SIZE	SHEET	PART NUMBER: W17980-XPG-P-300		
NTS	B	1 OF 1	DIRECTORY: SLW	REV 0A	

Mouser Electronics

Authorized Distributor

Click to View Pricing, Inventory, Delivery & Lifecycle Information:

[Switchcraft:](#)

[W17980-7PG-P-300](#) [W17980-5PG-P-300](#) [W17980-6PG-P-300](#)